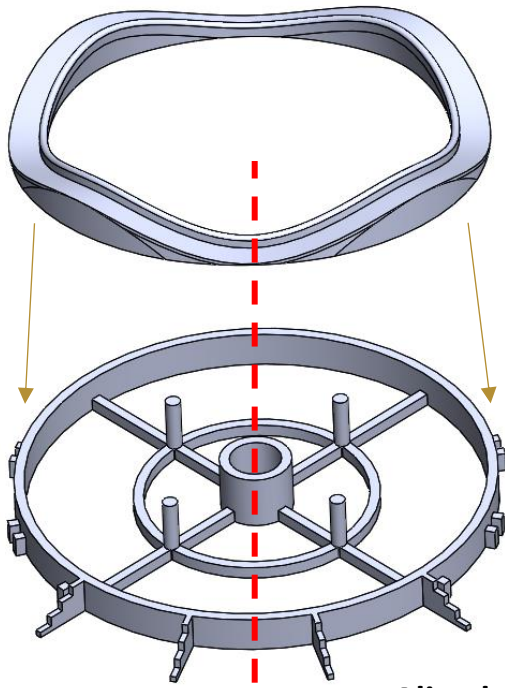
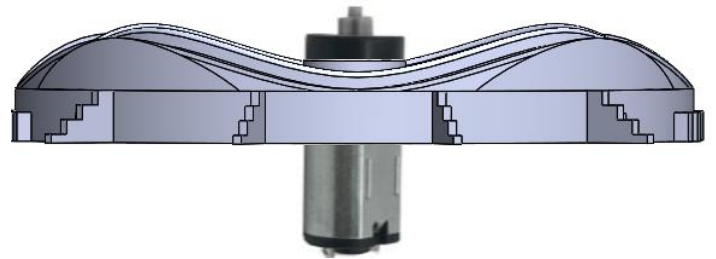
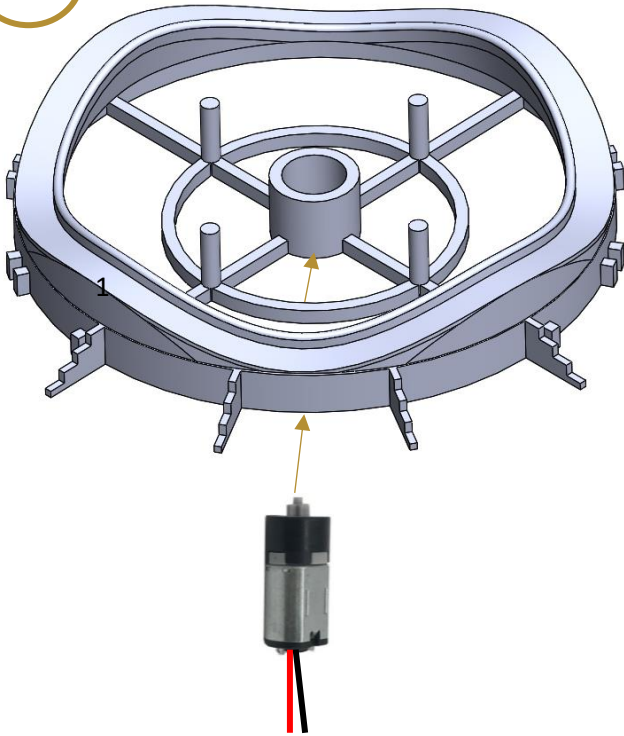


1

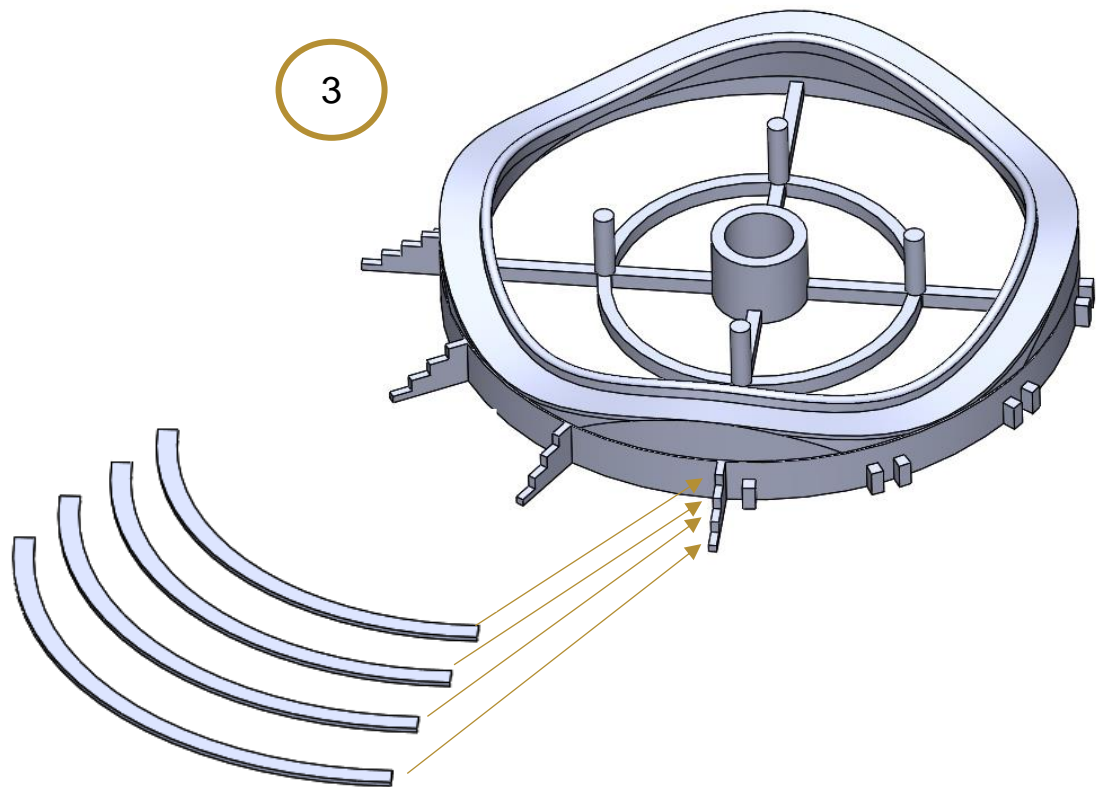


Align lowest section with ride centre

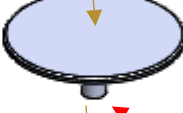
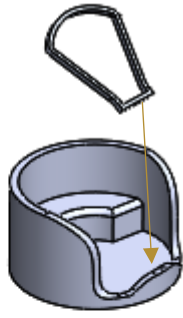
2



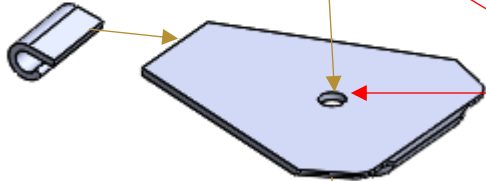
3



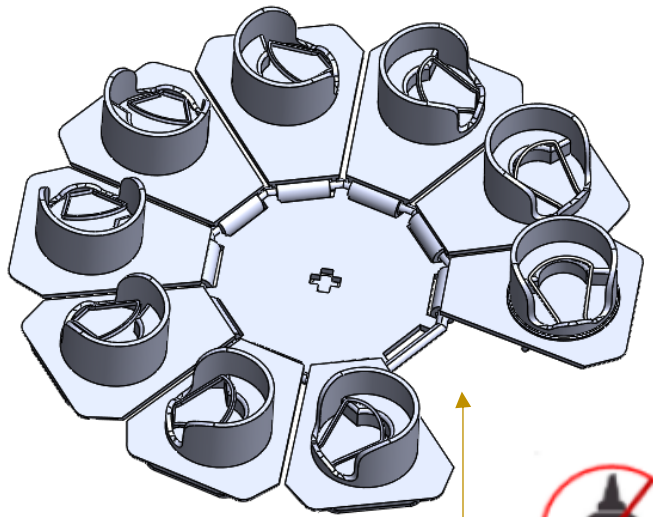
4



x10

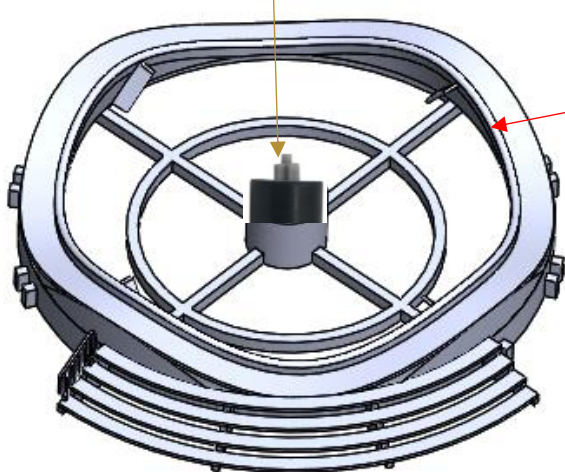
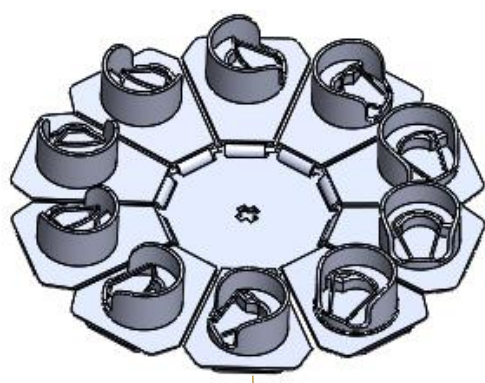


5



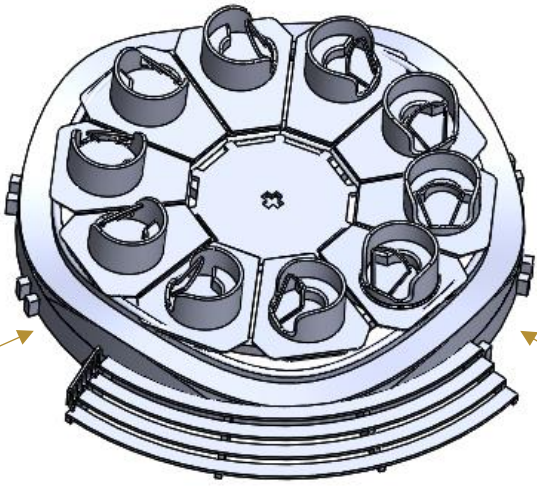
• Ensure cars can freely rotate

6



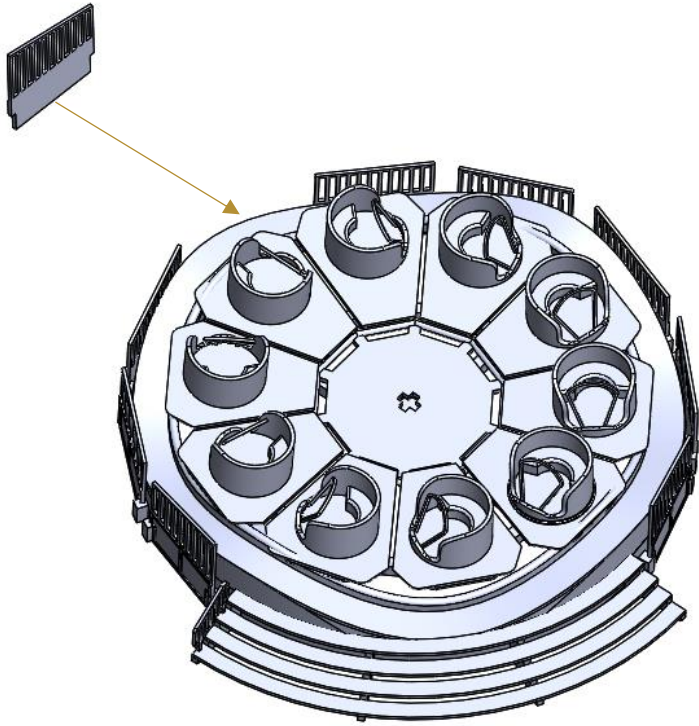
- Sand upstanding edge for smoother running
- Lubrication optional

7

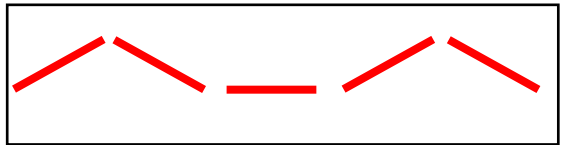


Front fence pieces are shorter, ensure correct ones are used here.

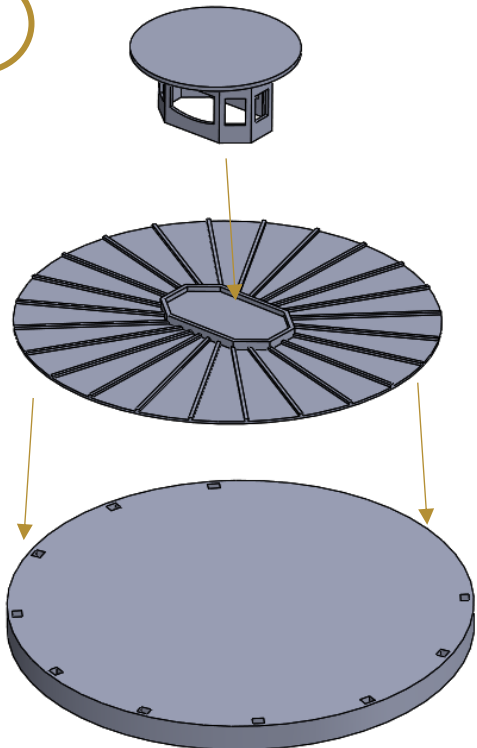
8



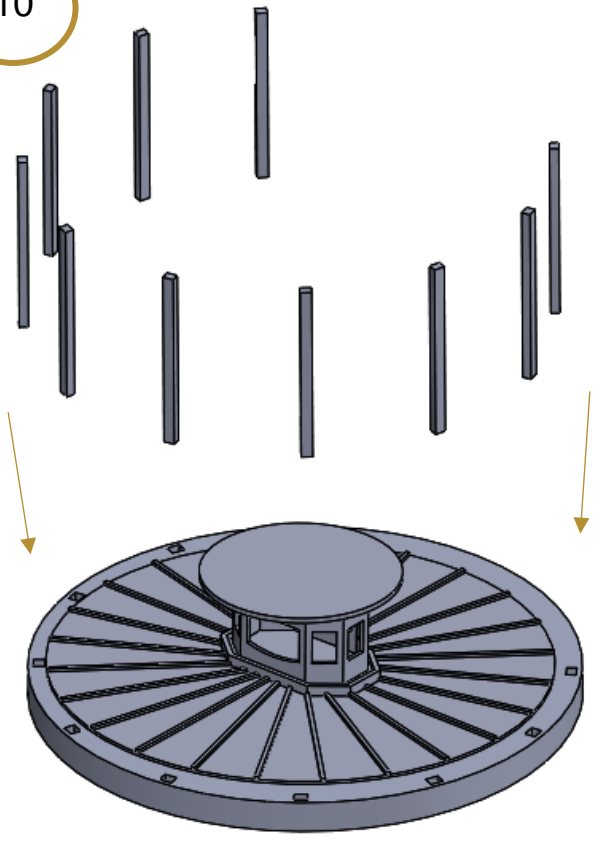
Fence Pattern:



9



10



11

