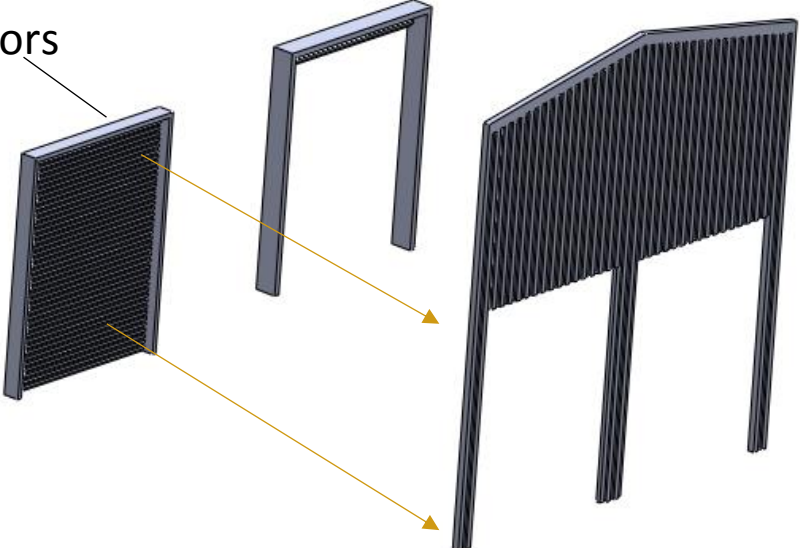


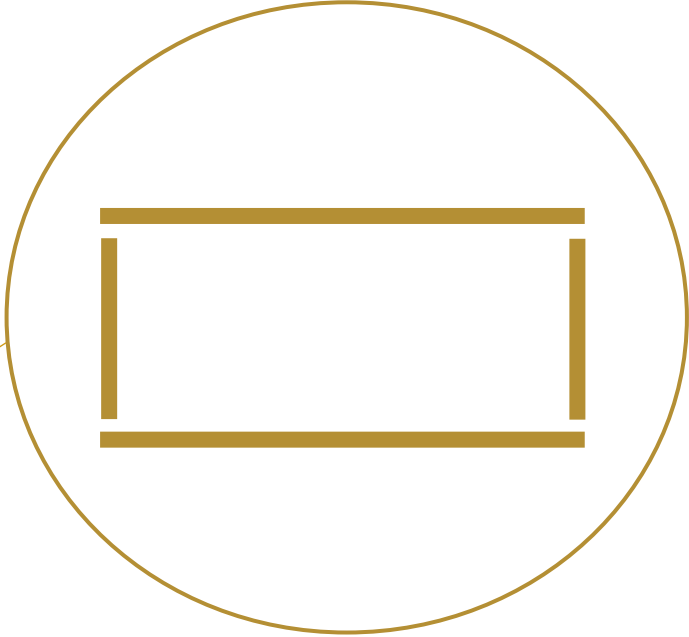
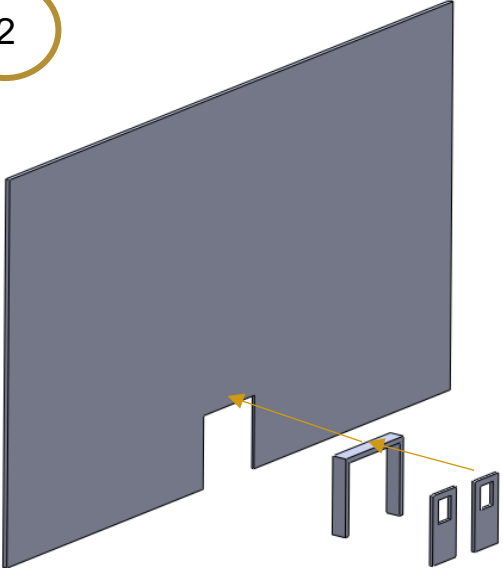
1

Open Doors

Closed Doors



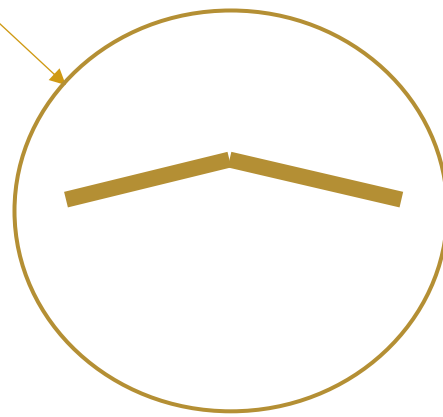
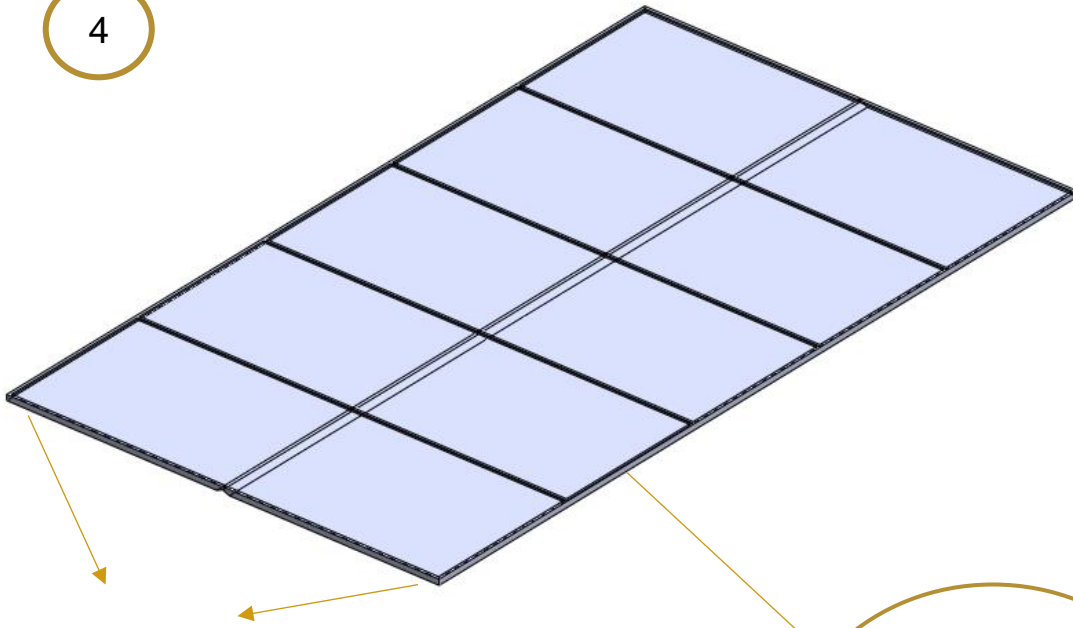
2



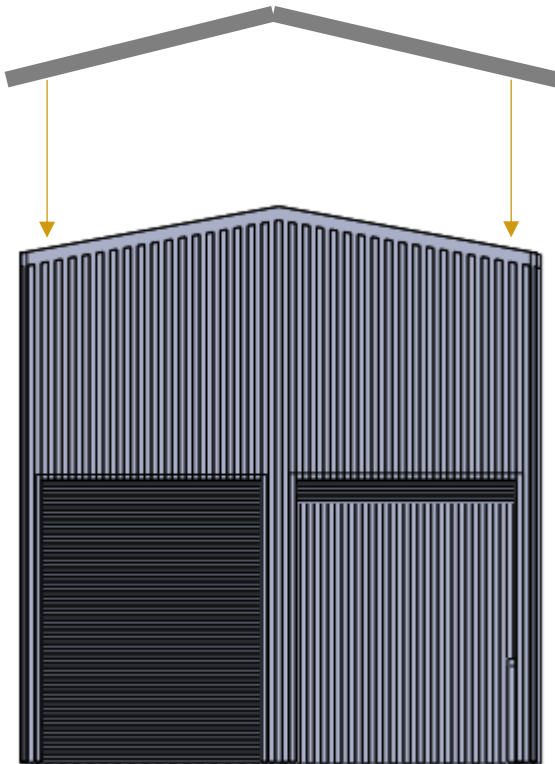
3



4



5



D A P R