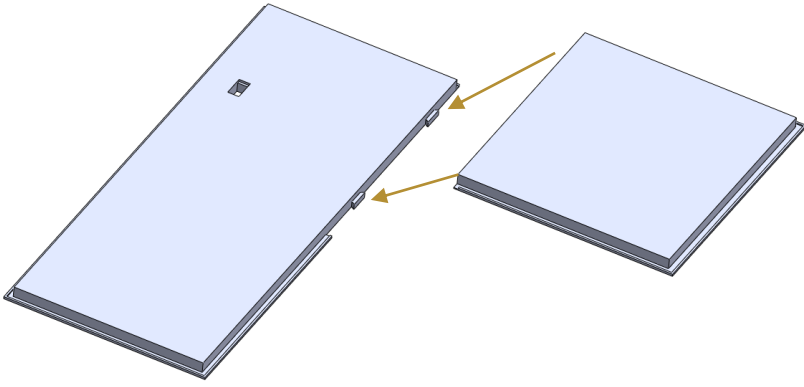
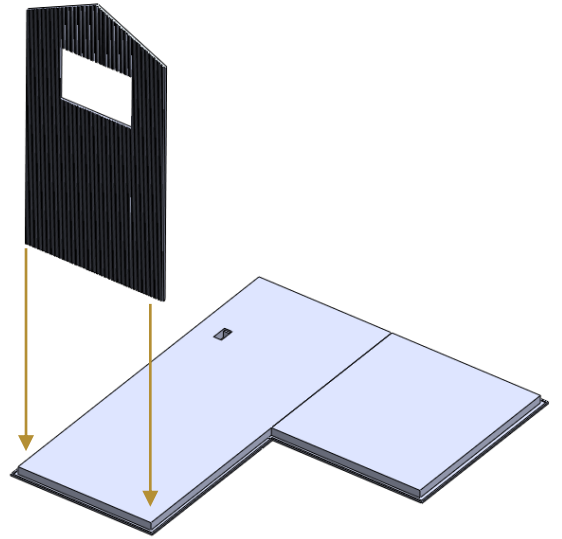


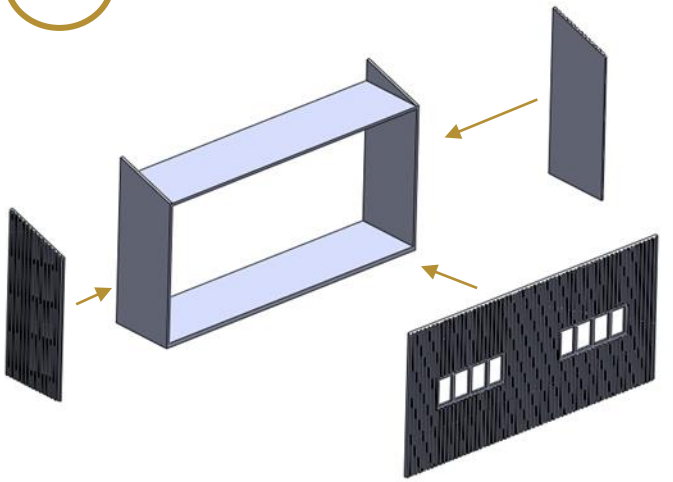
1



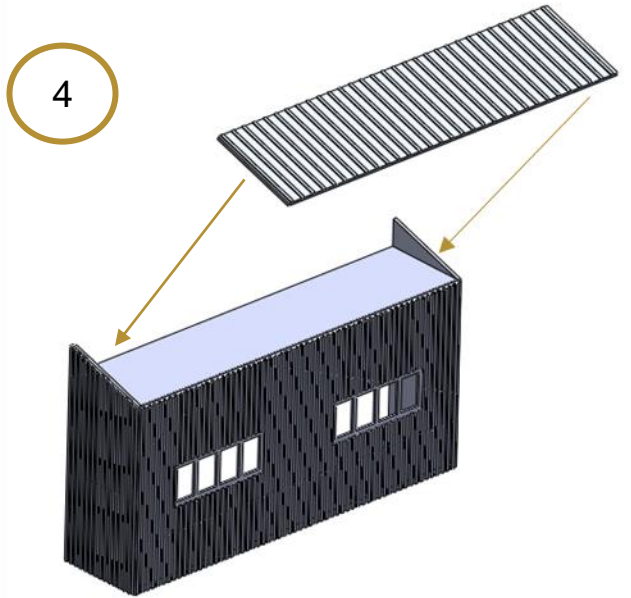
2



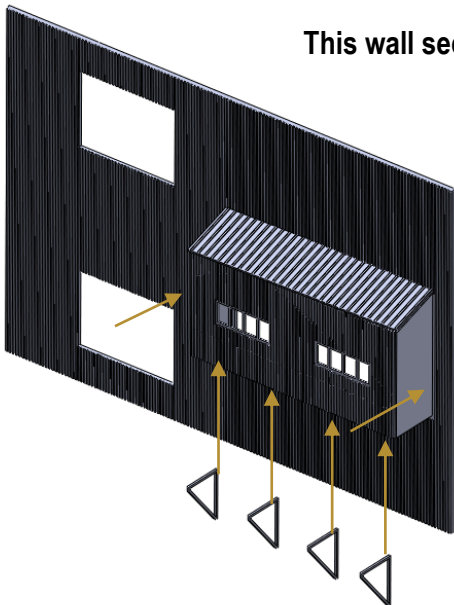
3



4

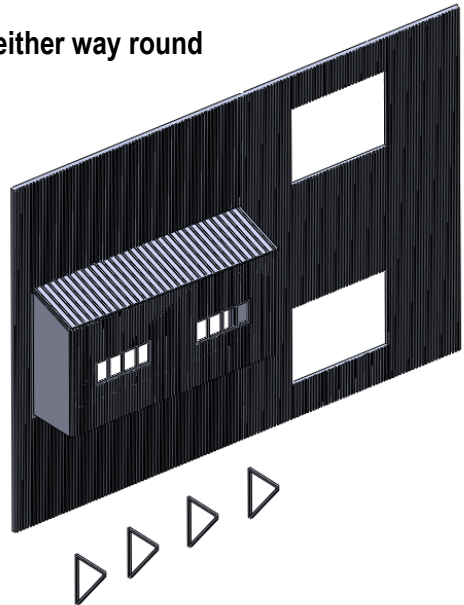


5

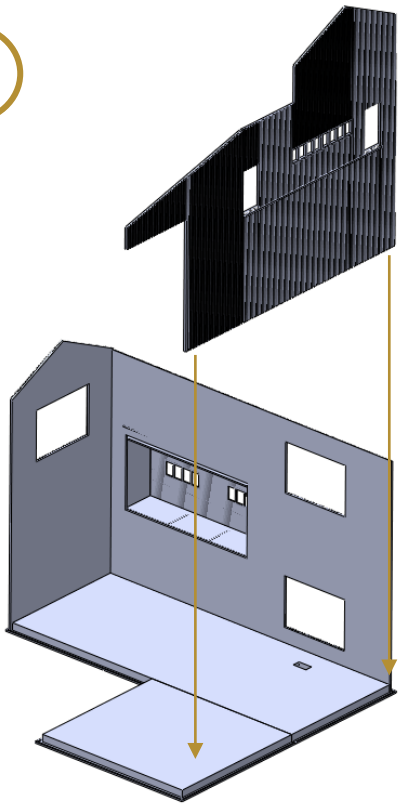


This wall section can be arranged either way round

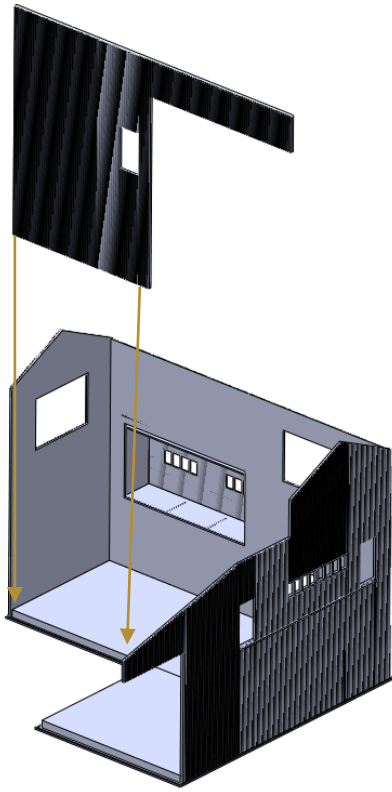
OR



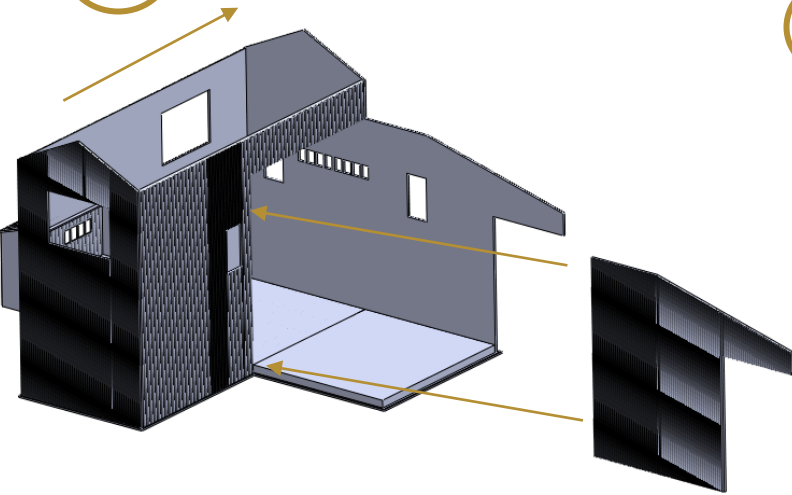
6



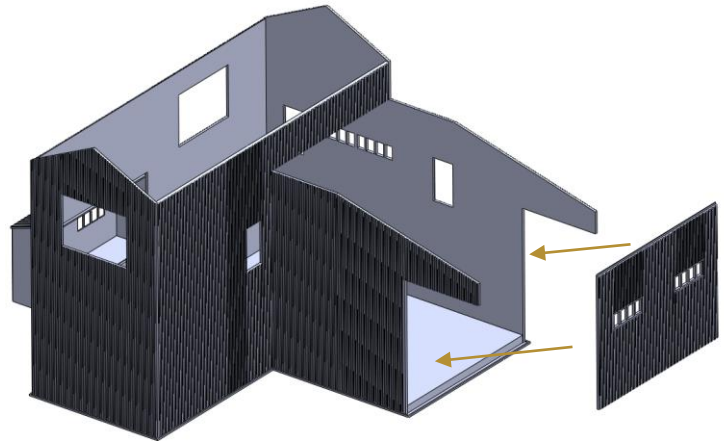
7



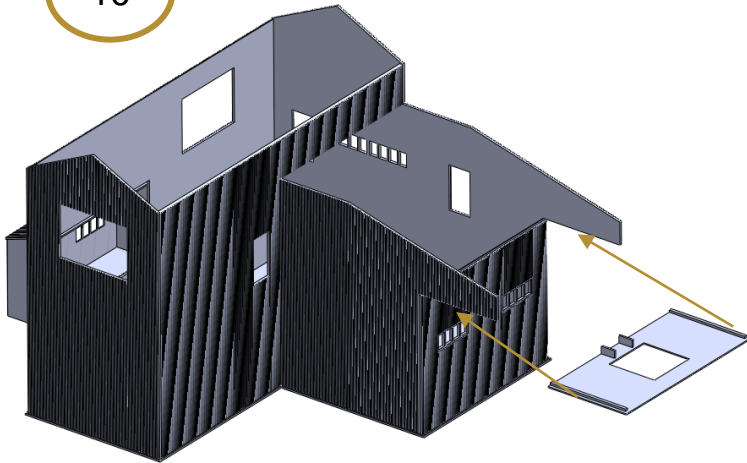
8



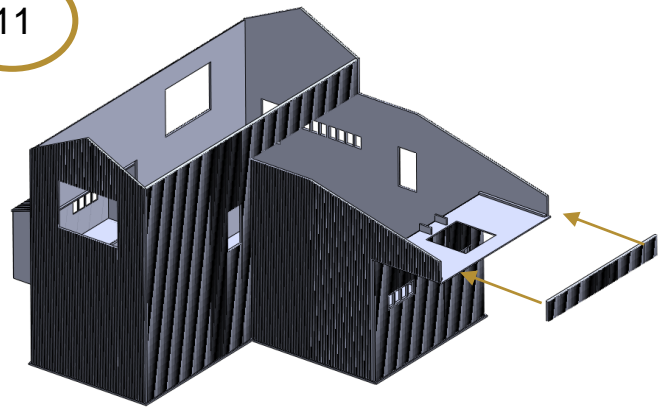
9



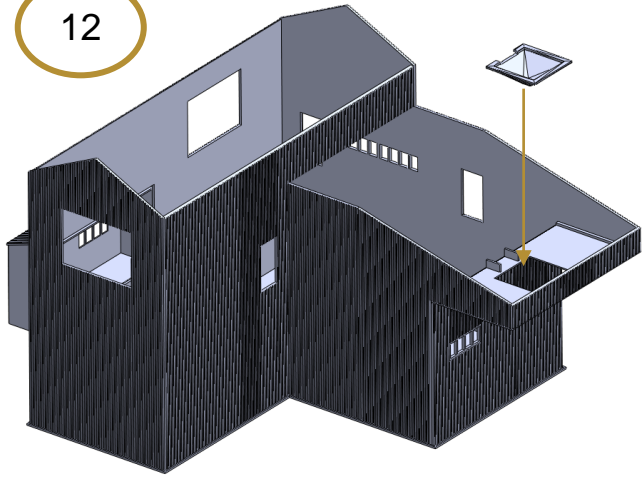
10



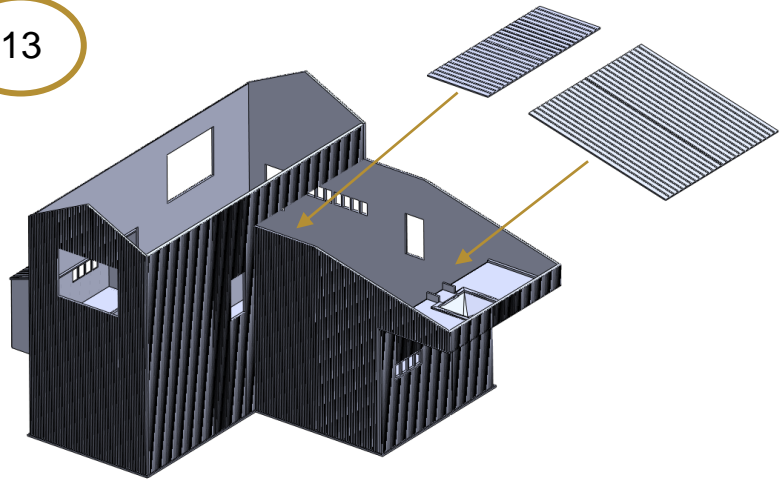
11



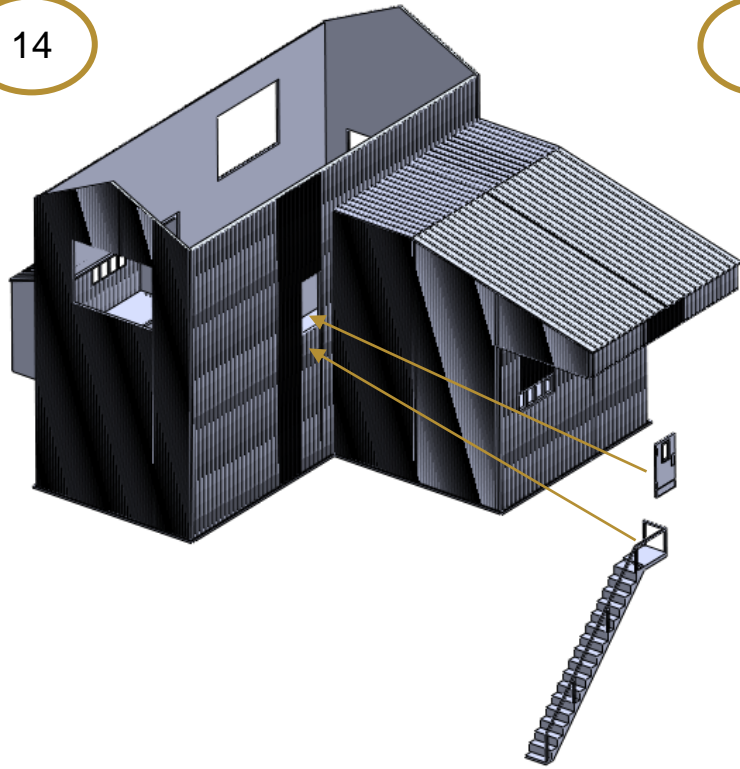
12



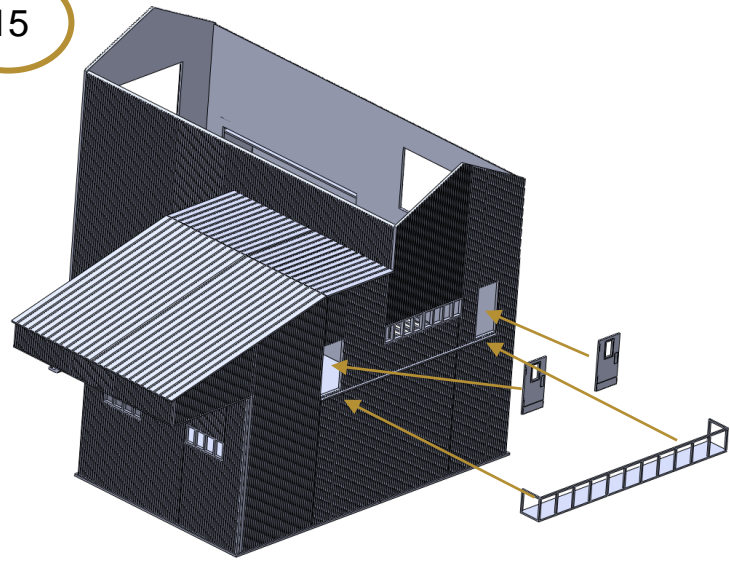
13



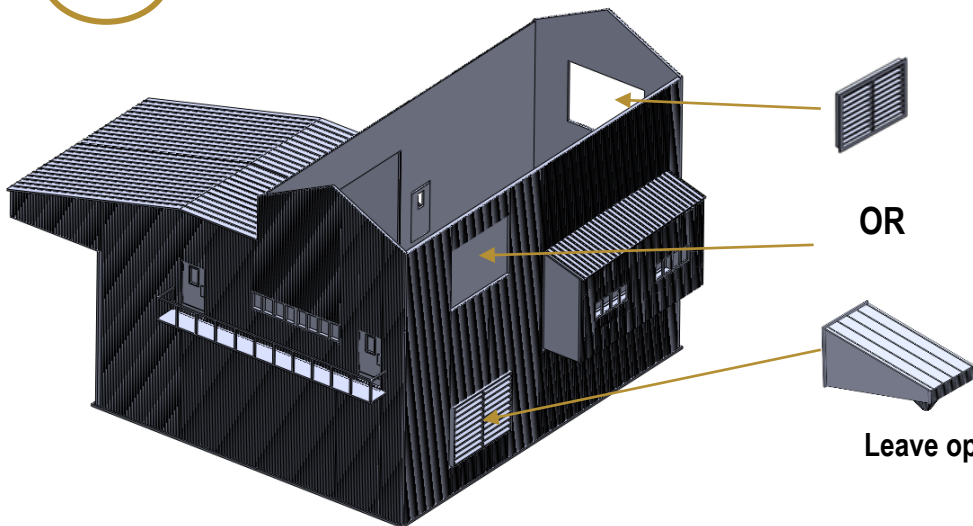
14



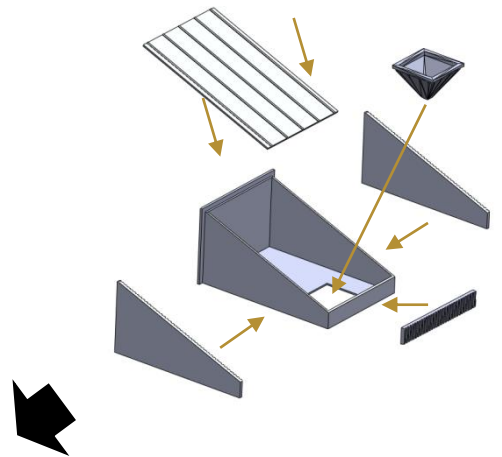
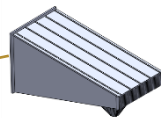
15



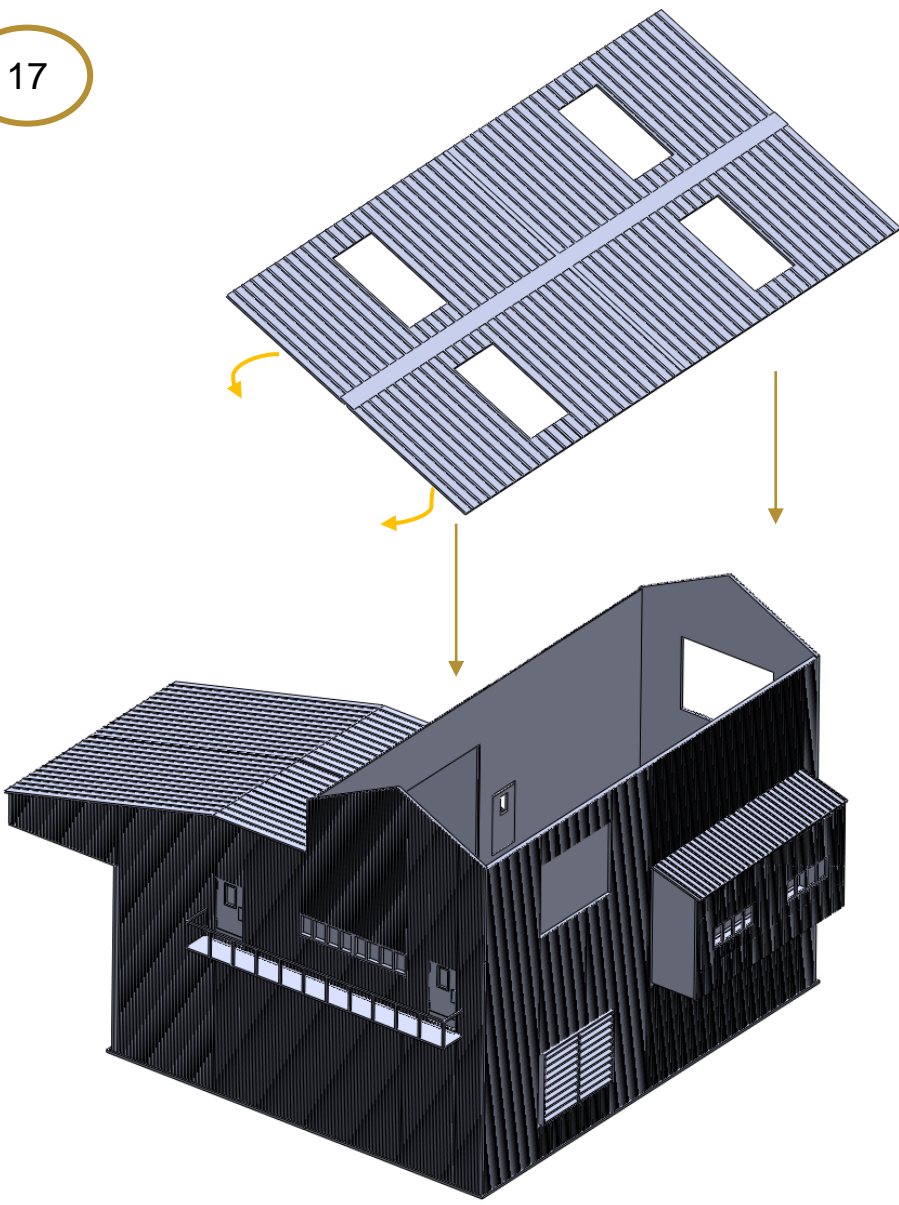
16

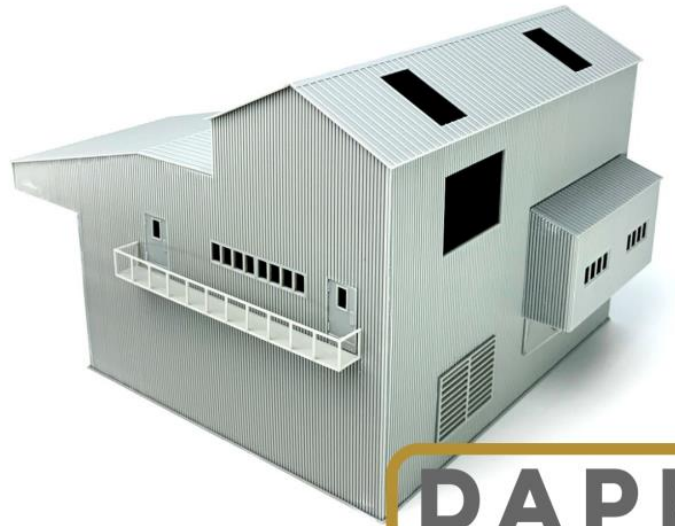


OR



Leave openings clear if using conveyors





DAPR