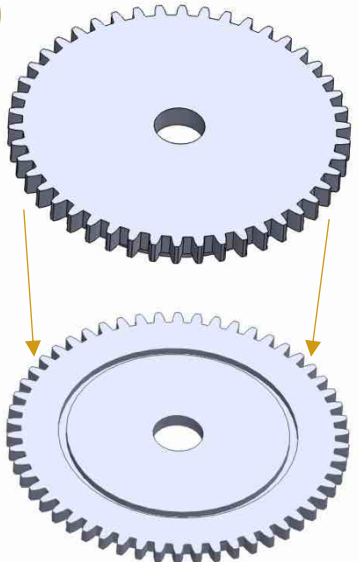
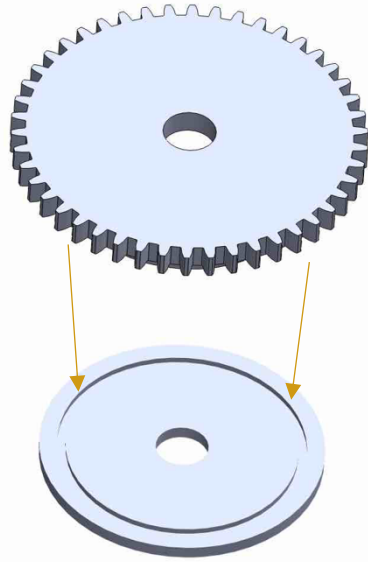


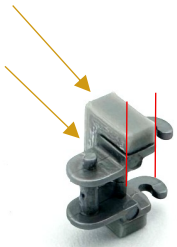
6



7



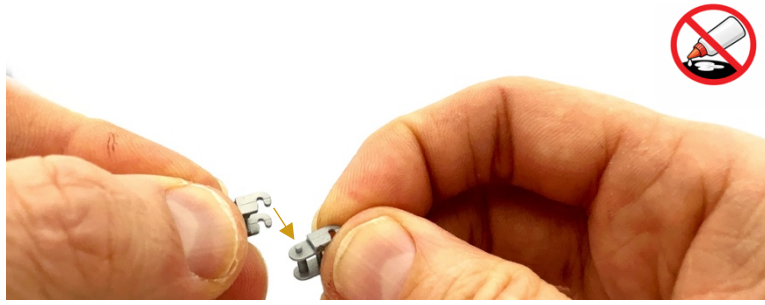
8A



Secure C clips to chain links, ensure they align with the link edge, these links dictate the car locations.

8B

The chain requires **73** links; the kit is supplied with spares.



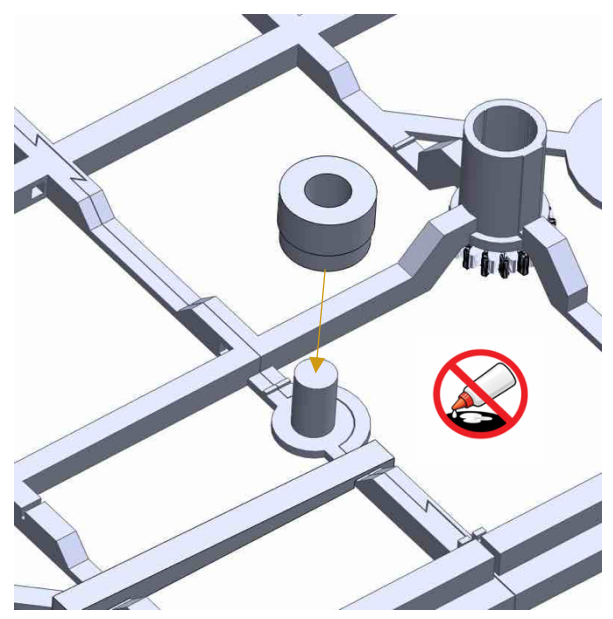
8C

Remember to include the links with C clips, arrange them to suit your desired car positions.



Once assembled, ensure all links move freely, if a link is too tight, replace with one of the spares provided, we also recommend lubricating the complete chain.

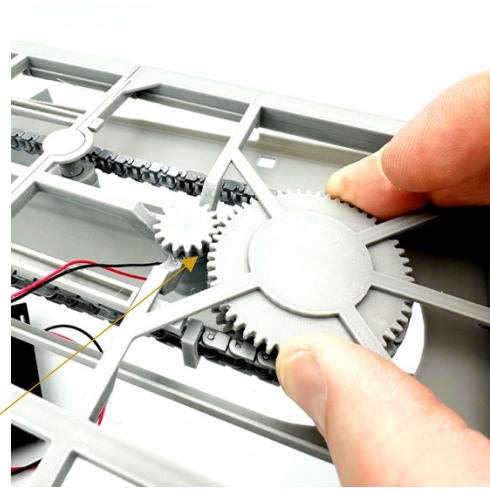
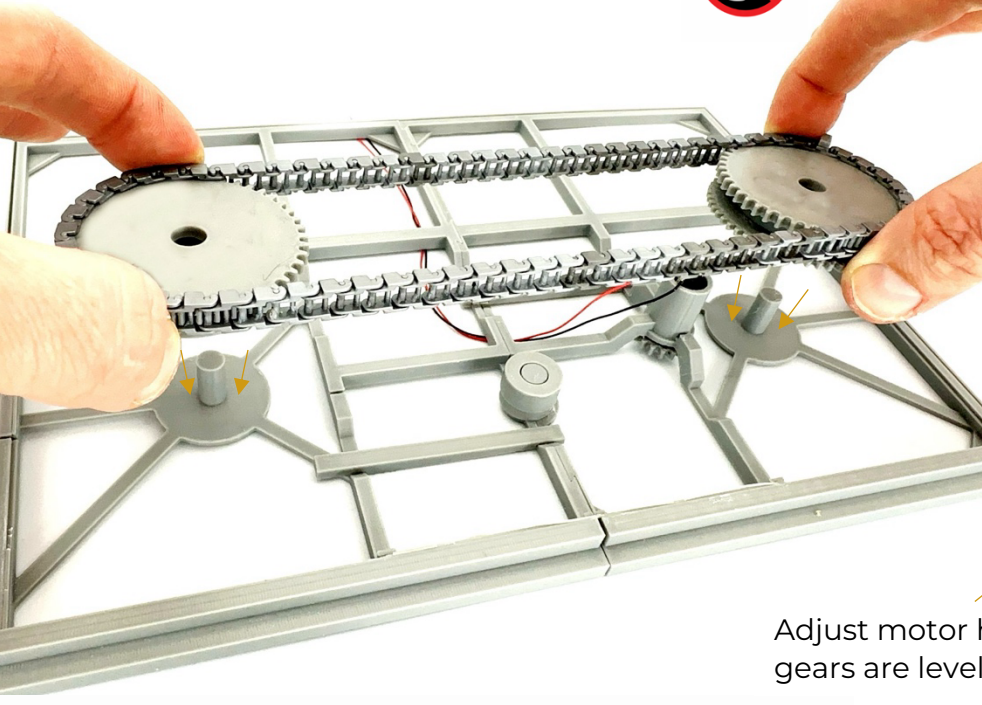
9



10

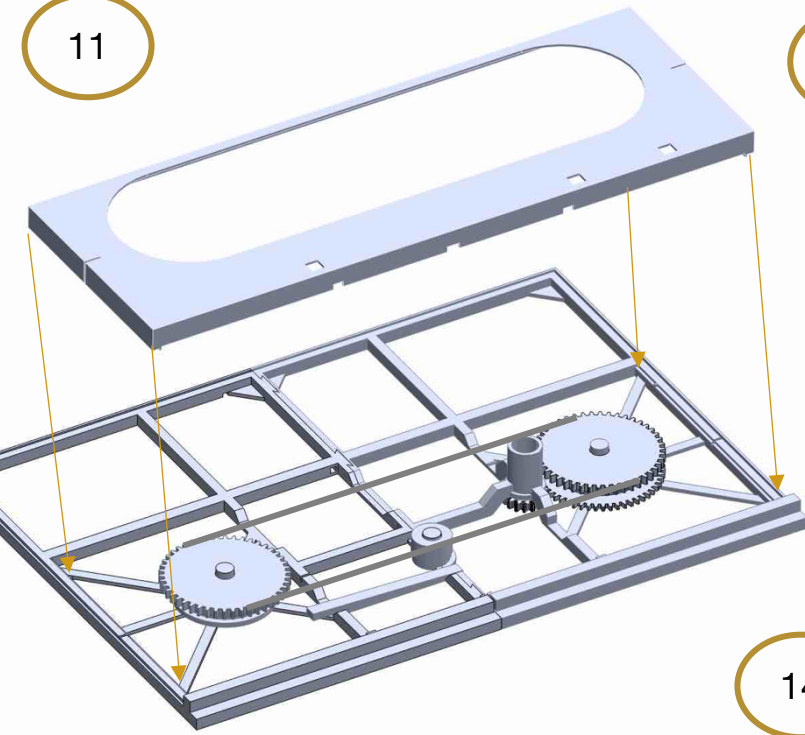


Lower gears into place, engage the drive gear and test run. We recommend lubricating the gears.

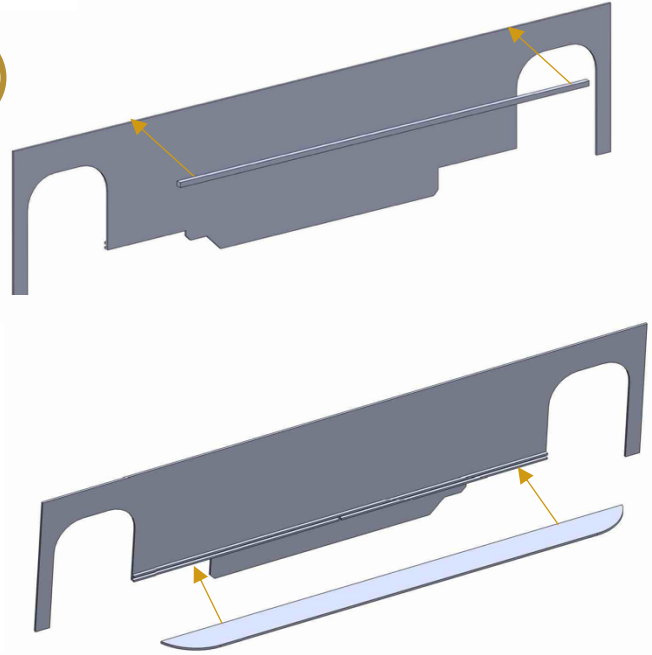


Adjust motor height to ensure drive gears are level.

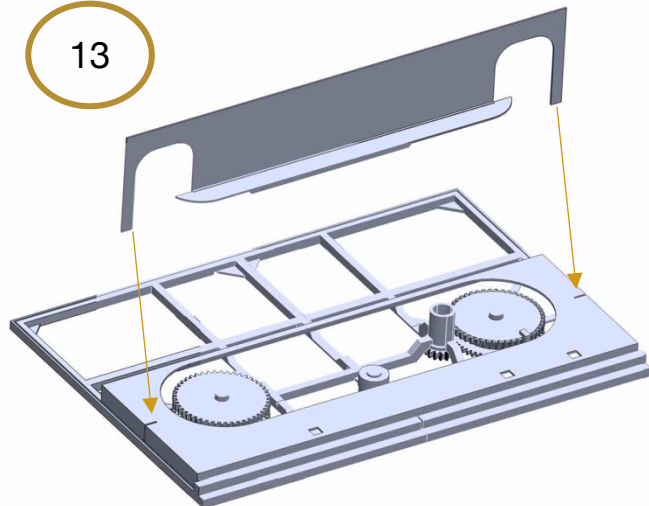
11



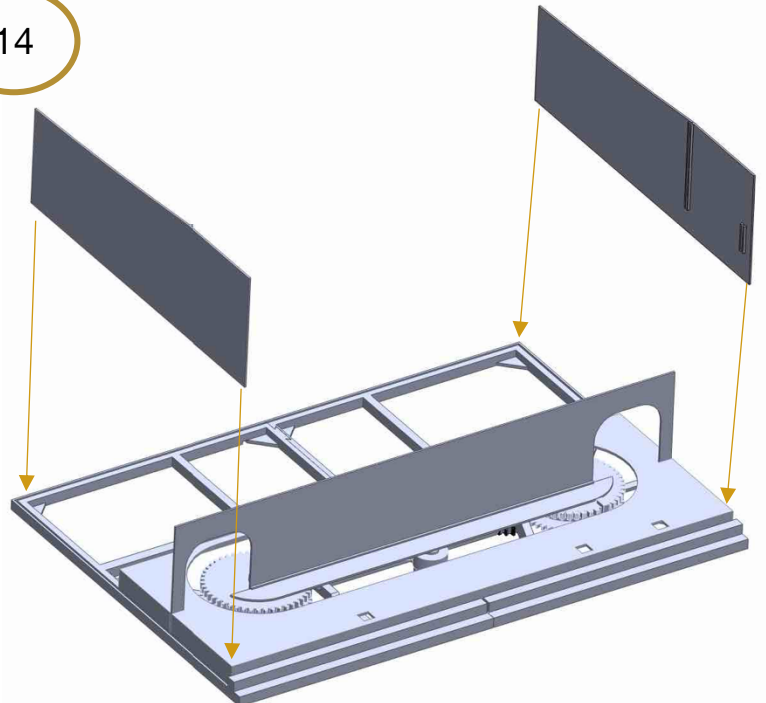
12

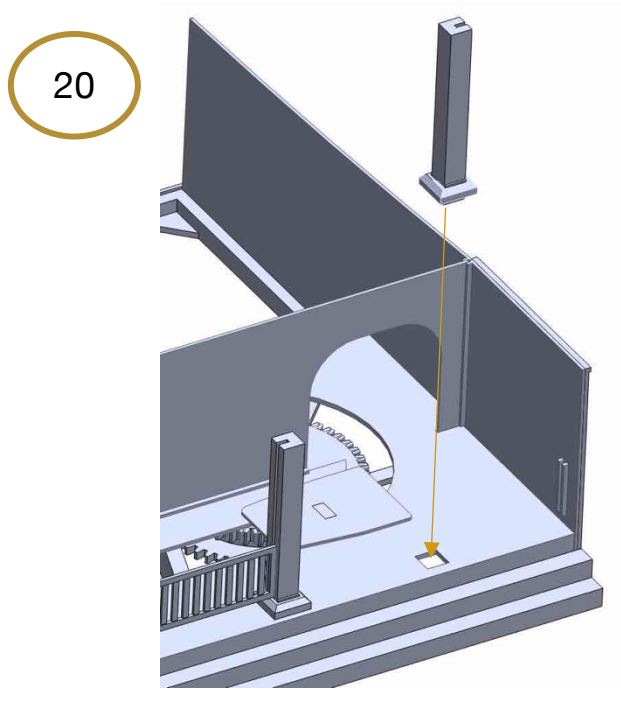
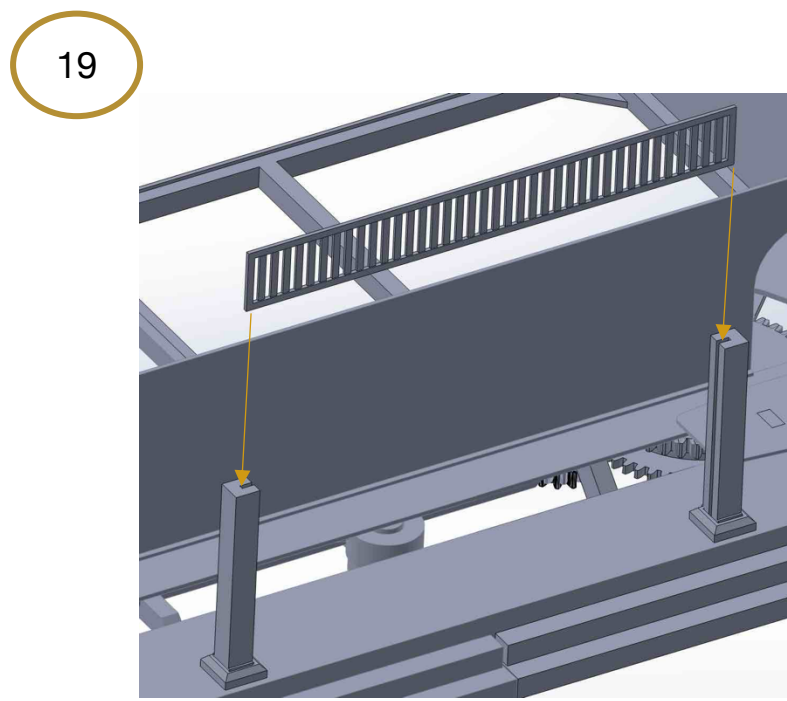
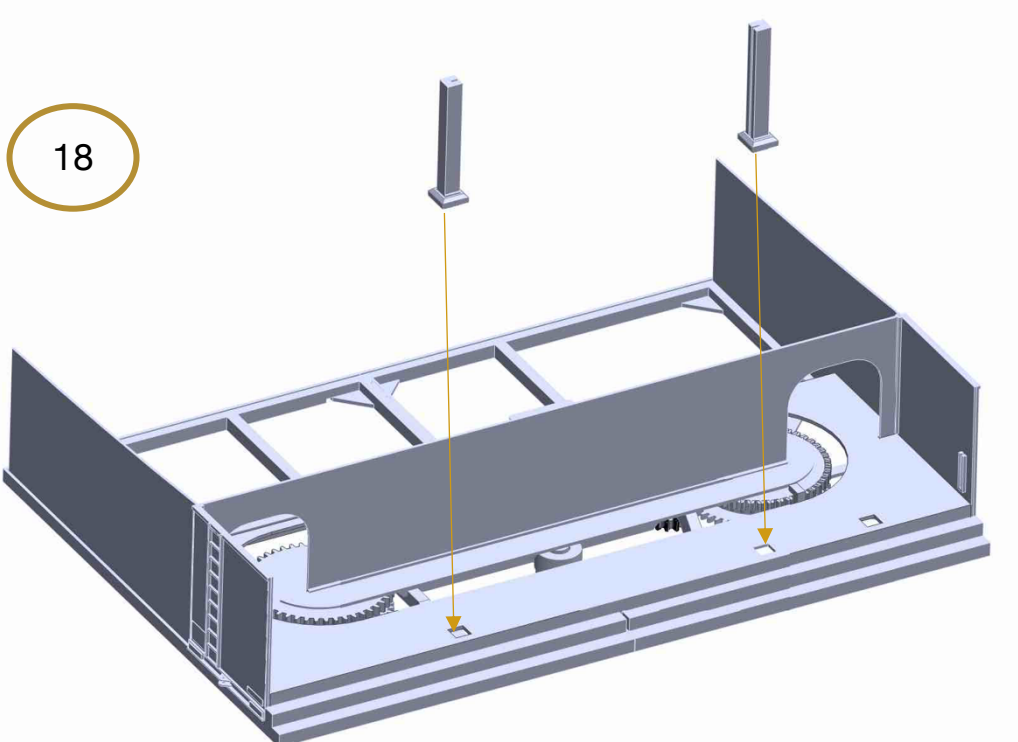
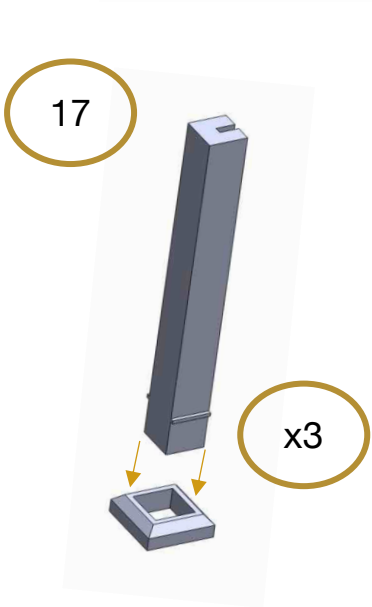
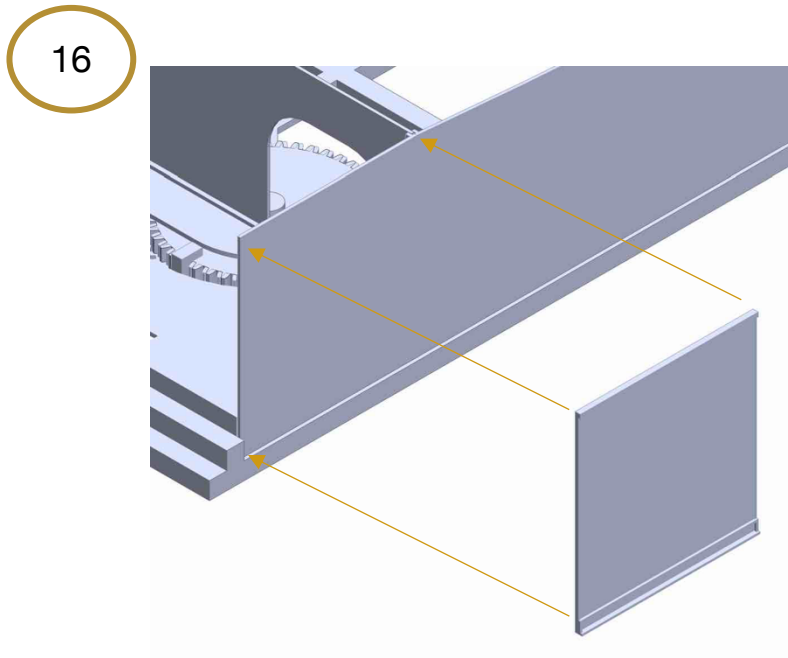
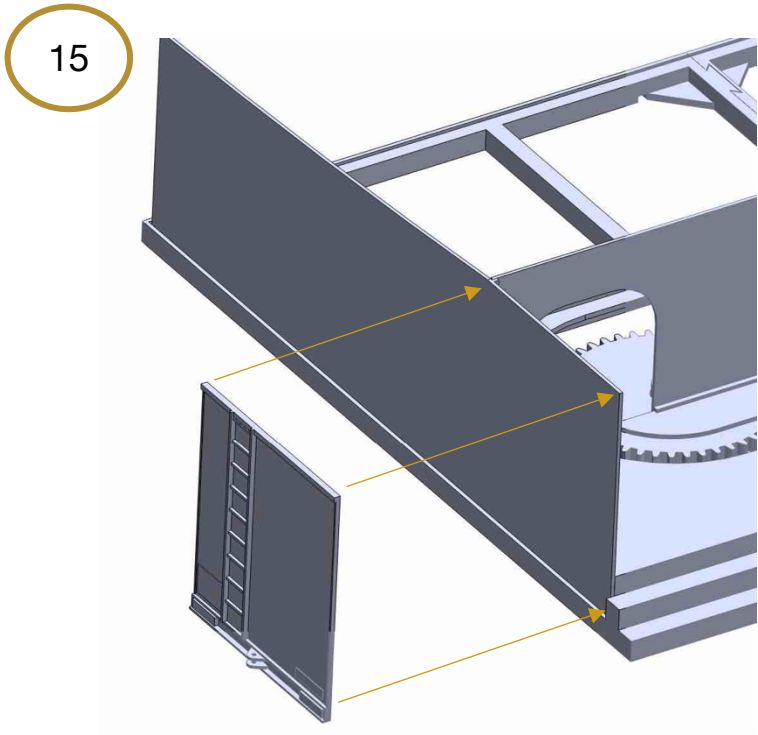


13

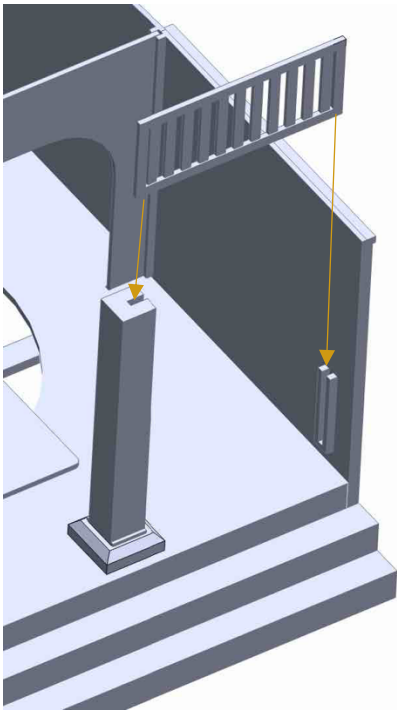


14

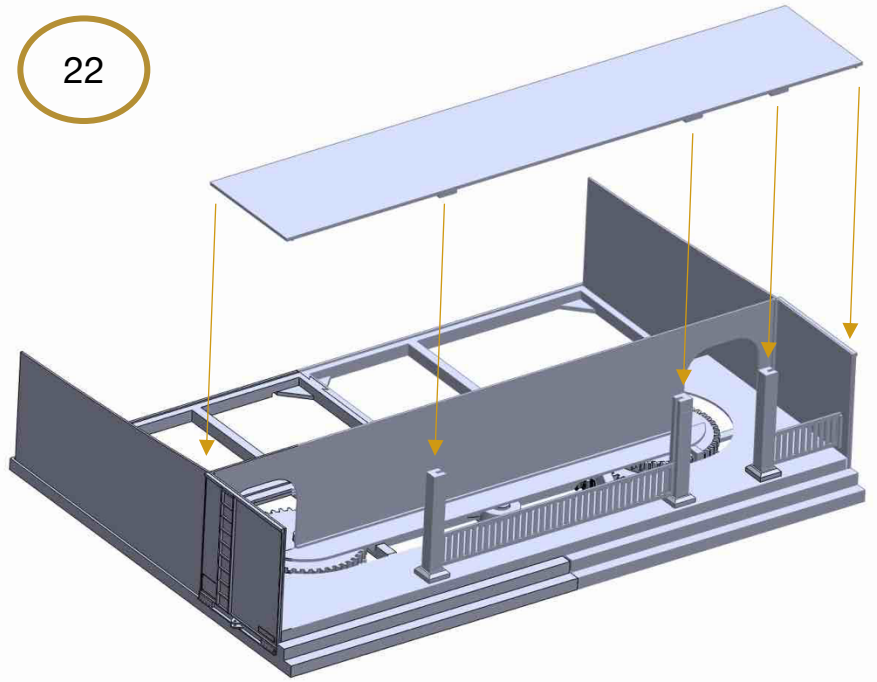




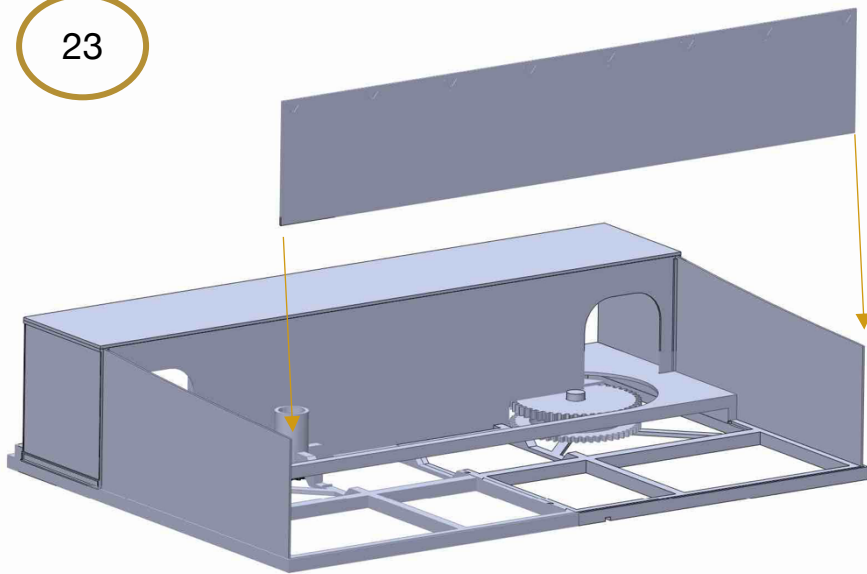
21



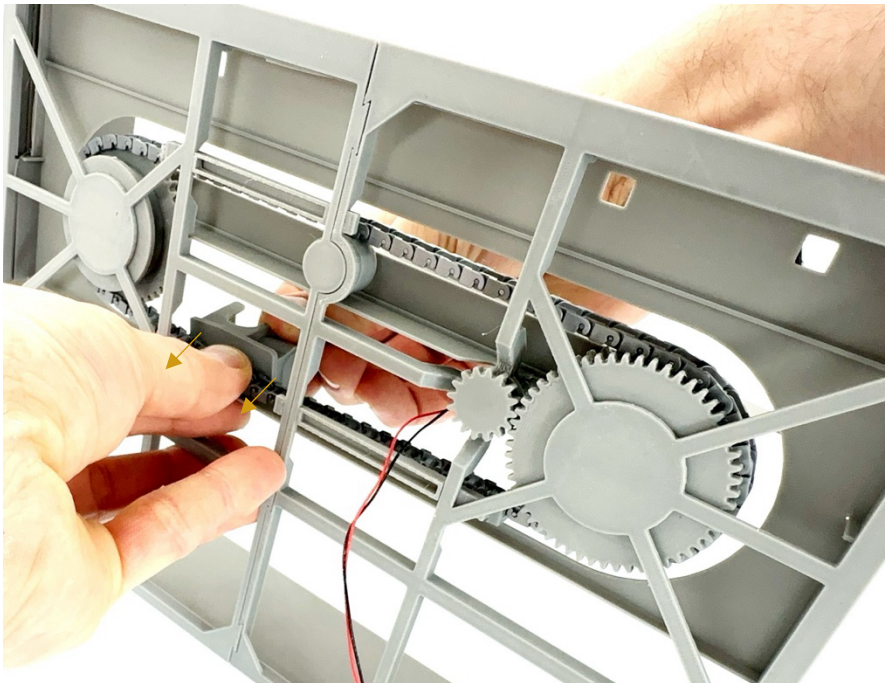
22



23



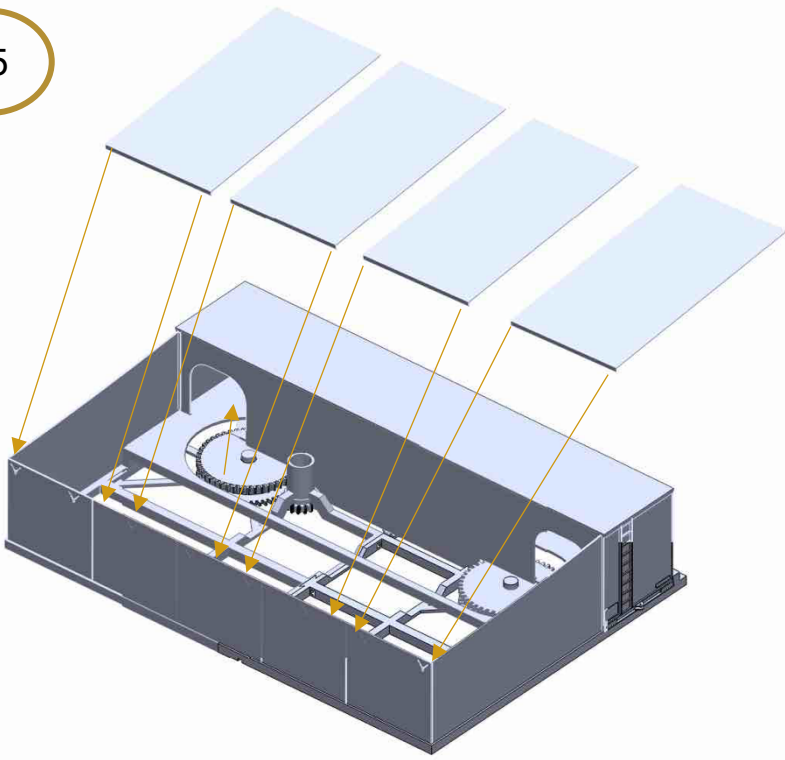
24



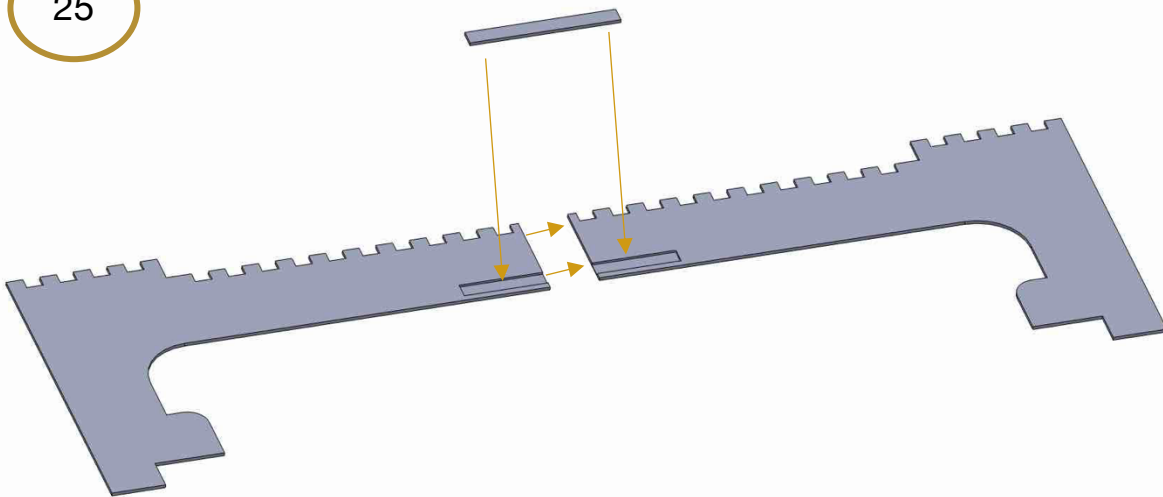
Run the motor to position each C clip chain link at the rear of the ride where it is accessible.

Supporting it from underneath, attach each car in place.

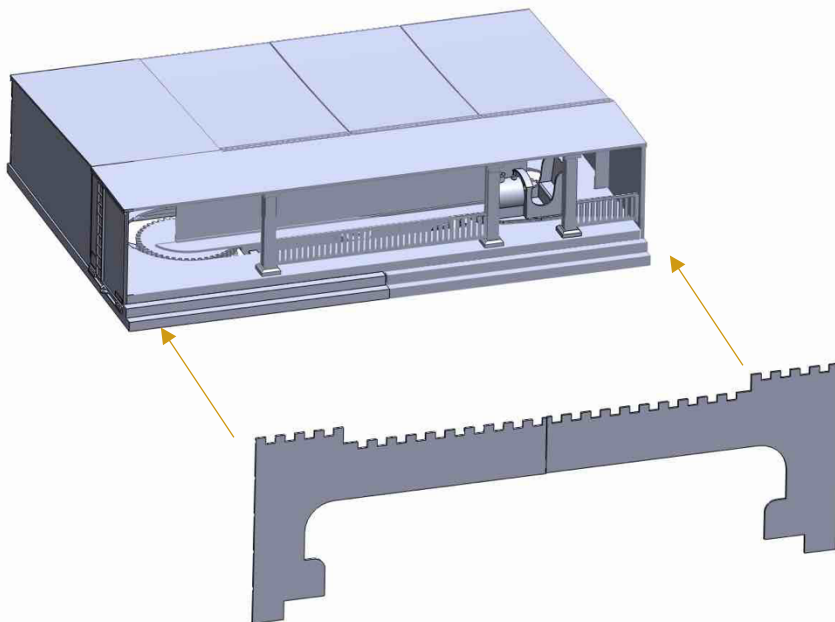
25

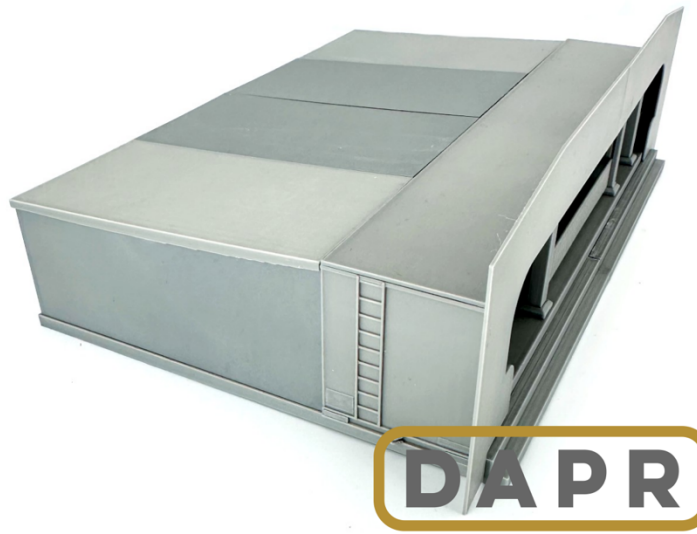
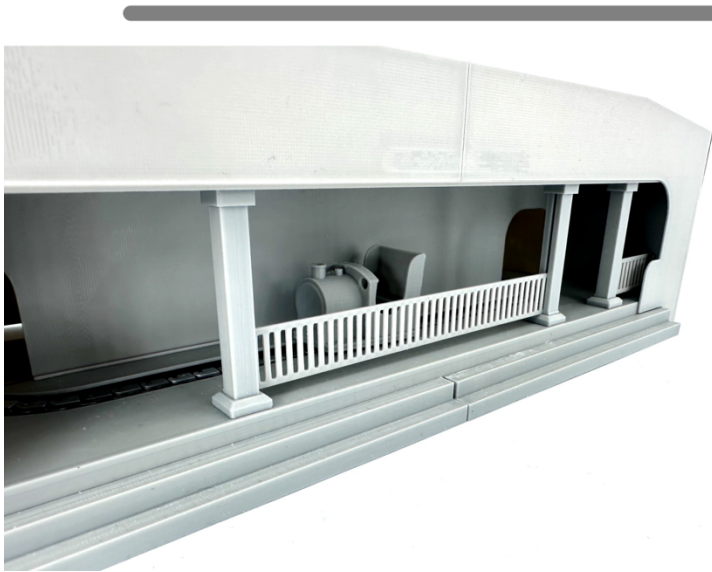
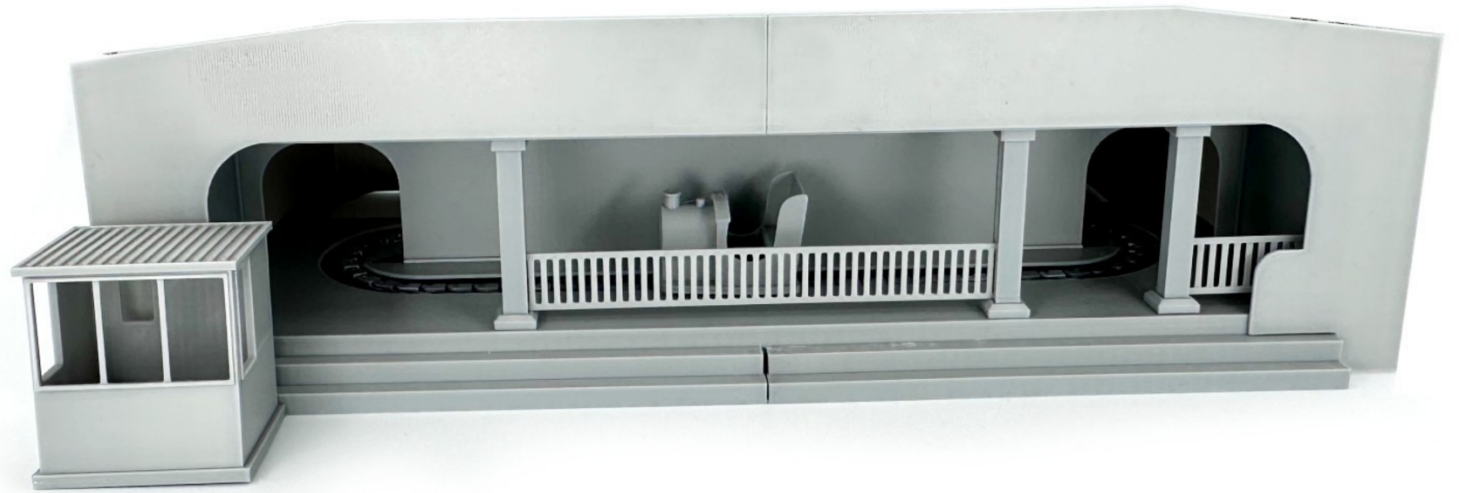


25



26





DAPR