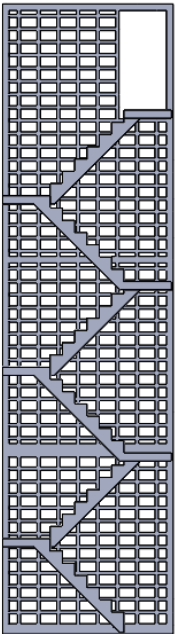
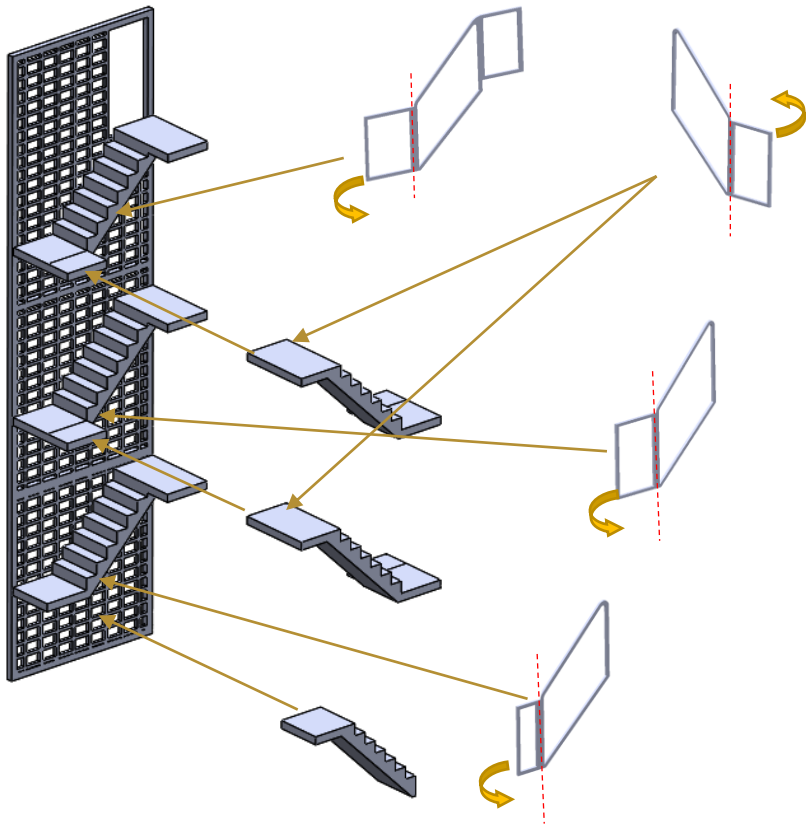


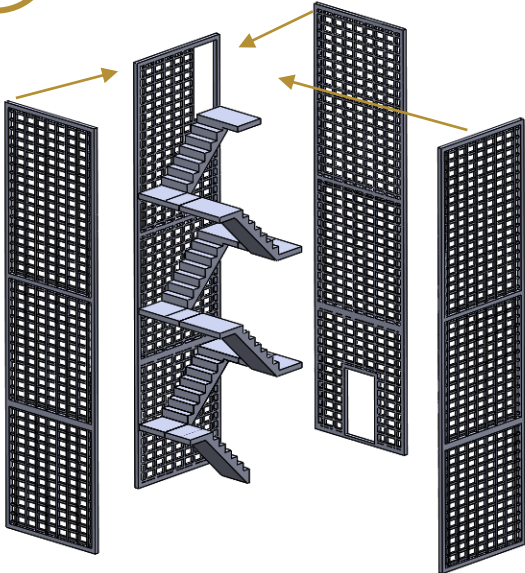
1



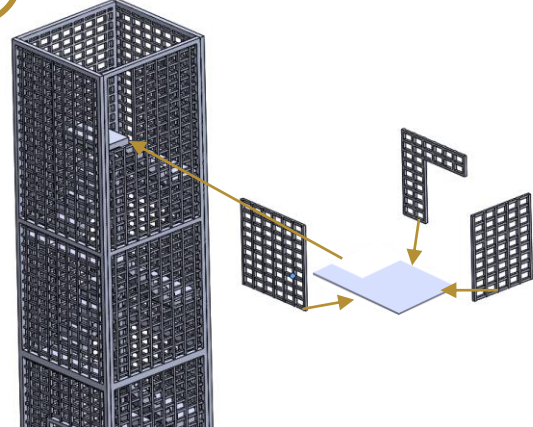
Lay out all stair sections to set correct spacing, starting at the entrance, before fixing in place.



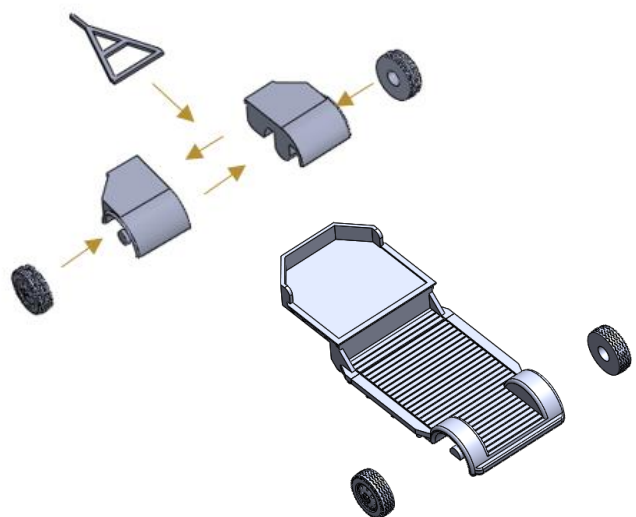
2



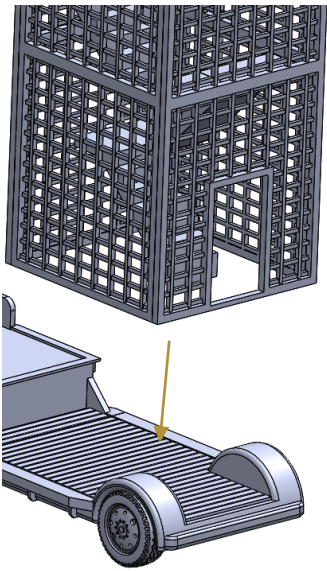
3



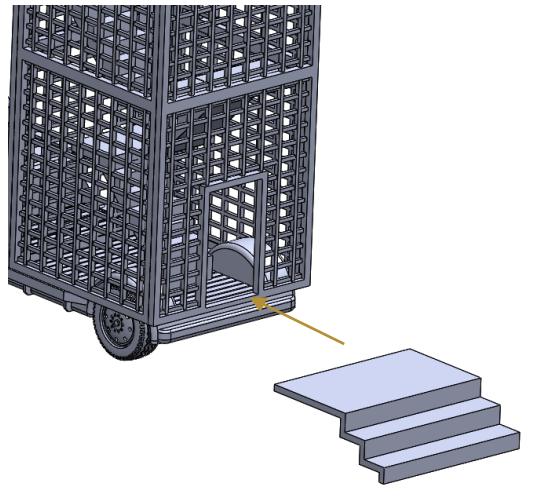
4



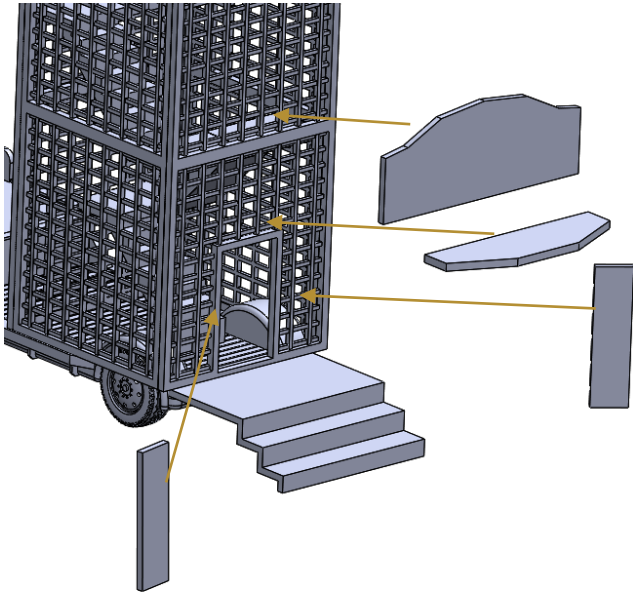
5



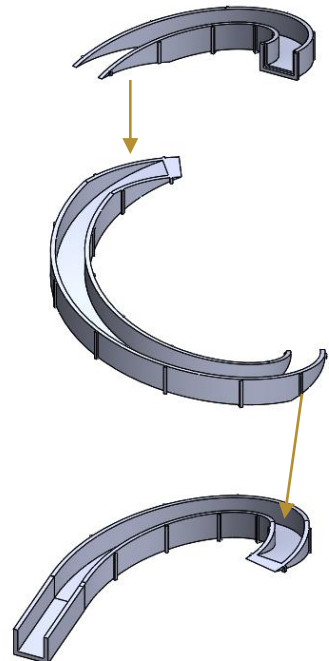
6



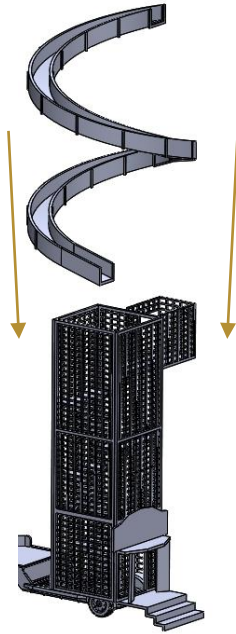
7



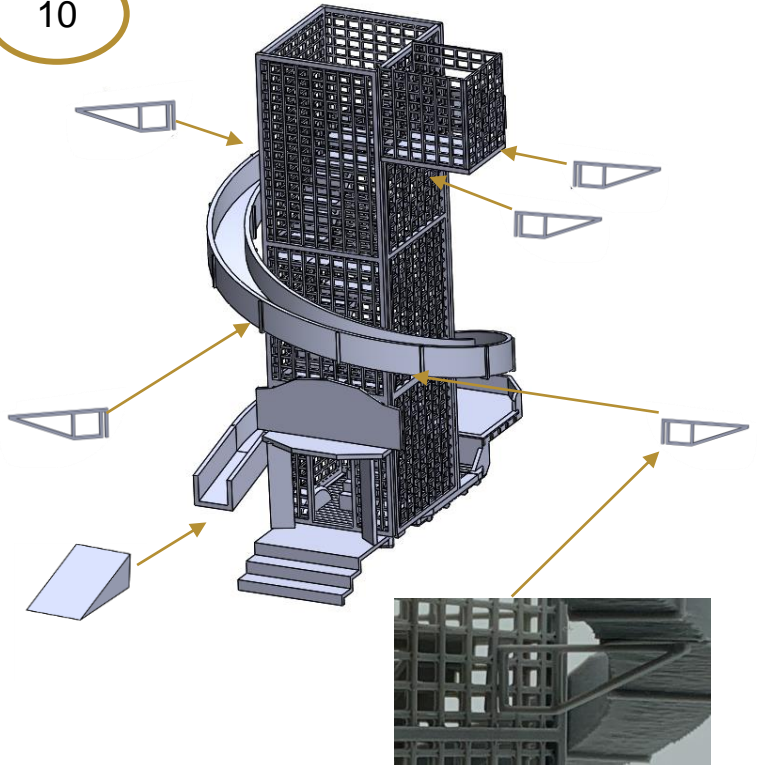
8



9



10



Insert support leg through mesh section in desired location



DAPR