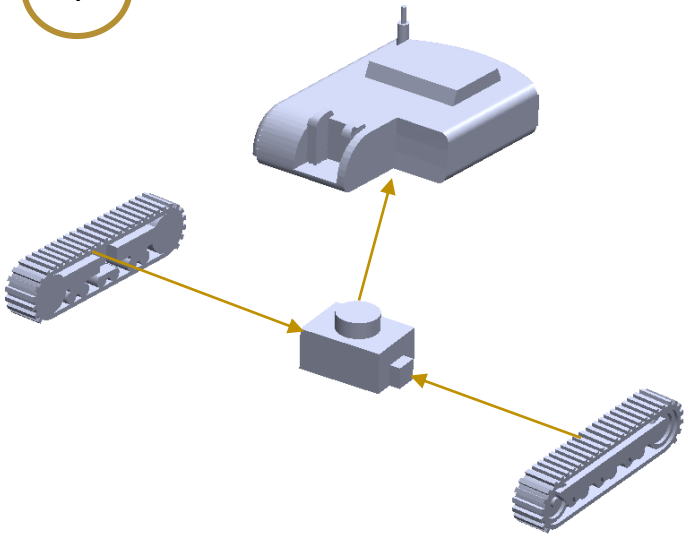
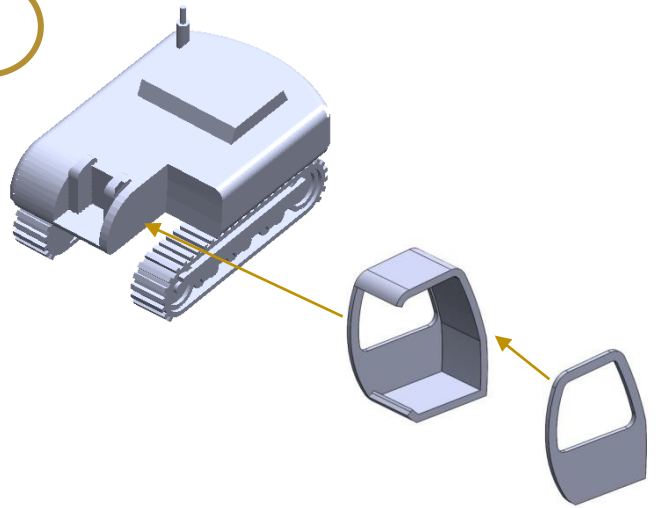


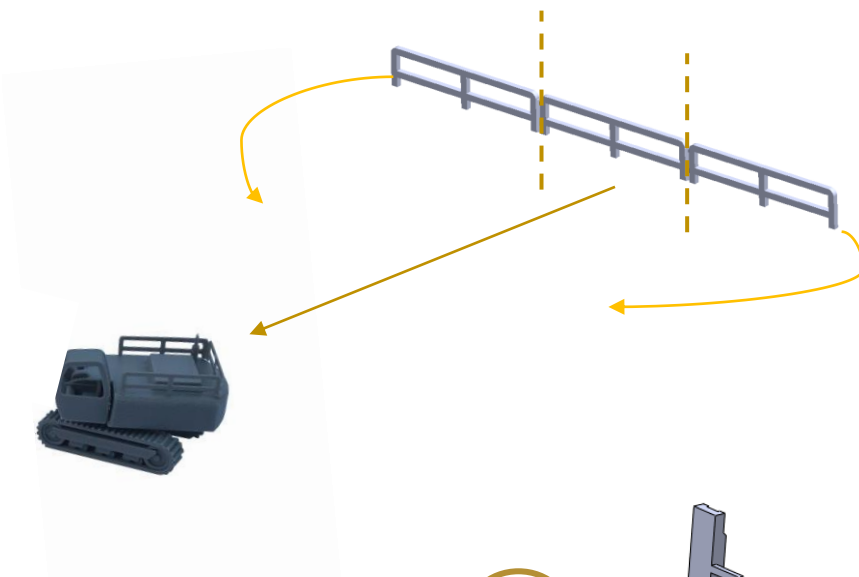
1



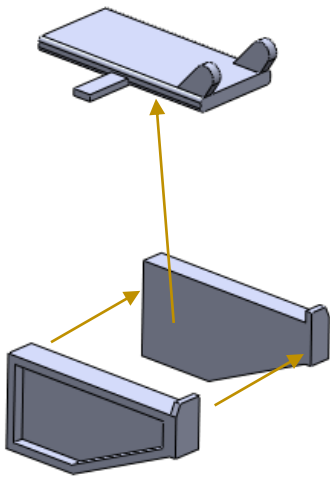
2



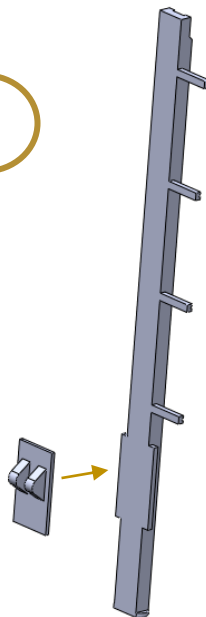
3



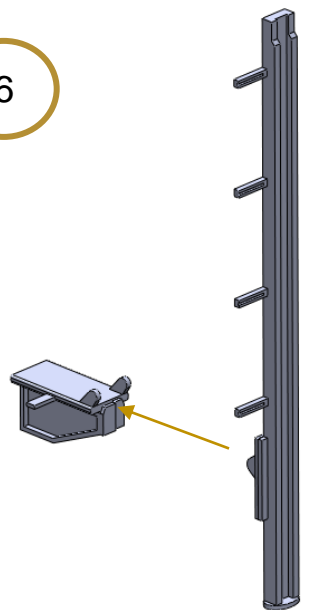
4

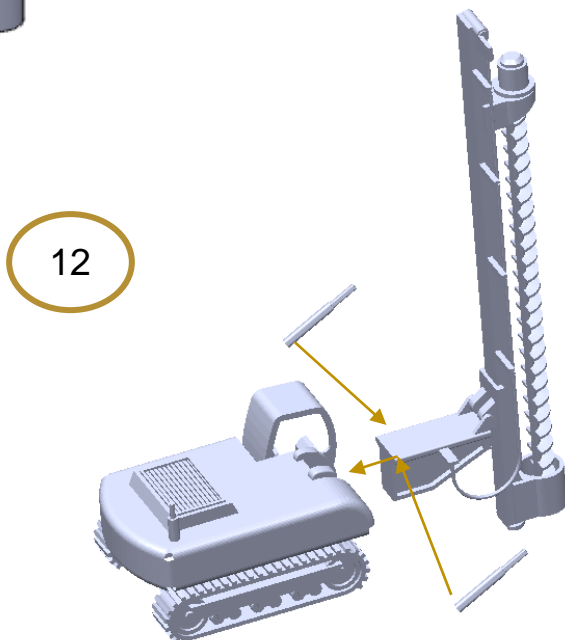
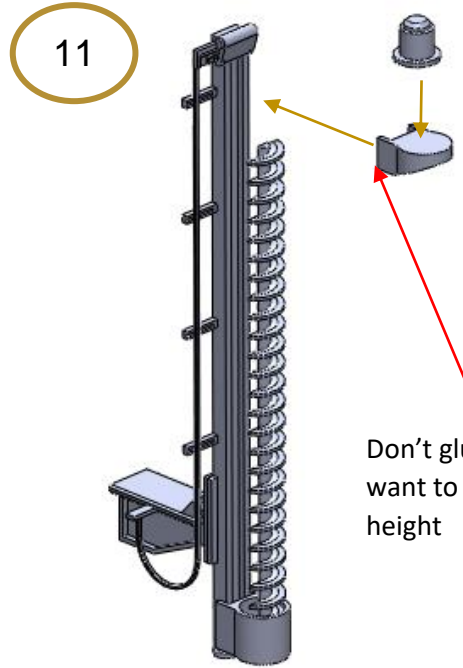
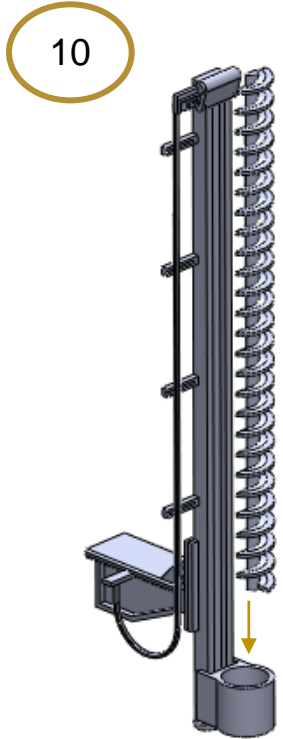
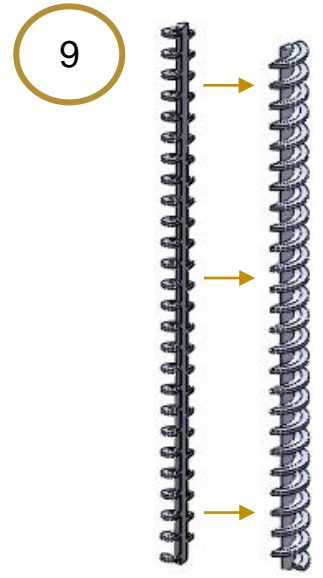
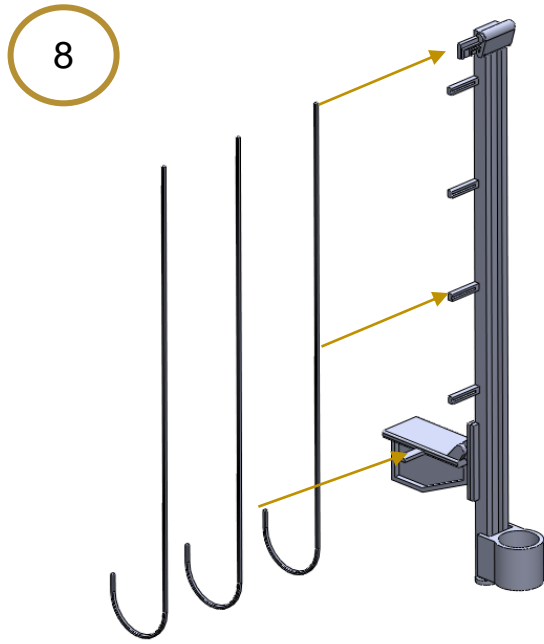
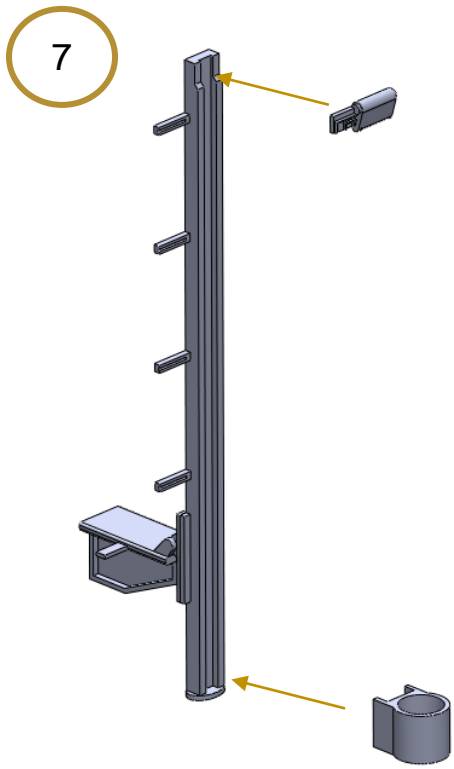


5



6





Don't glue if you want to adjust drill height

