

## DAP252A

### Kit Info

Scale	1:50
Kit Components	66
Assembly Steps	30



### Hints & Tips

#### Prep

- Carefully unpack all components from the box
- Ensure all parts are present and undamaged
- Remove any small imperfections or edges

#### Glue

- Use Super Glue for best results, plastic cements will not bond our kits.
- Hold parts together for 10–20 seconds.
- Super Glue with a precision nozzle recommended.
- Use small amounts to avoid visible glue marks.

#### Prime

- Always prime before painting for the best finish.
- Use grey/black spray primer (automotive or hobby).
- Halfords Grey or Tamiya Fine Surface Primer are well suited.
- Apply light, even coats, spray from 20–30 cm distance. Allow each coat to fully dry before painting.

#### Paint

- Use acrylic or enamel paints

Acrylic paints:

- Easy to use and quick drying
- Low odour and water clean-up

Enamel paints:

- Strong, durable finish
- Longer drying time allows smoother results
- Requires solvents for thinning/cleaning

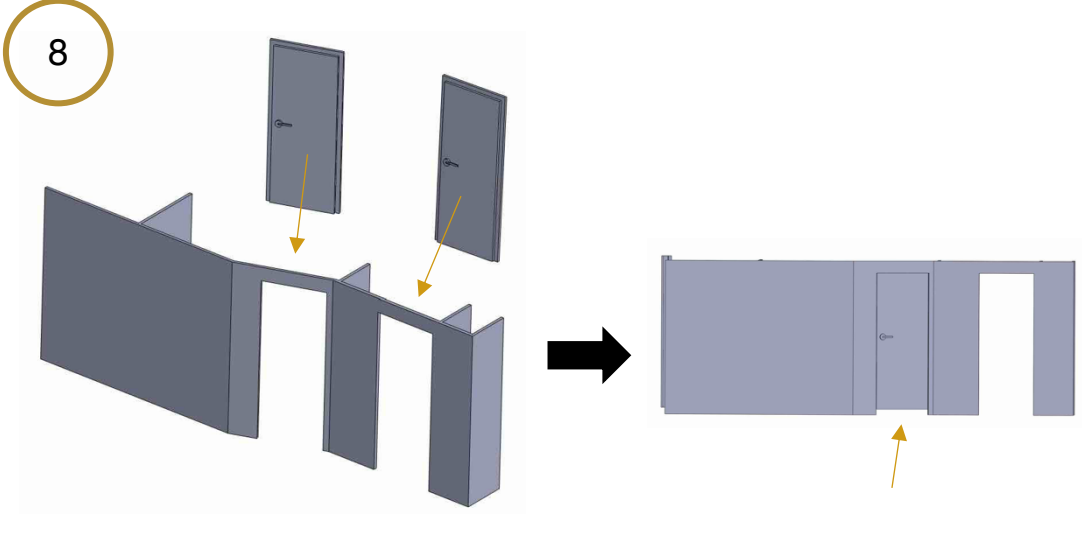
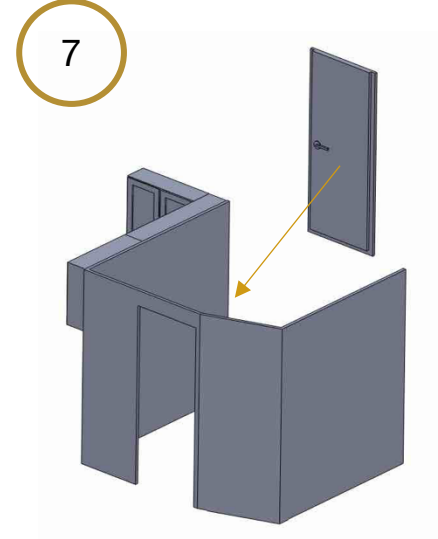
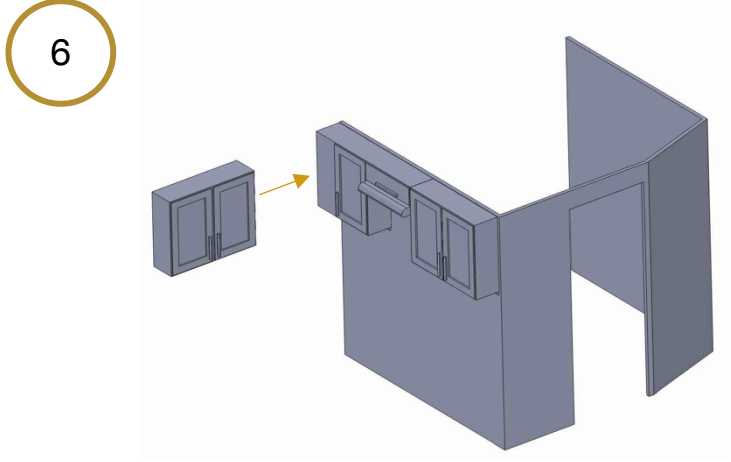
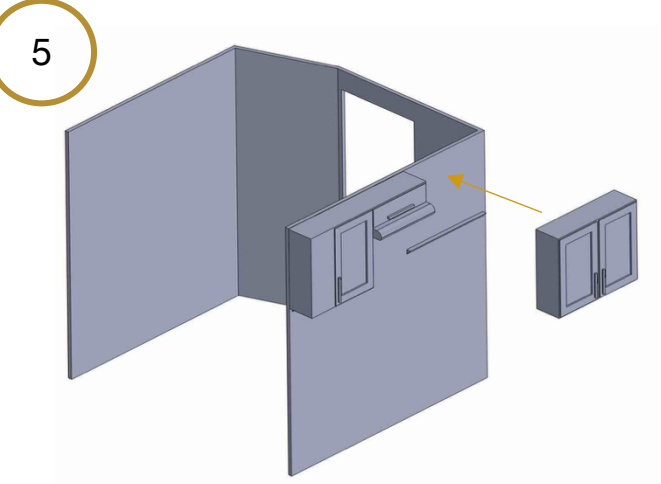
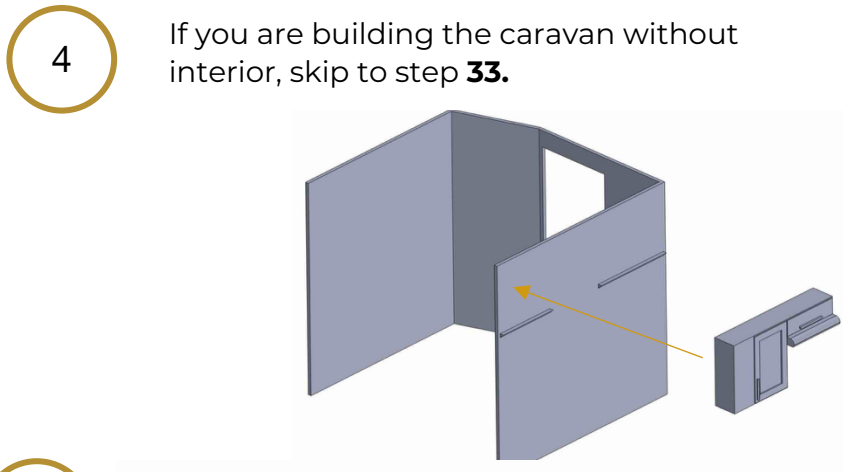
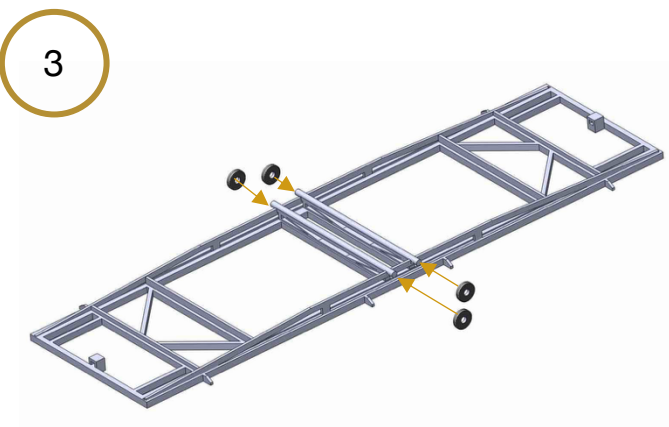
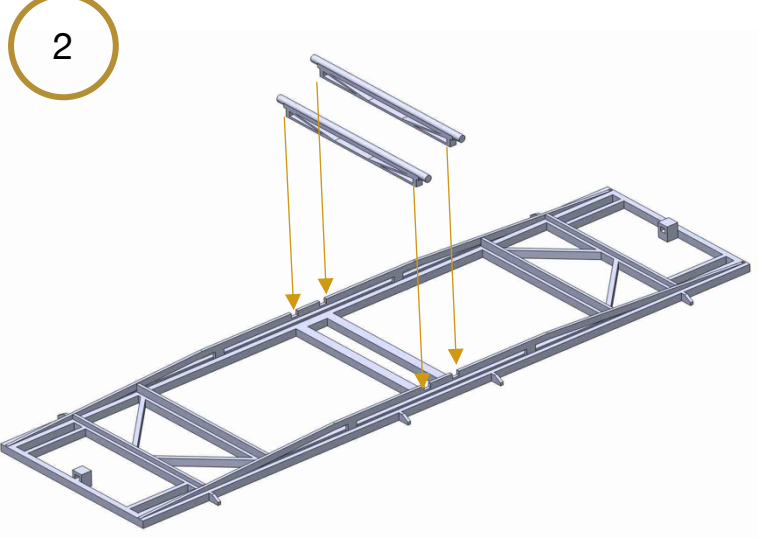
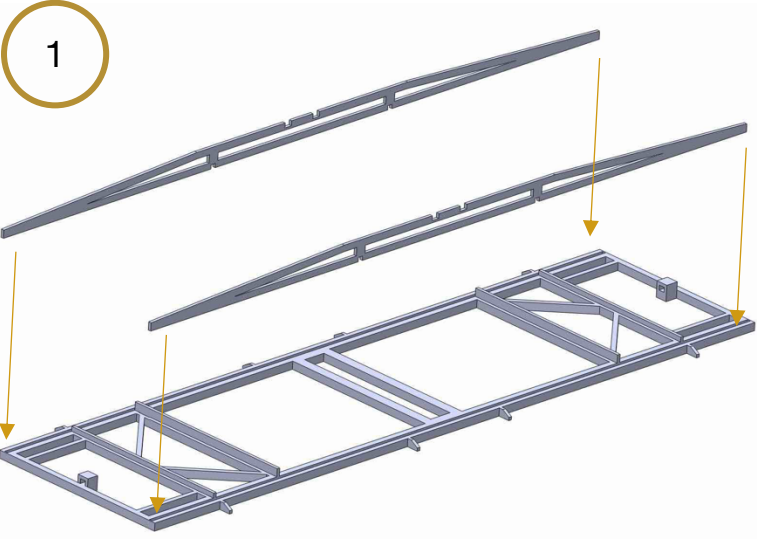
Trusted brands:

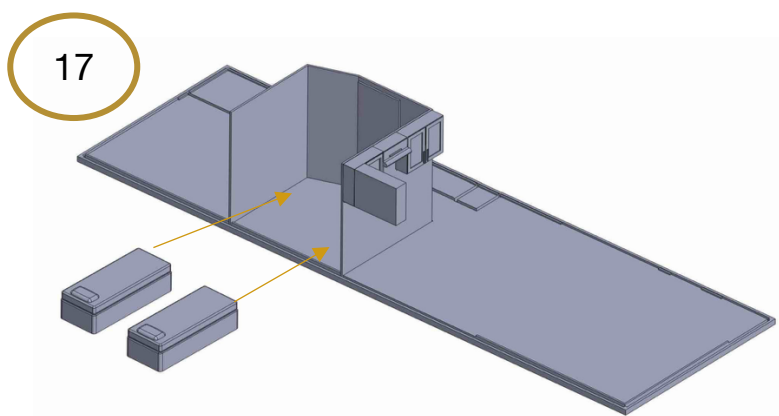
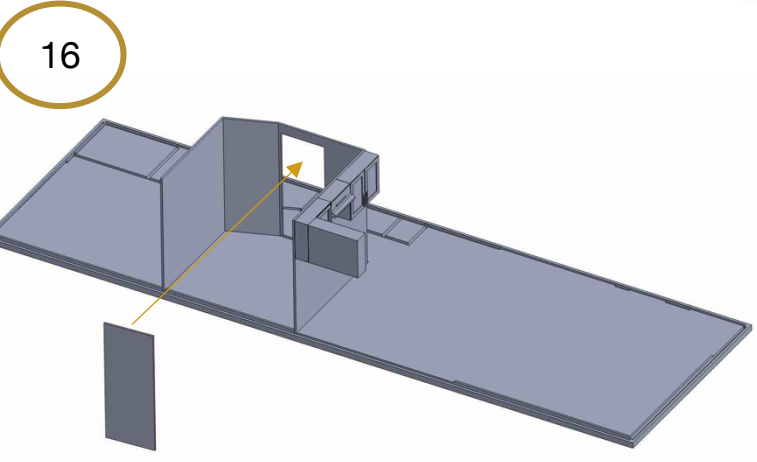
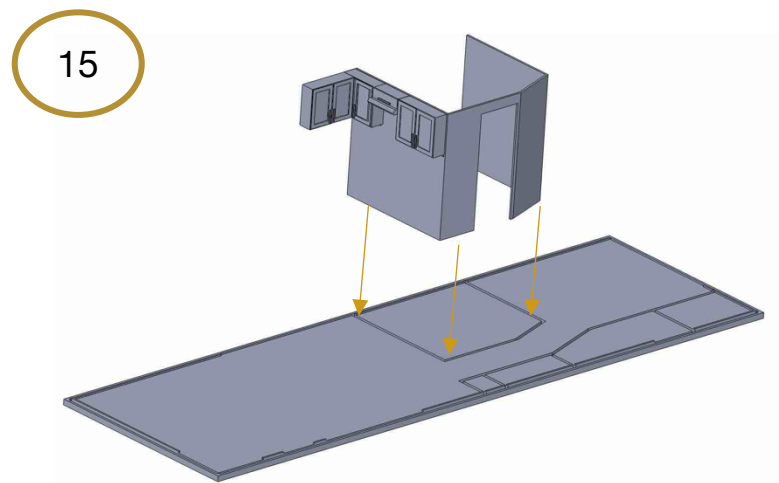
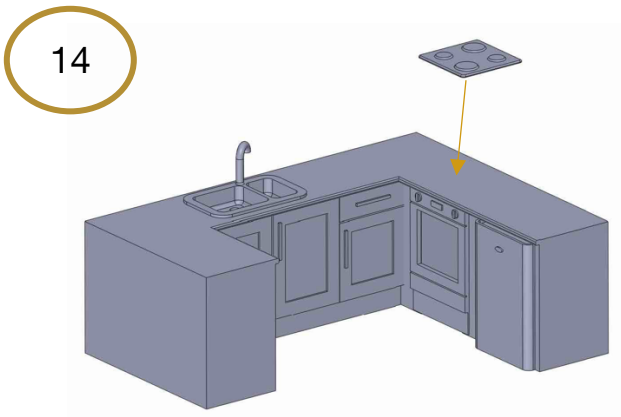
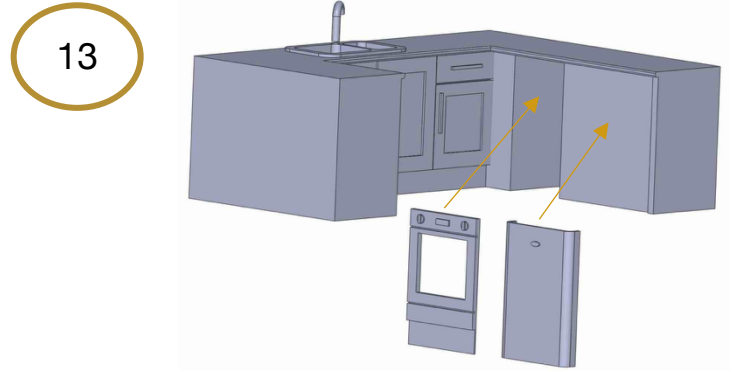
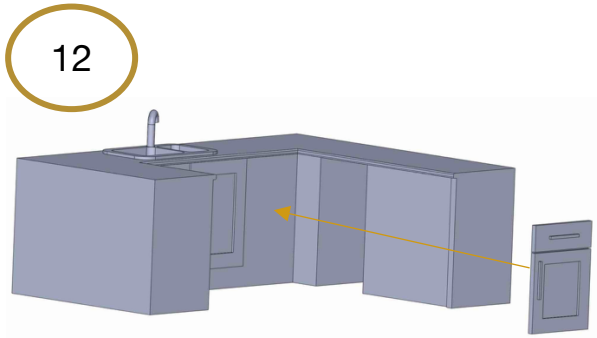
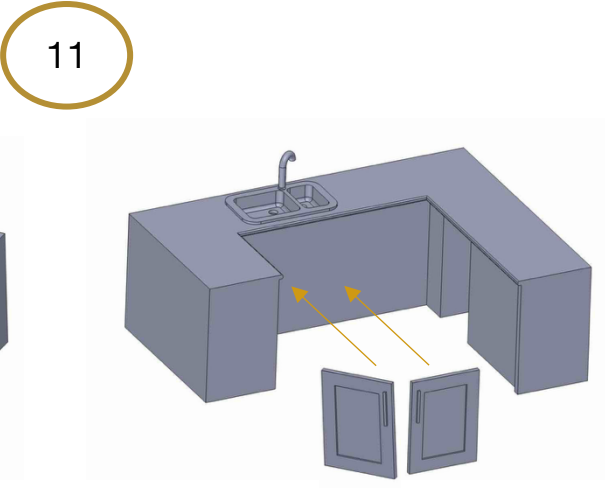
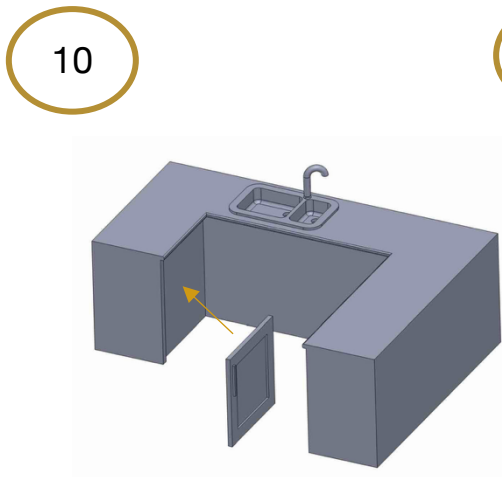
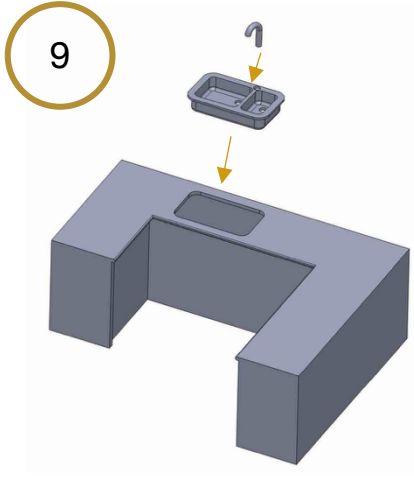
- Revell (widely available, good all-round range)
- Humbrol (well-known enamel & acrylic range)
- Tamiya (good all-round, airbrush friendly)
- Vallejo (excellent for brush painting)
- Citadel (great for beginners & detail work)

Application tips:

- Apply multiple thin coats
- Avoid thick layers to preserve detail
- Use a fine brush for small details

- This product is **not a toy** and contains small parts.
- Recommended for **ages 12+**, or younger users with **adult supervision**.
- Take care when using **sharp tools** (craft knives, files, & other modelling tools).
- Use adhesives, paints & solvents in a **well-ventilated area**, noting brand guidelines.
- Avoid contact with skin and eyes when using **glues, paints, or chemicals**.
- Keep all materials and tools **out of reach of children**.
- Do not leave models in **direct sunlight, hot cars, or near radiators**.
- **Please note**, some instruction sheets may reflect earlier versions of kits, due to ongoing improvements, parts and assembly steps may vary, if anything does not match or you are unsure, please contact us before proceeding.
- The component count shown on this page includes spare parts, **some small variations in quantity may occur**.

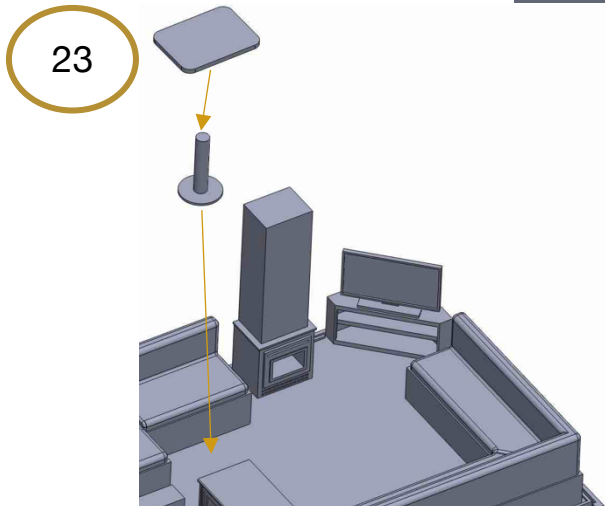
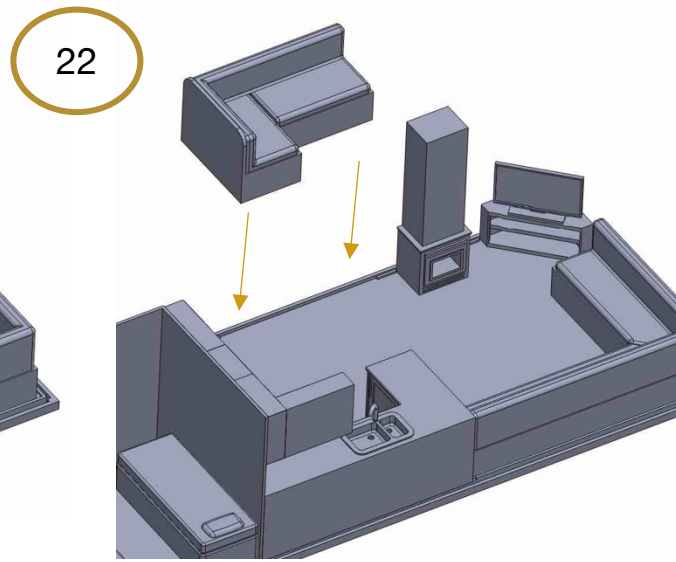
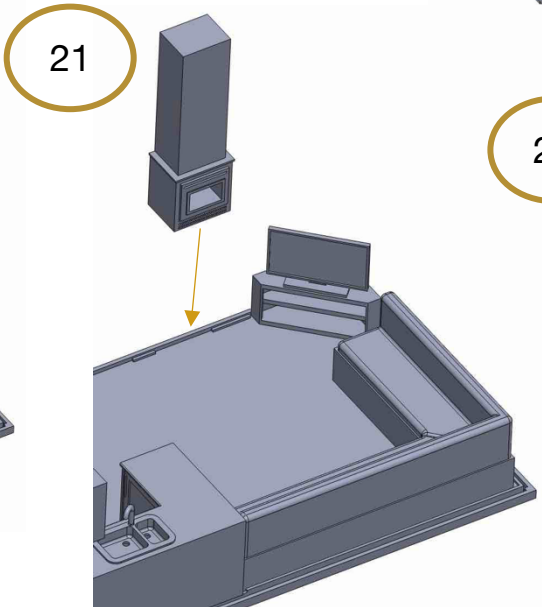
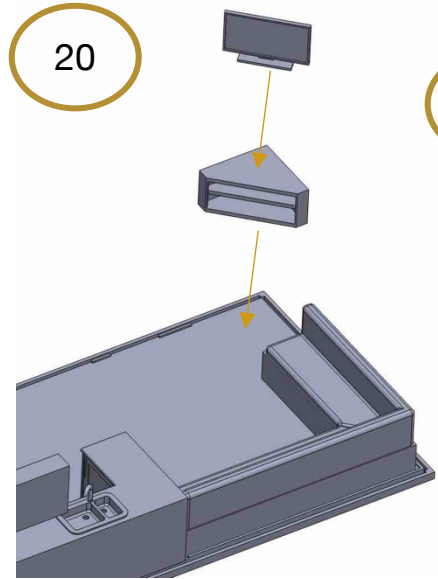
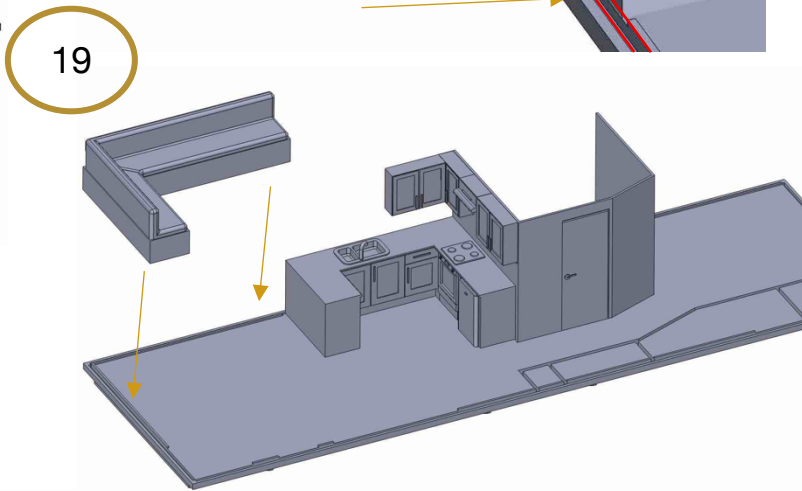
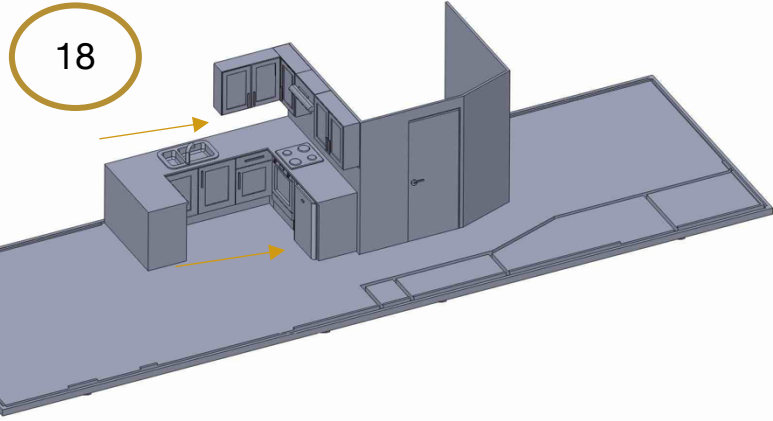
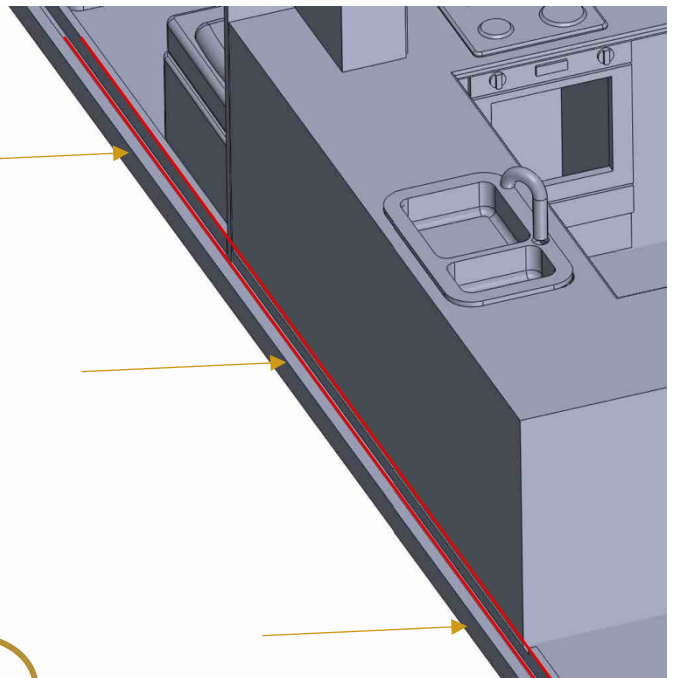


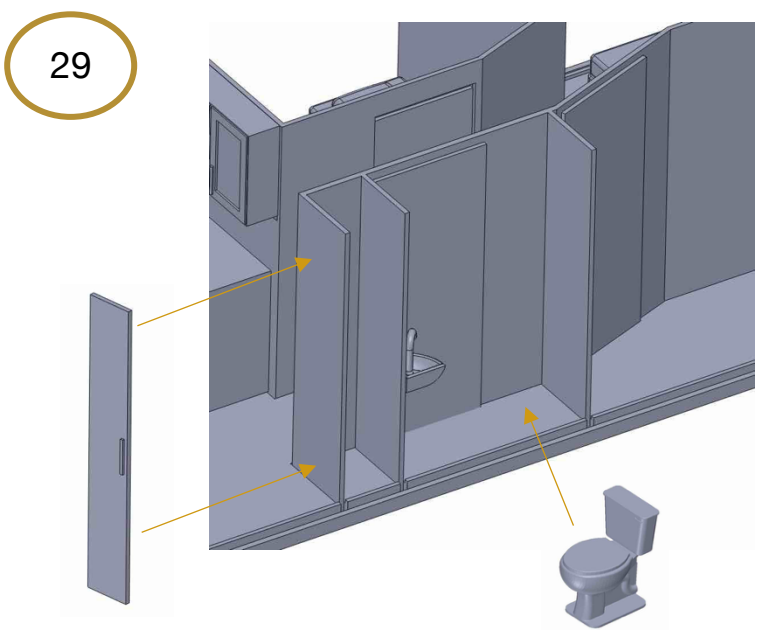
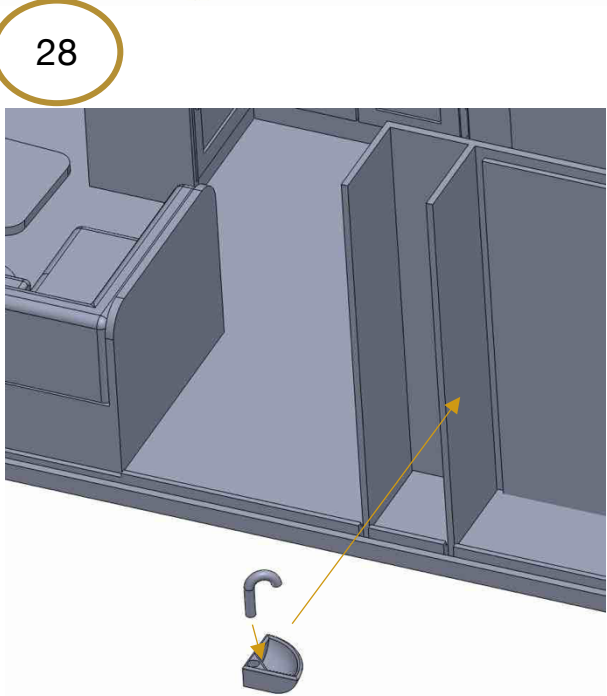
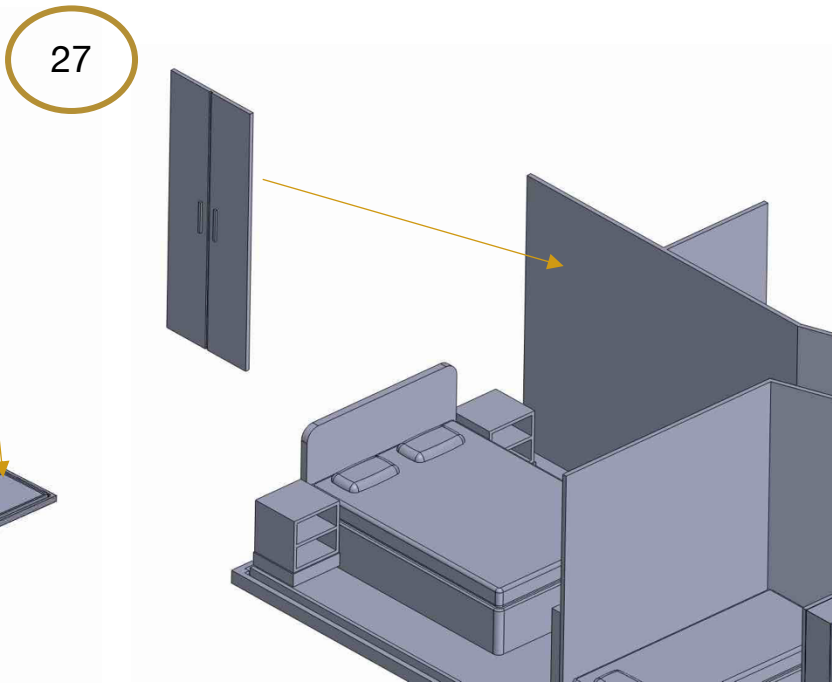
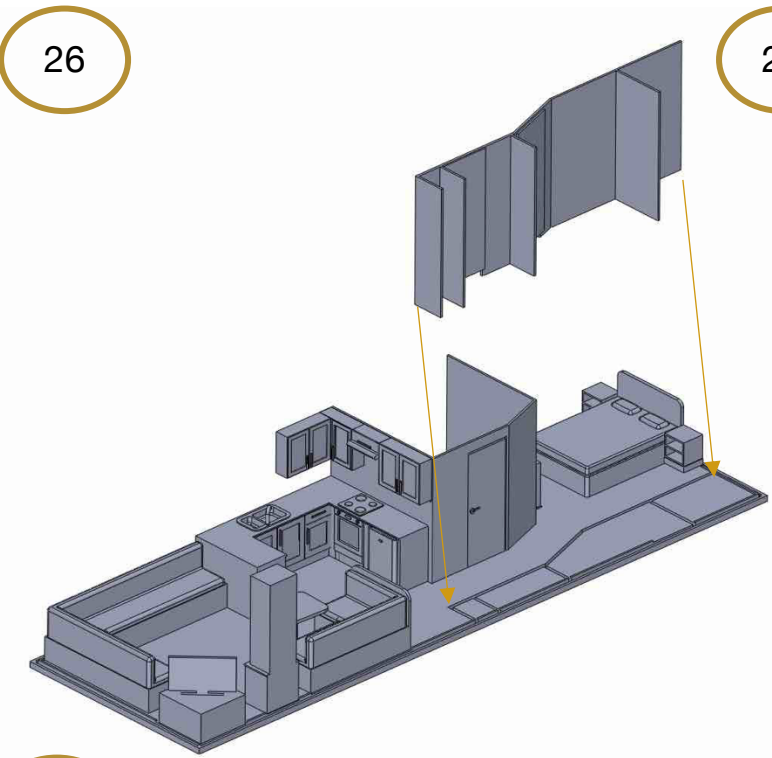
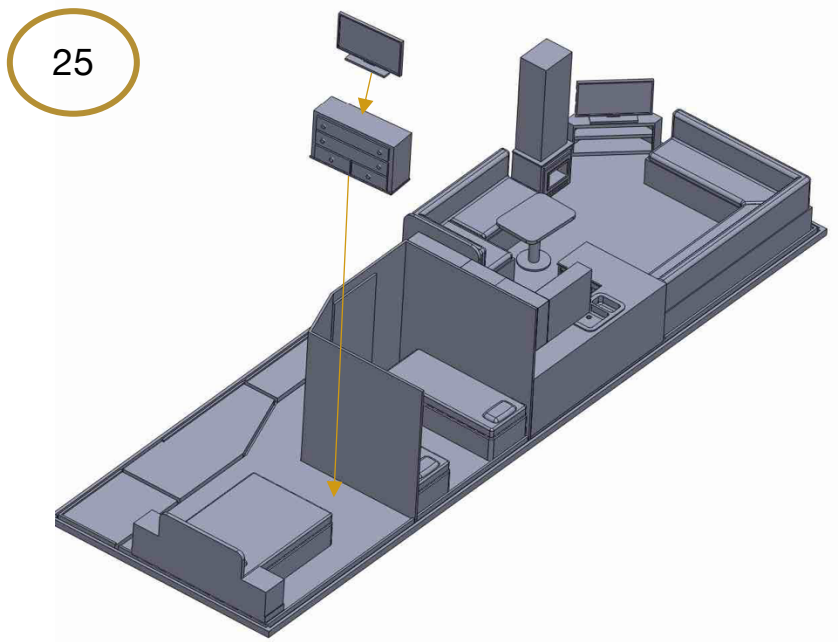
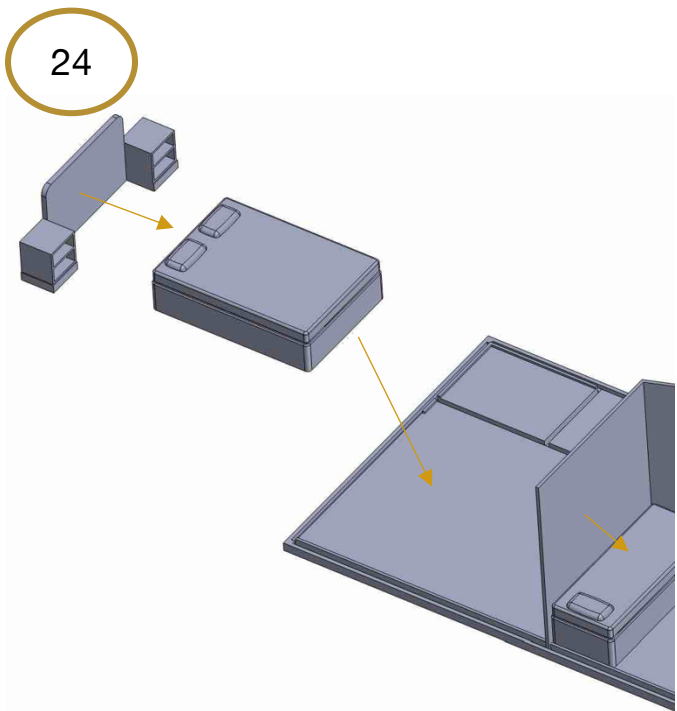


**Please Note**

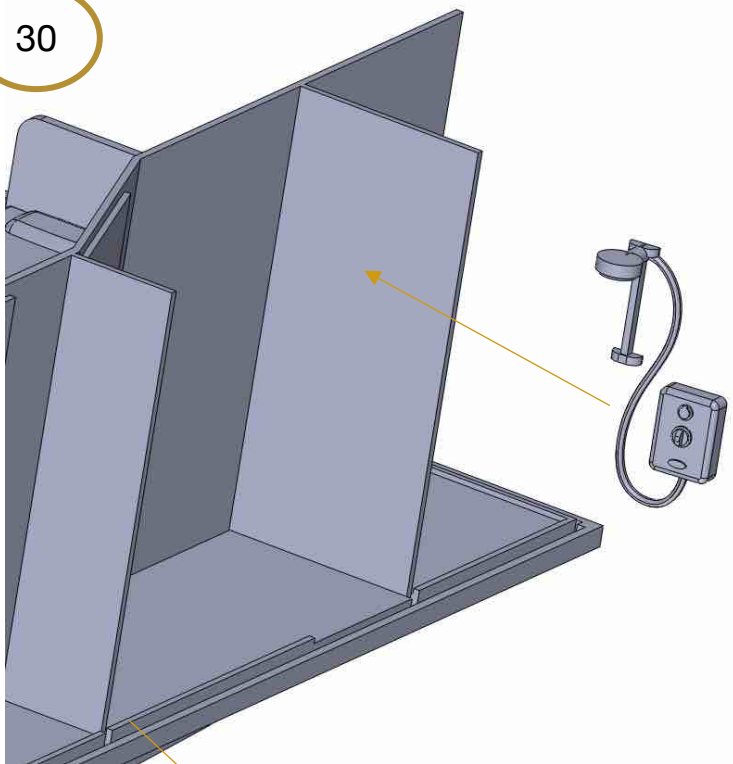
Ensure all internal wall sections and furniture do not overlap the outside channel shown here, as this will prevent the external walls fitting properly.

Trial fit all walls and furniture before fixing.

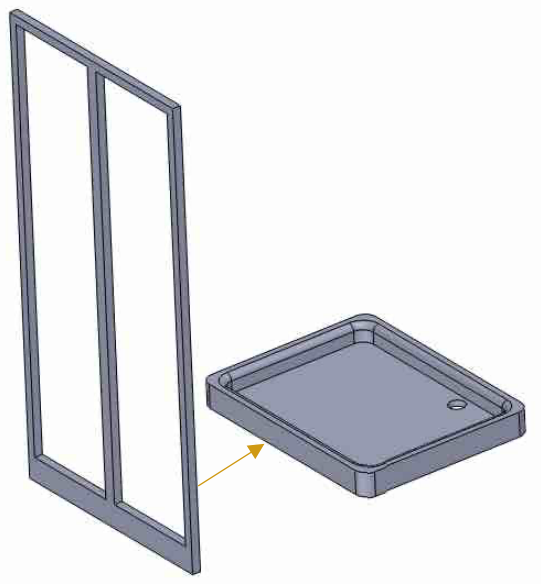




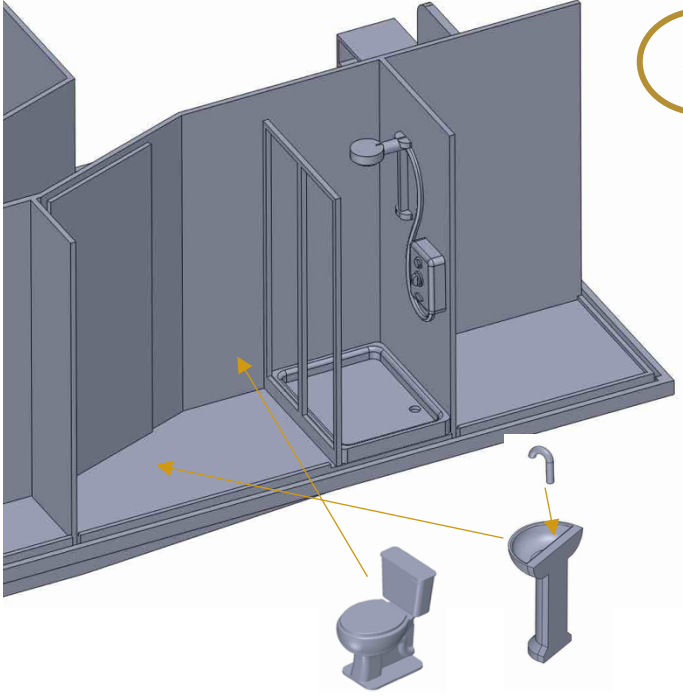
30



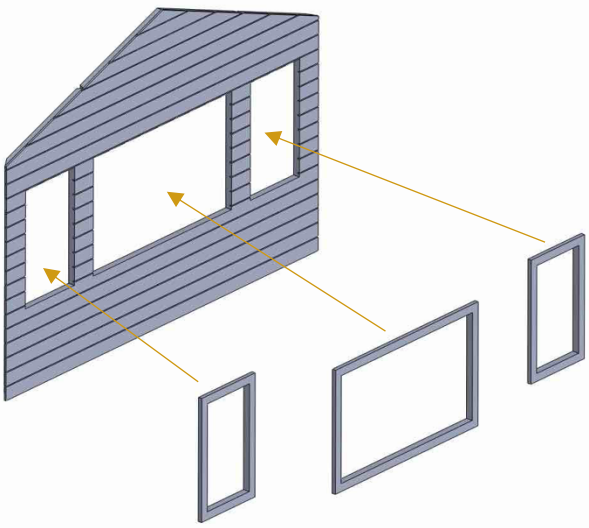
31



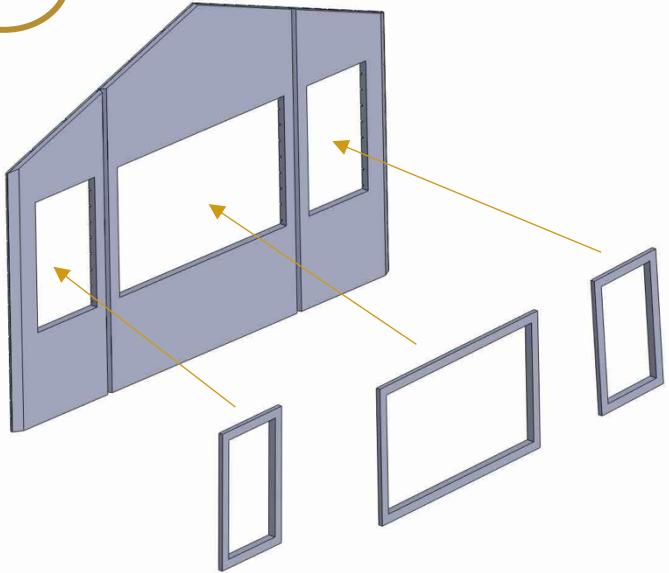
32



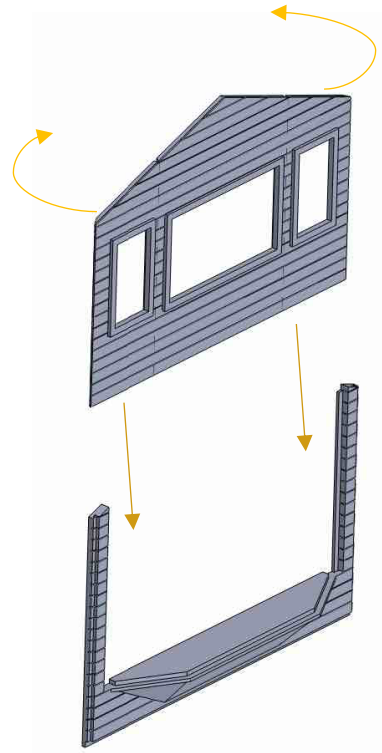
33



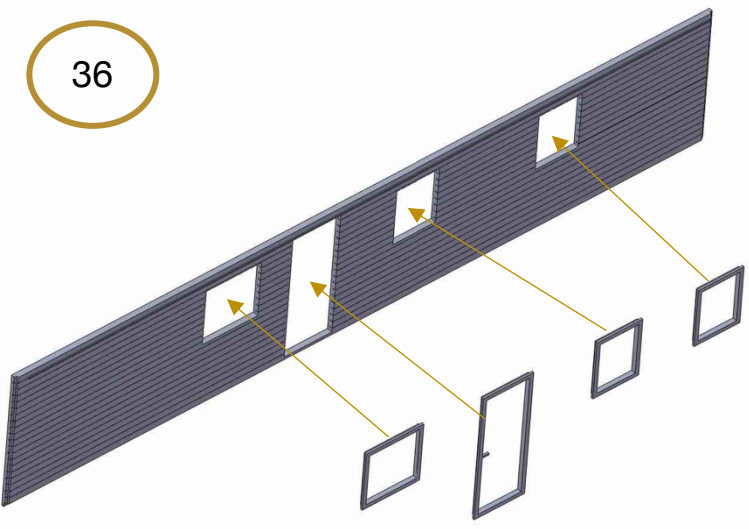
34



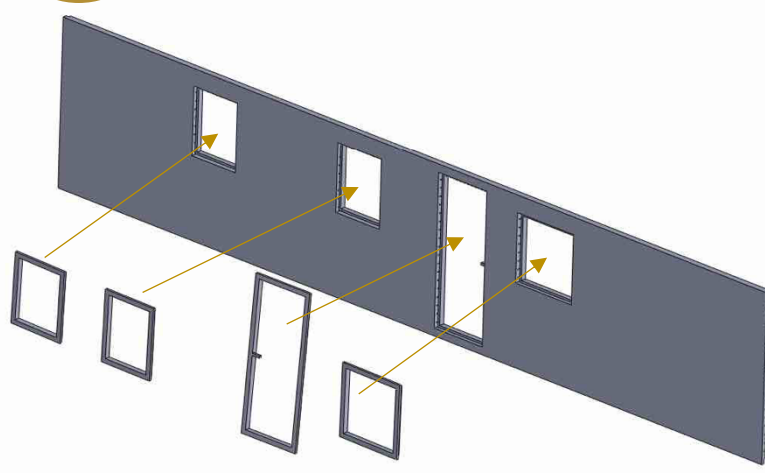
35



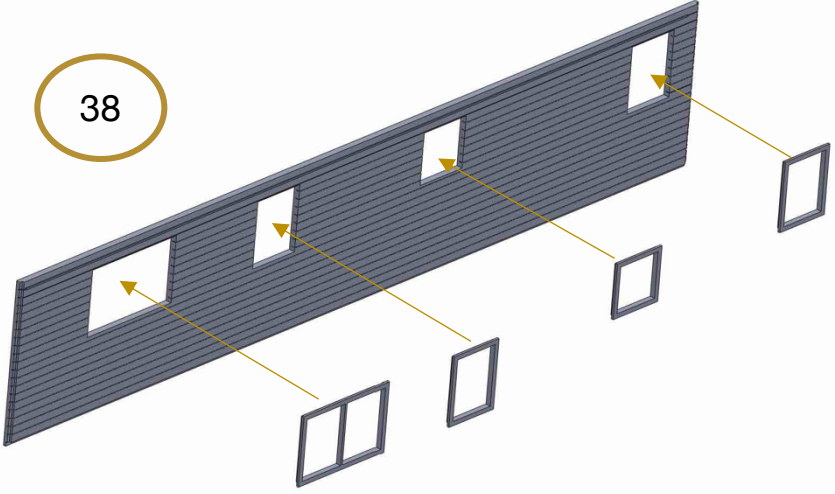
36



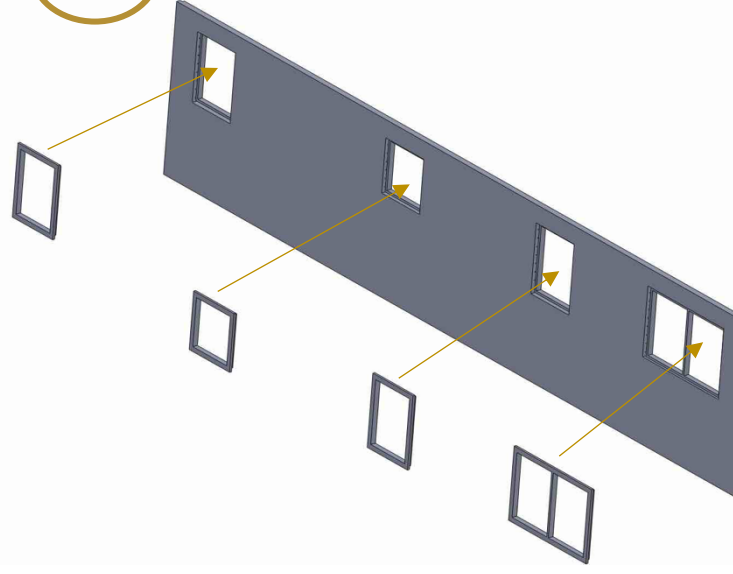
37



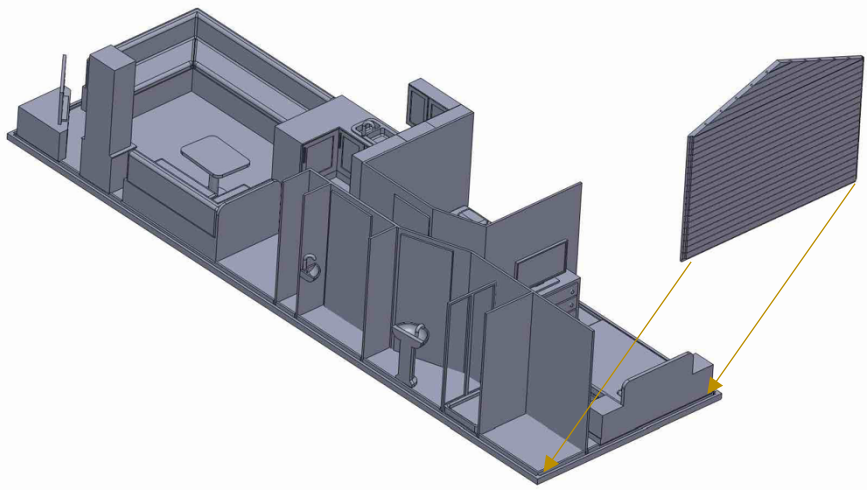
38



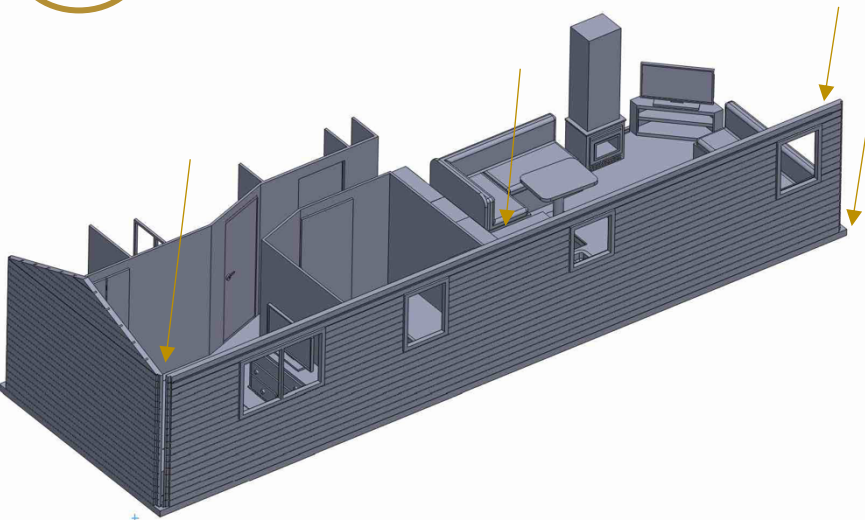
39



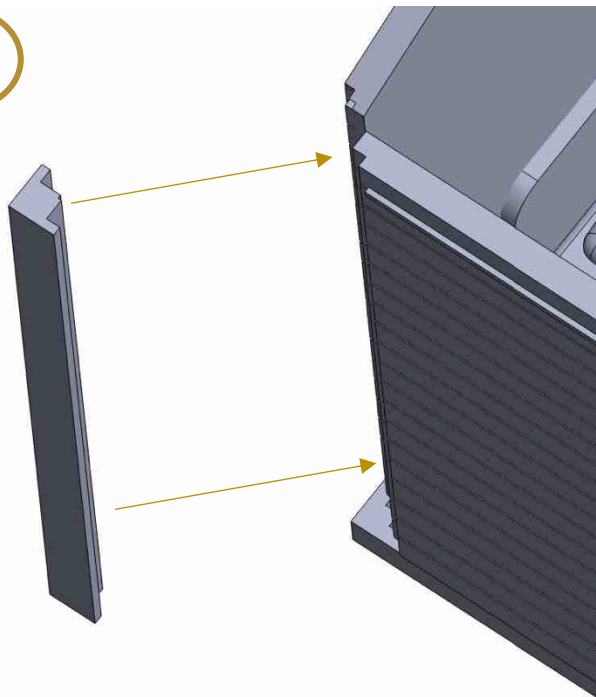
40



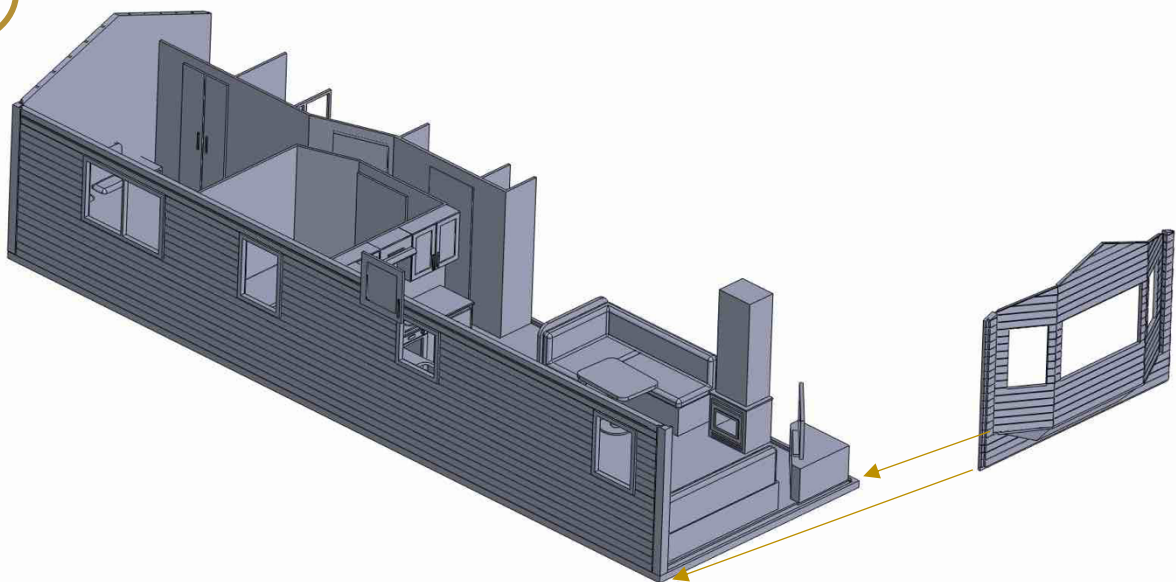
41



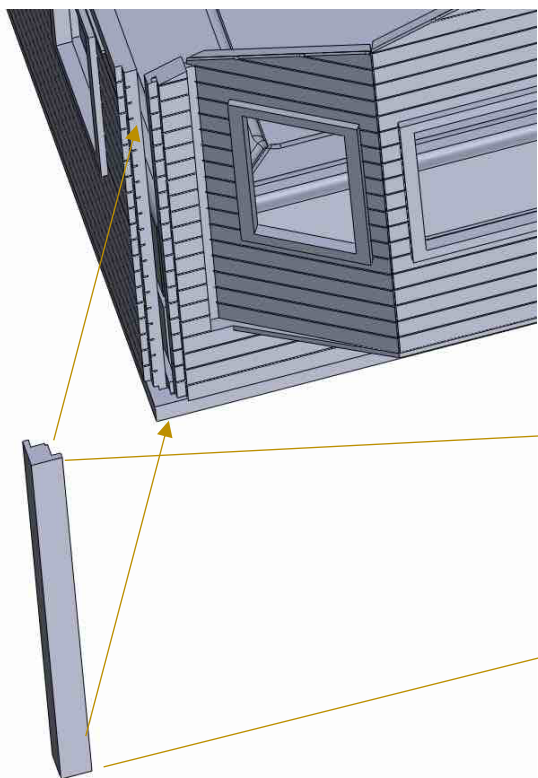
42



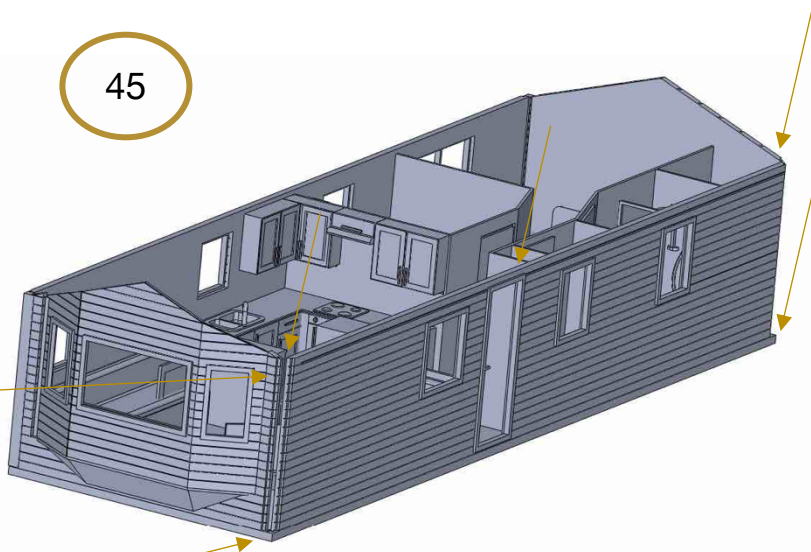
43



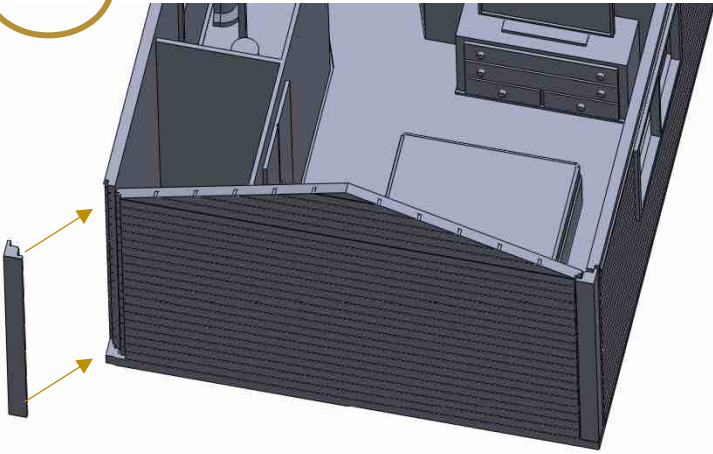
44



45

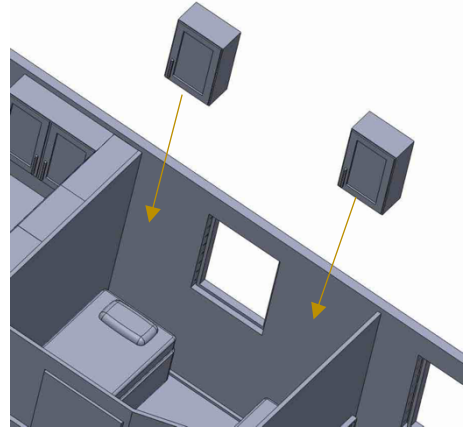


46

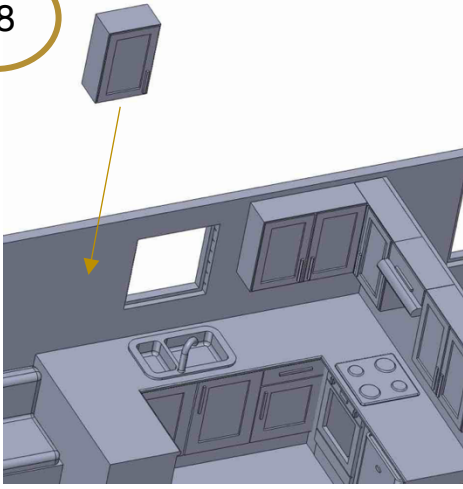


47

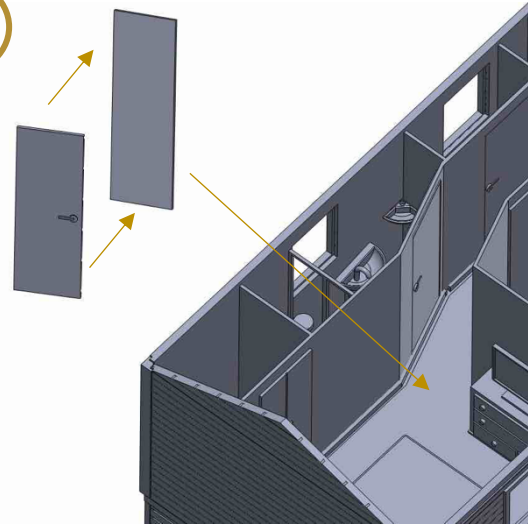
If building without interior, skip to step 49.



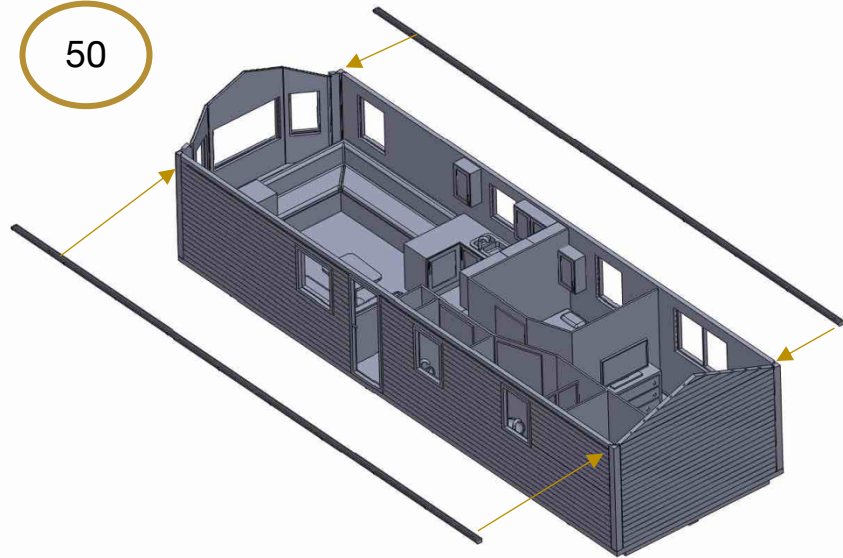
48



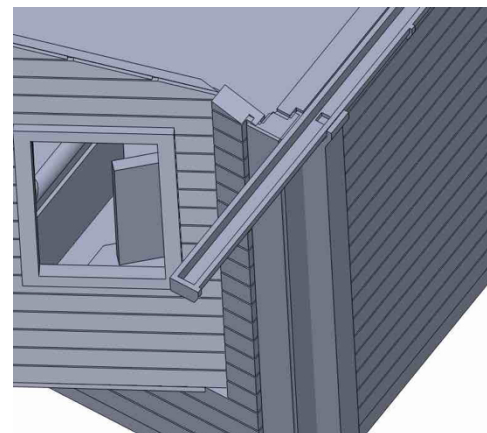
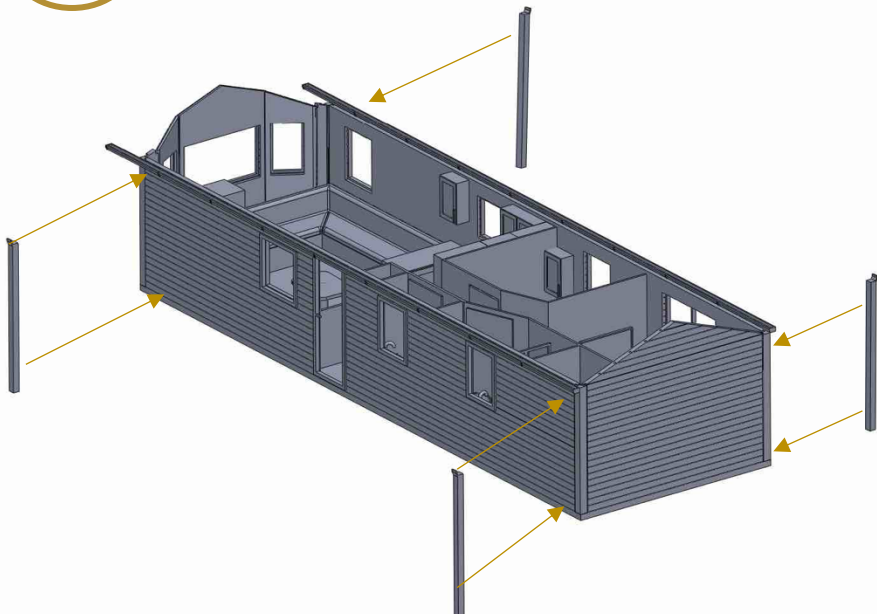
49



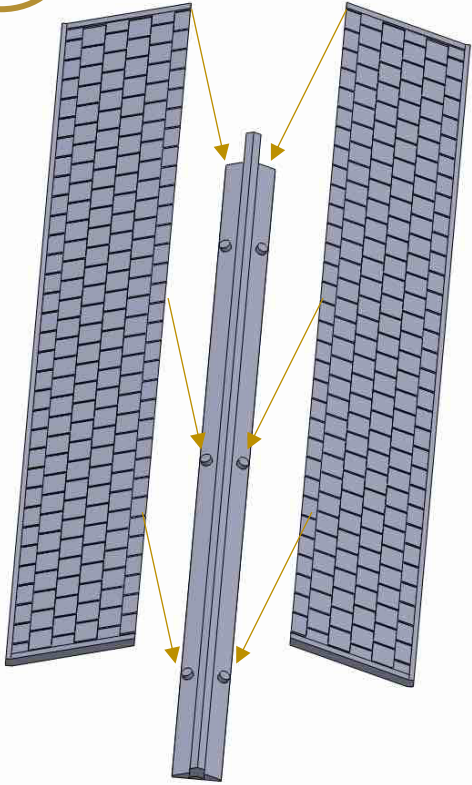
50



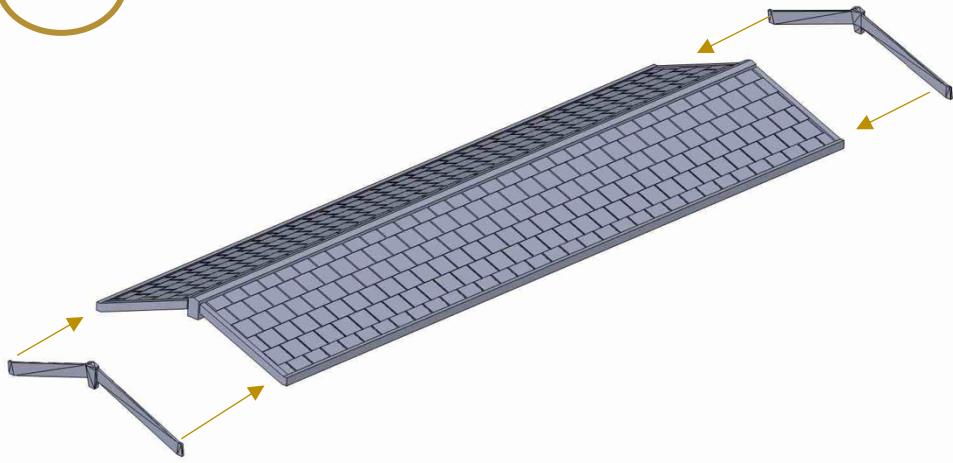
51



52



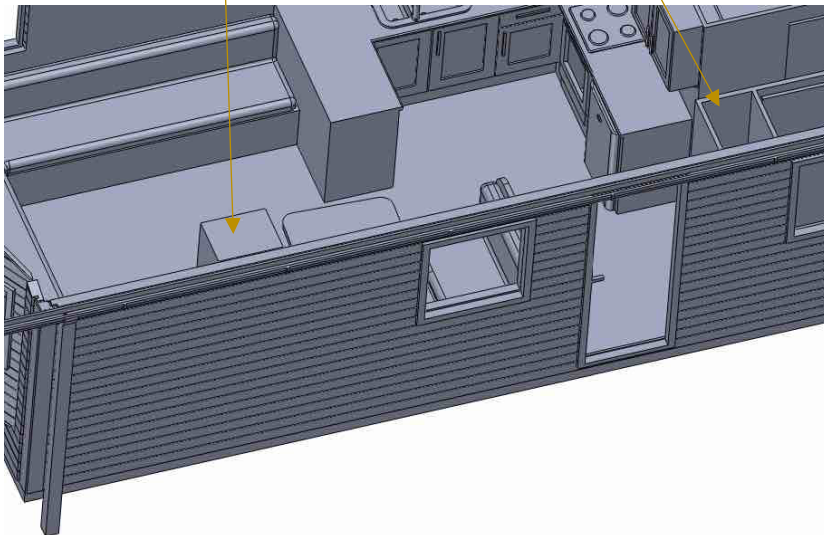
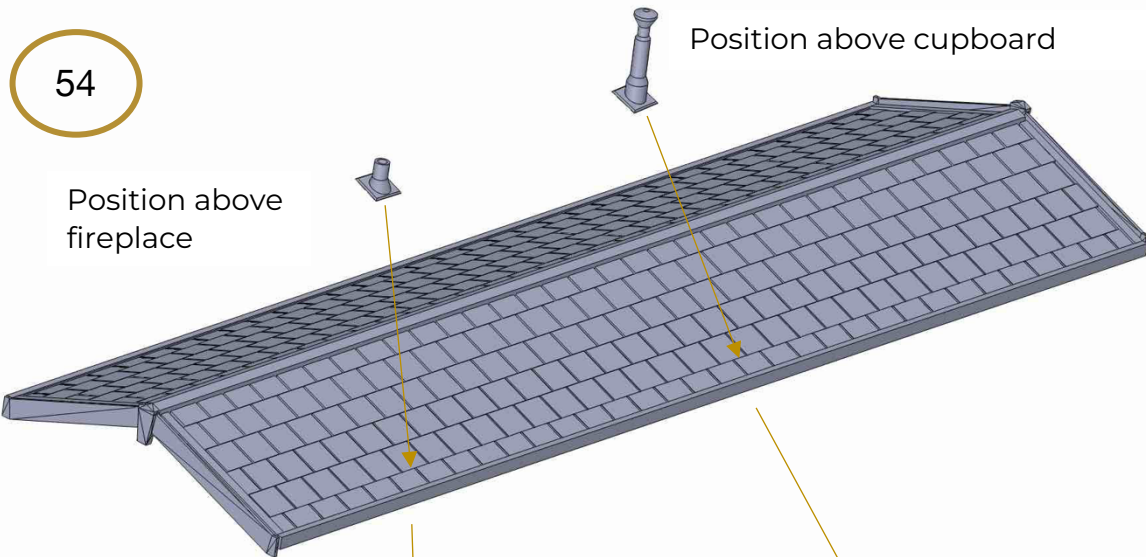
53



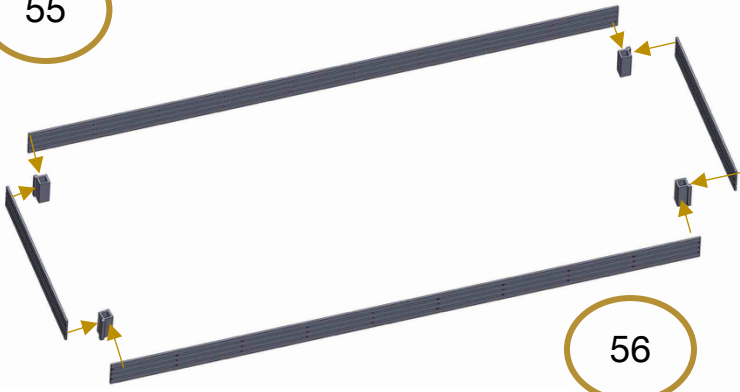
54

Position above cupboard

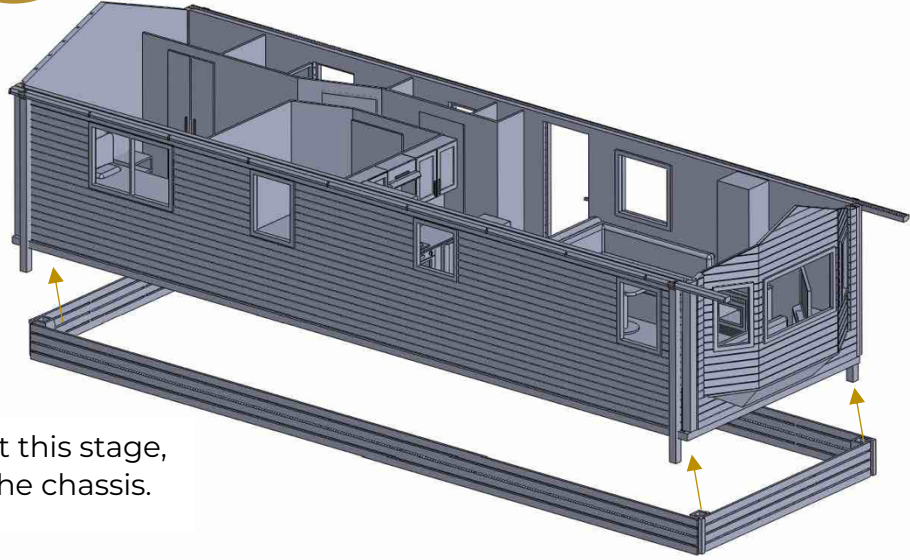
Position above fireplace



55

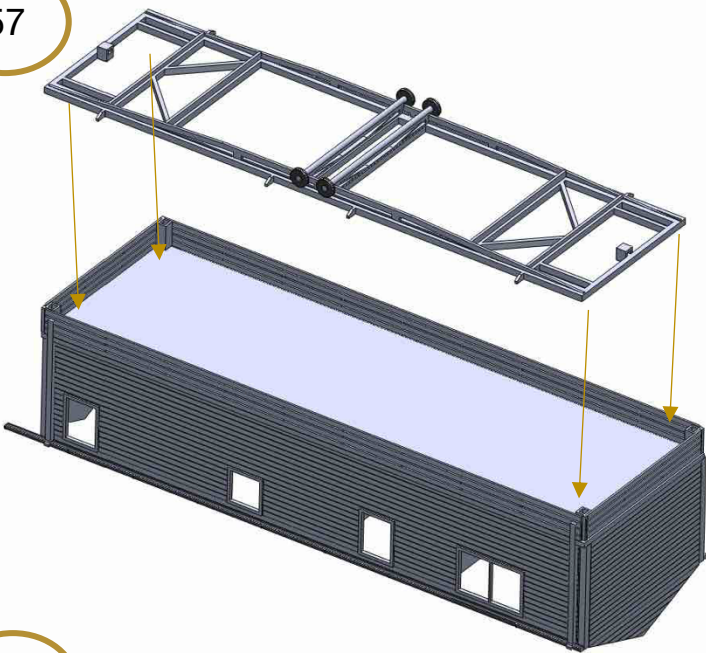


56

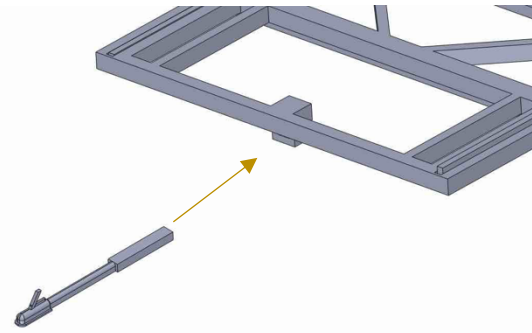


Do not glue skirt at this stage,  
it is used to align the chassis.

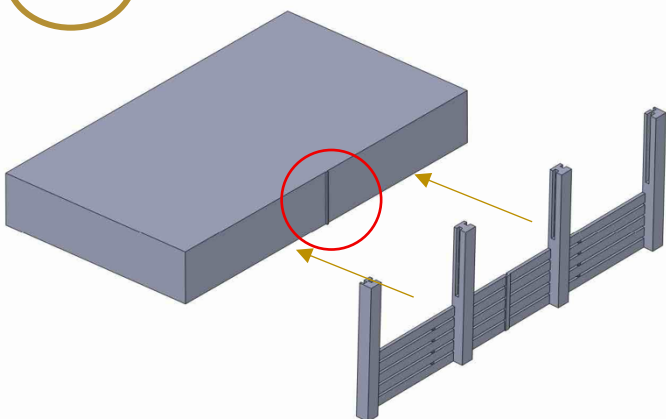
57



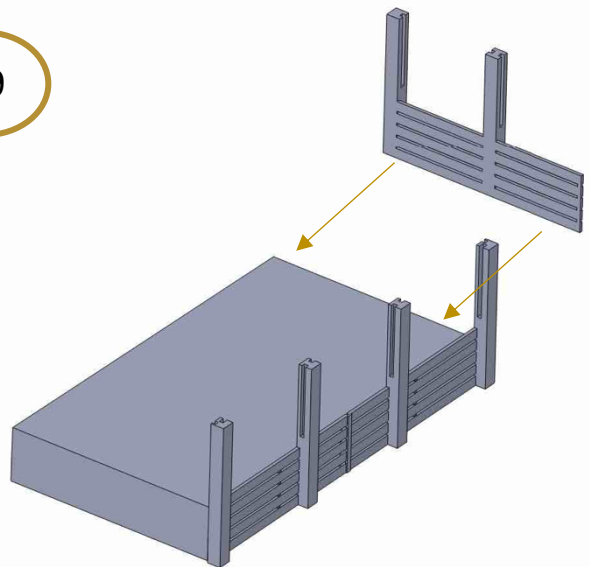
If the skirt is not being used, it  
can be removed at this stage, the  
towbar can then be inserted.

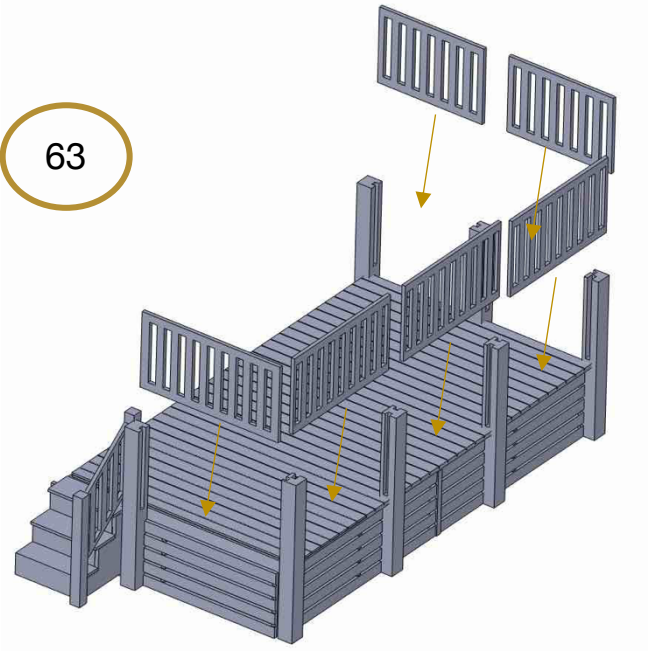
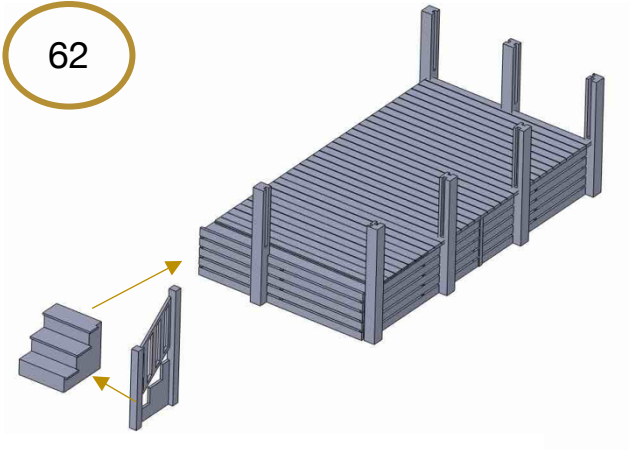
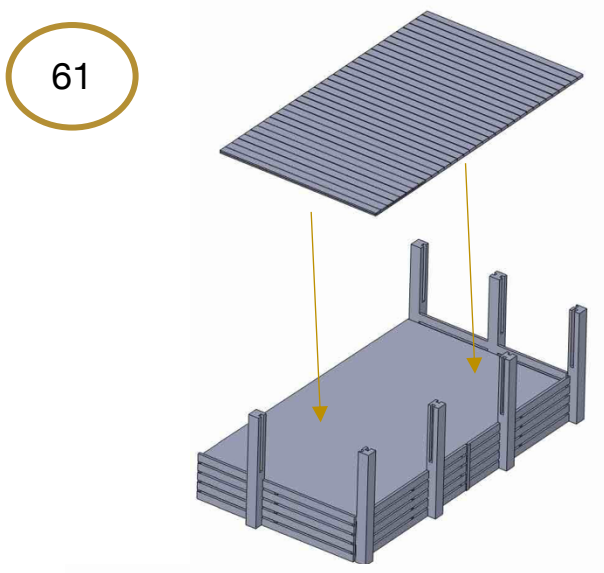
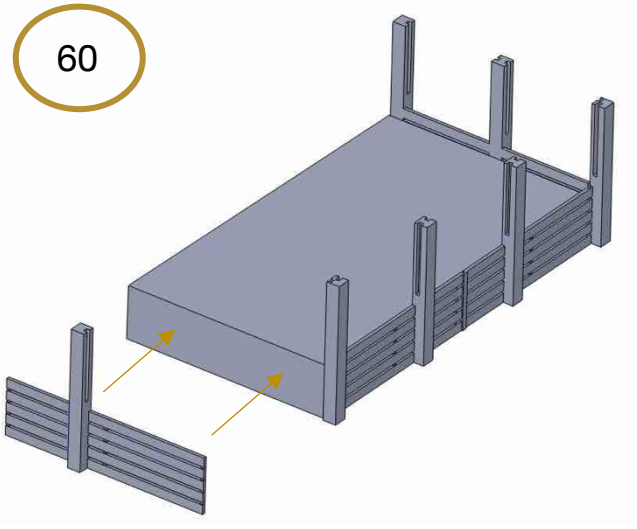


58



59





OR

(If building without decking)

