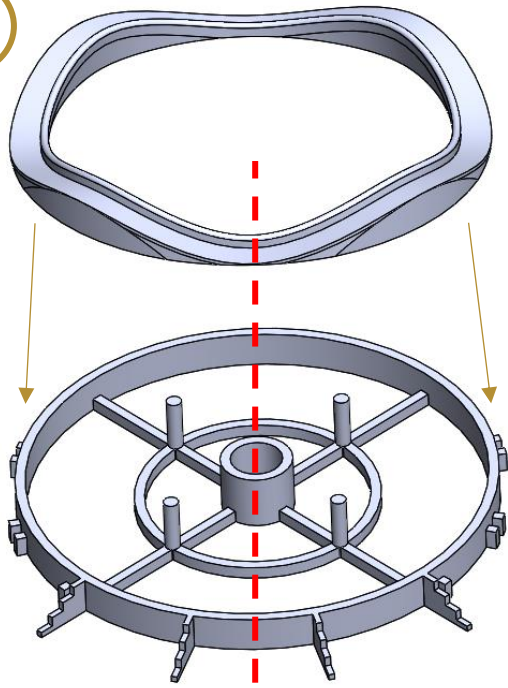
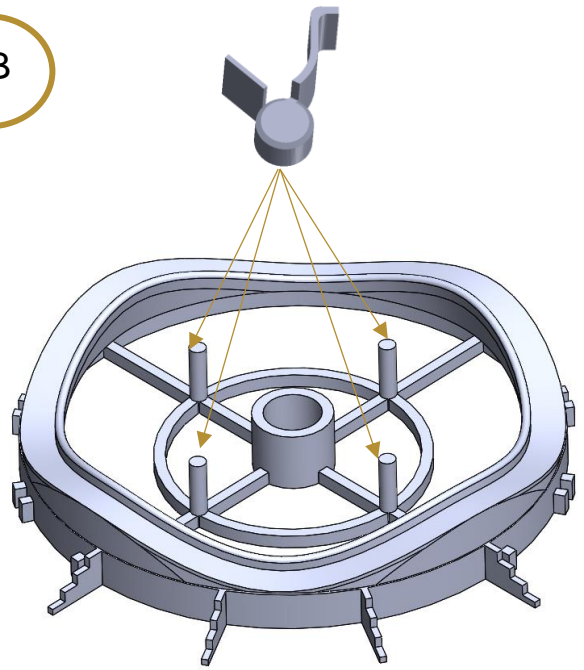


1

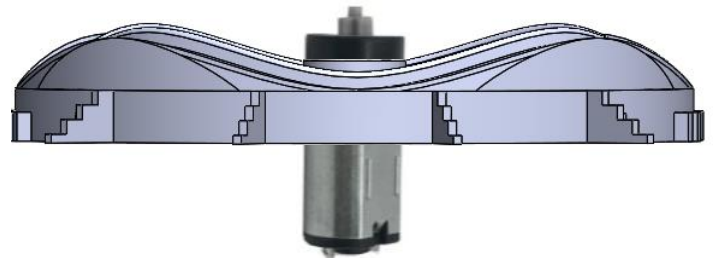
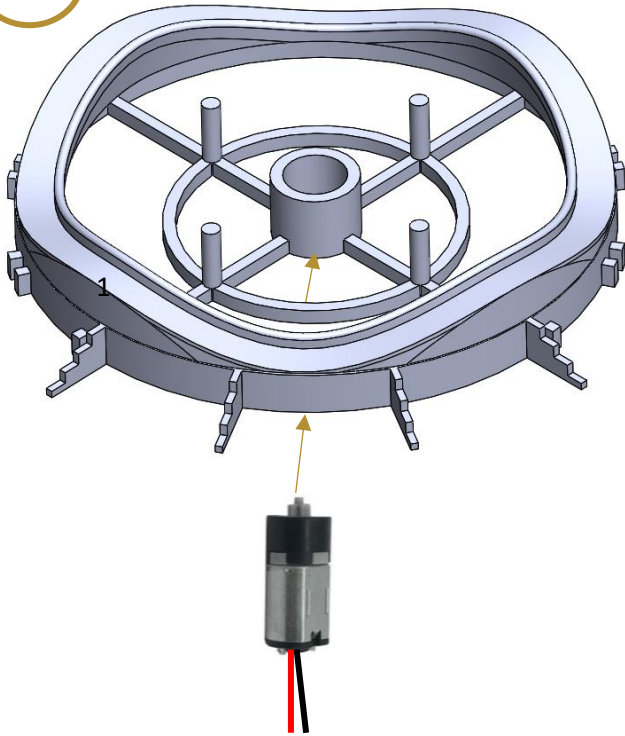


1B

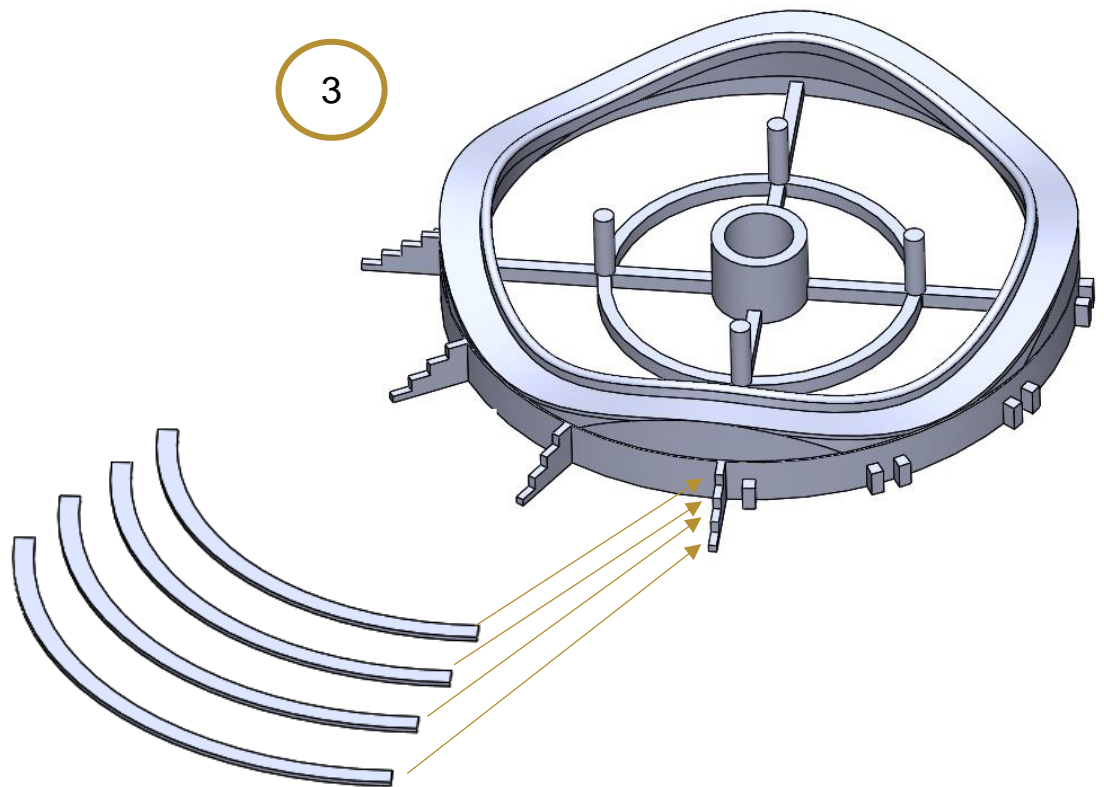


Align lowest section with ride centre

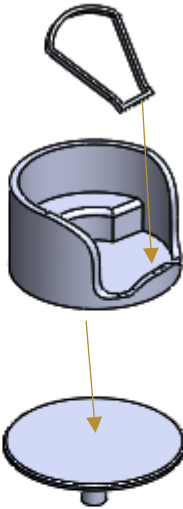
2



3

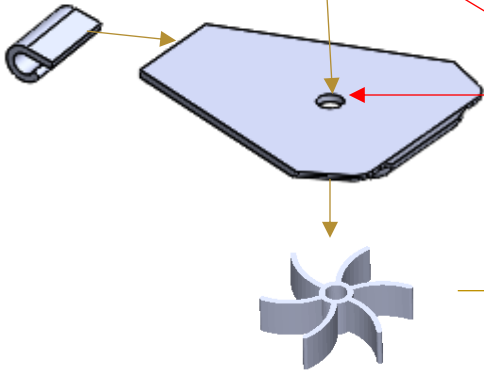
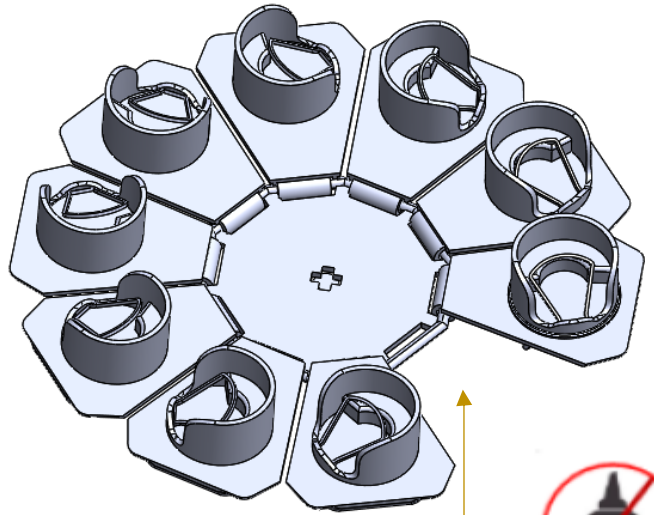


4



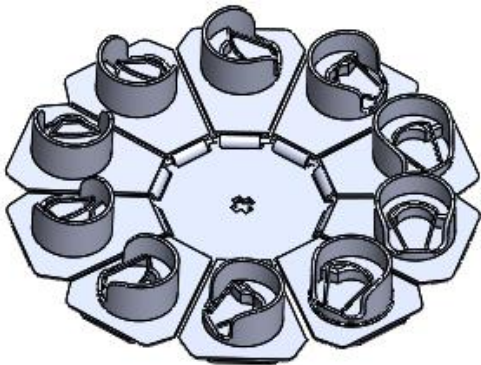
x10

5

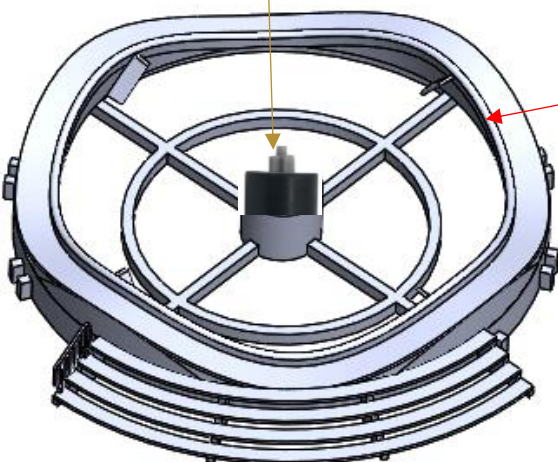


- Ensure cars can freely rotate

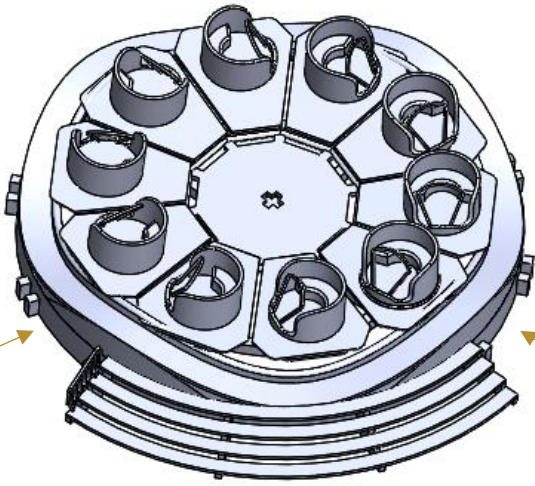
6



- Sand upstanding edge for smoother running
- Lubrication optional

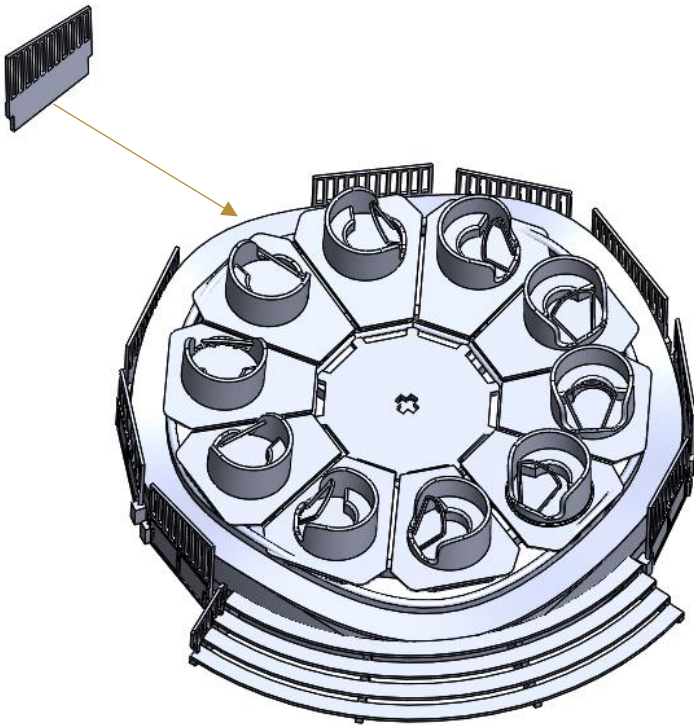


7



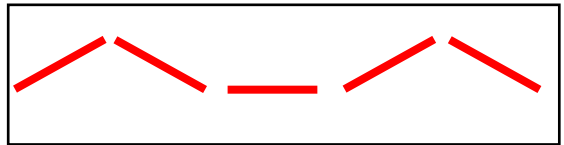
Front fence pieces are shorter, ensure correct ones are used here.

8

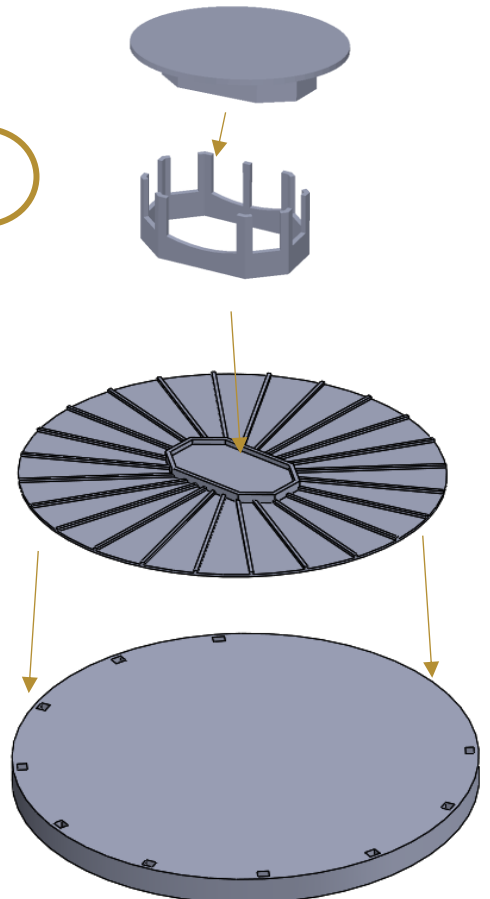


It is possible to slightly bend/curve the fence pieces to follow curve of the base

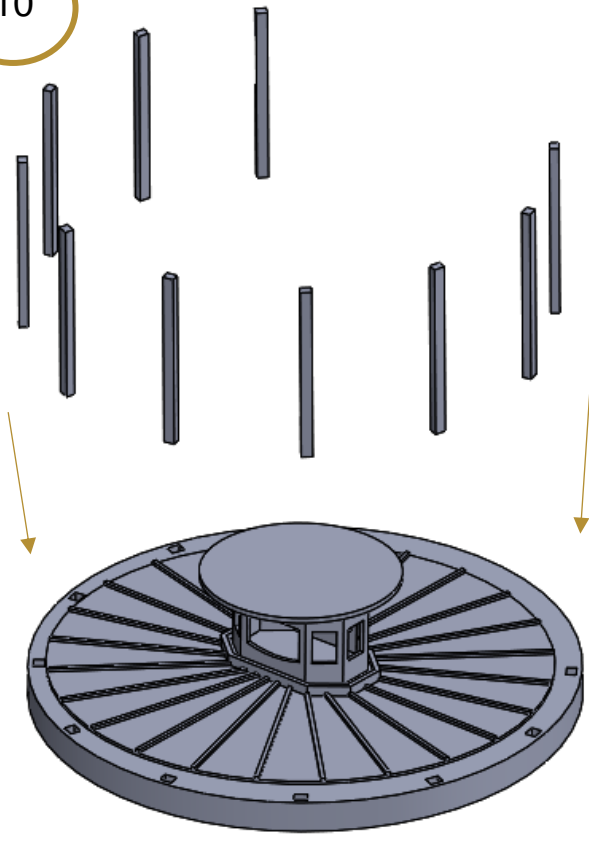
Fence Pattern:



9



10



11

