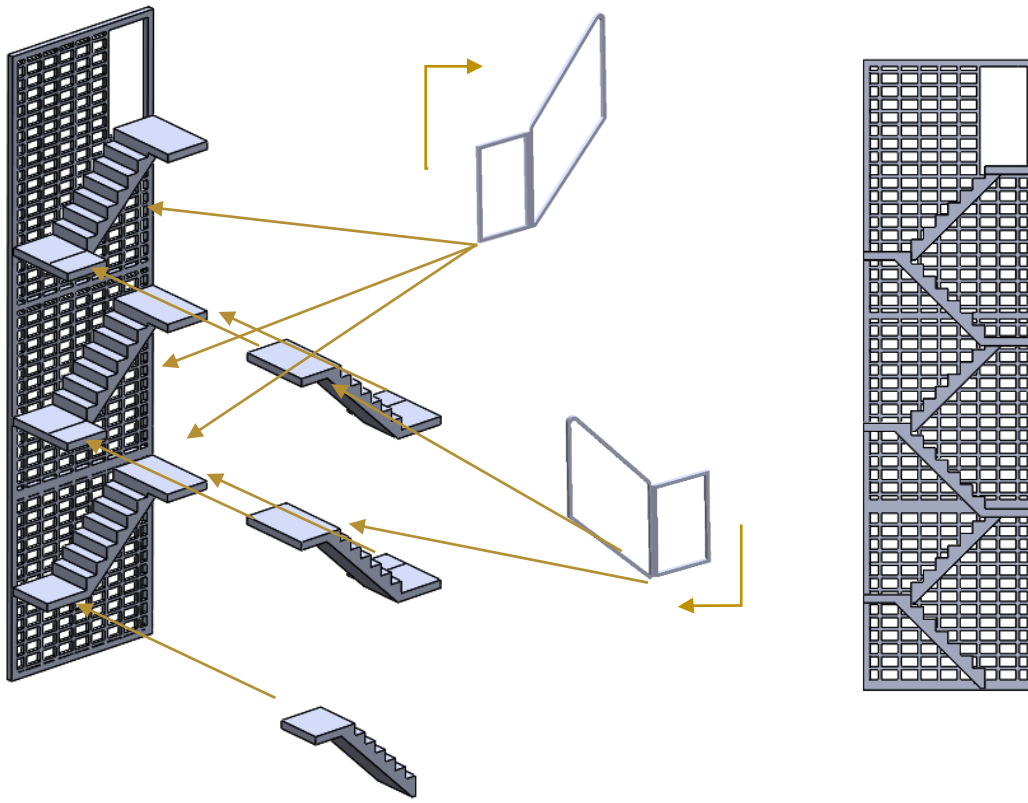
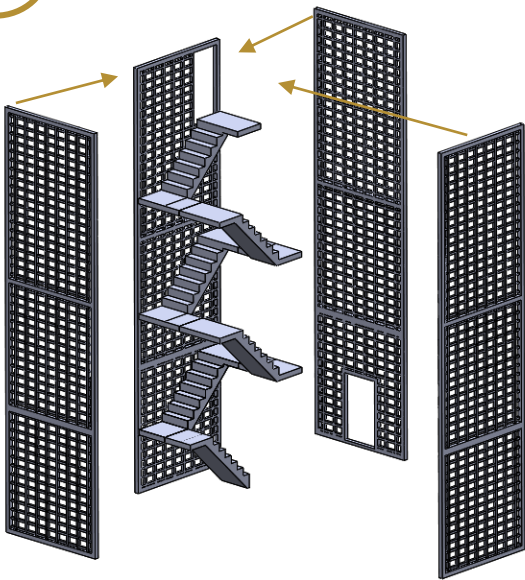


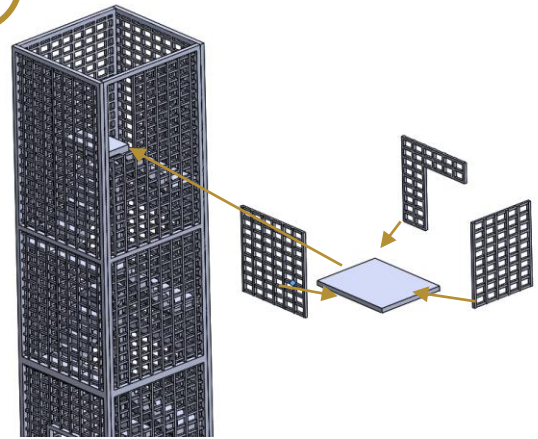
1



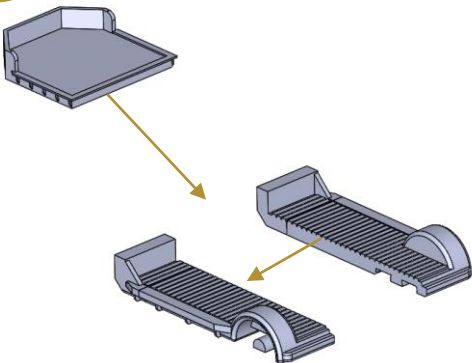
2



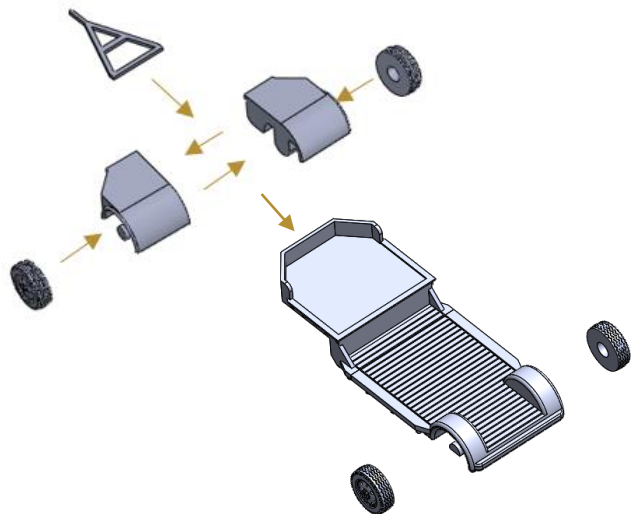
3

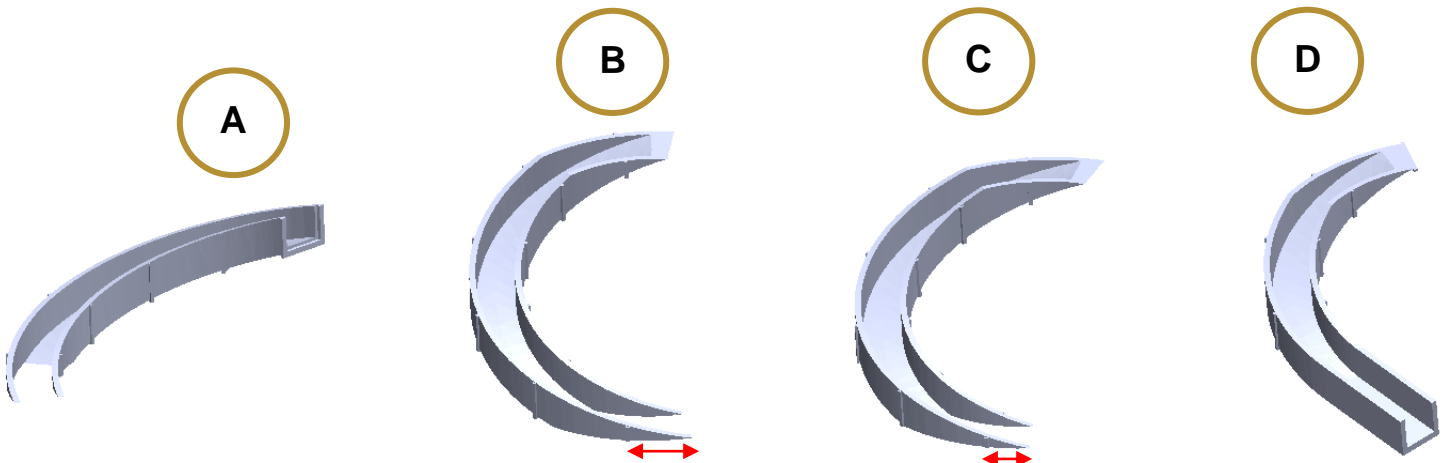
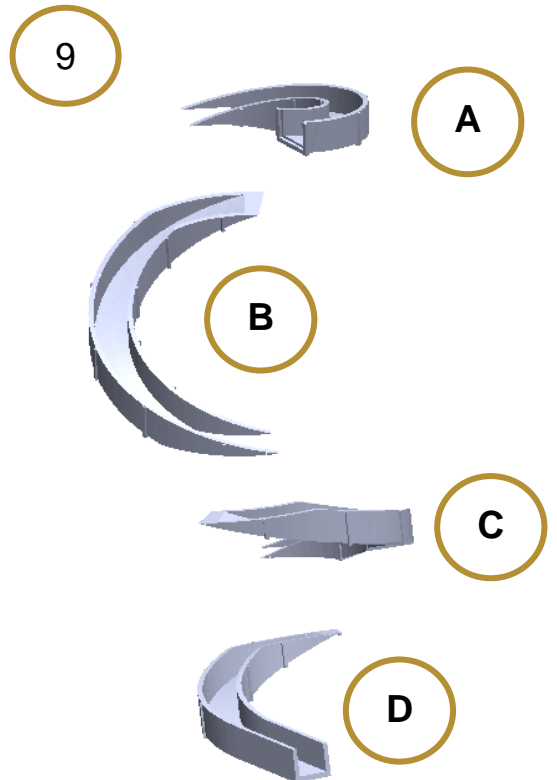
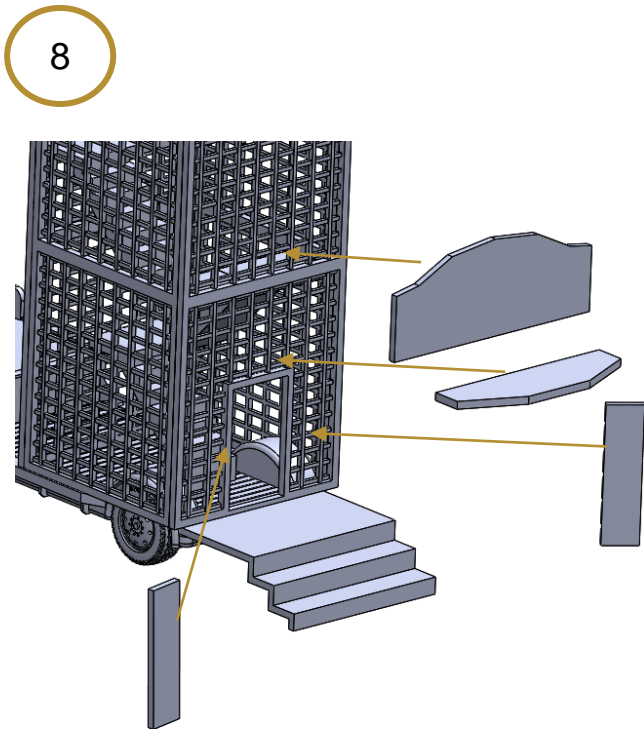
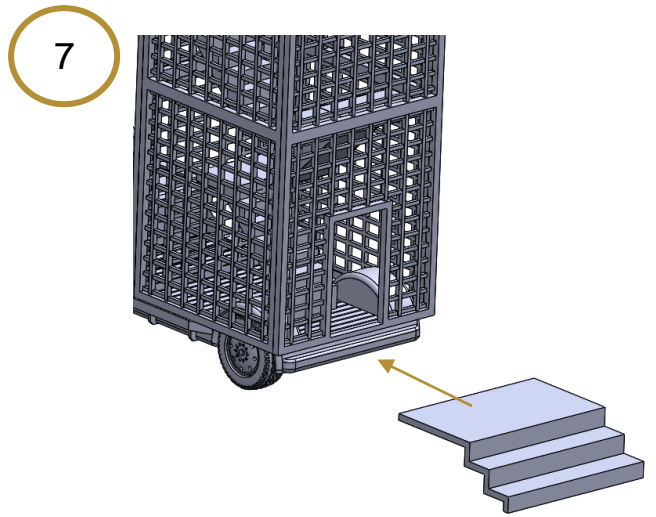
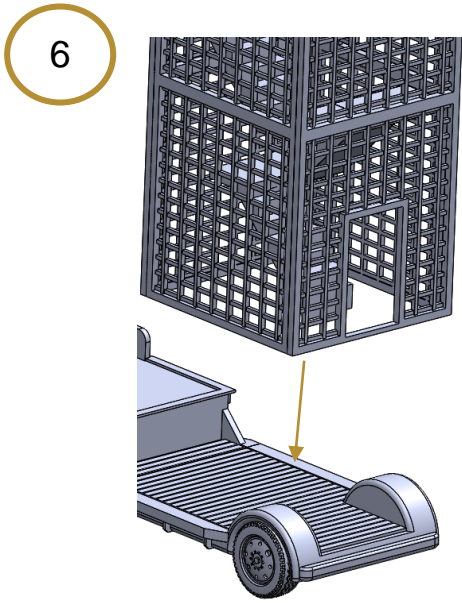


4



5

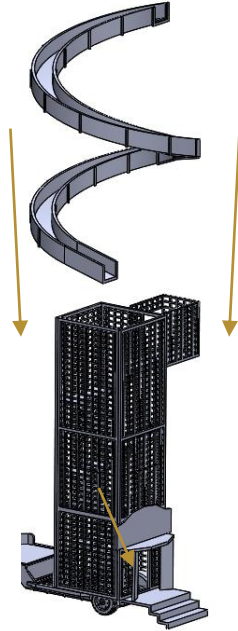




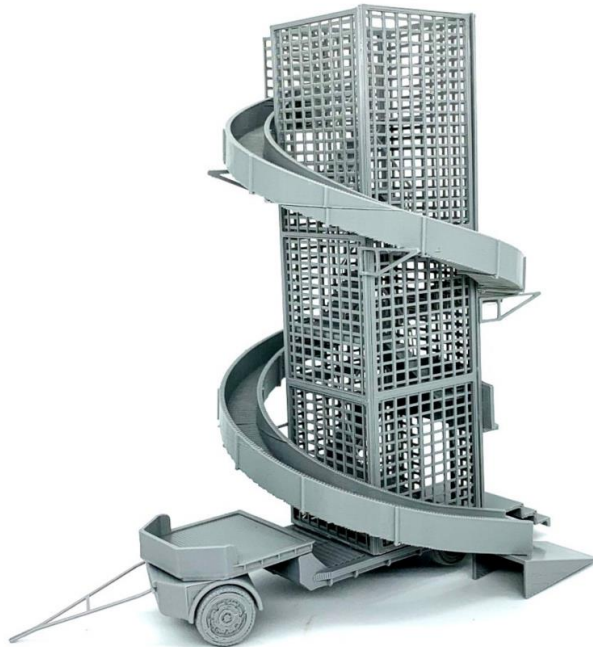
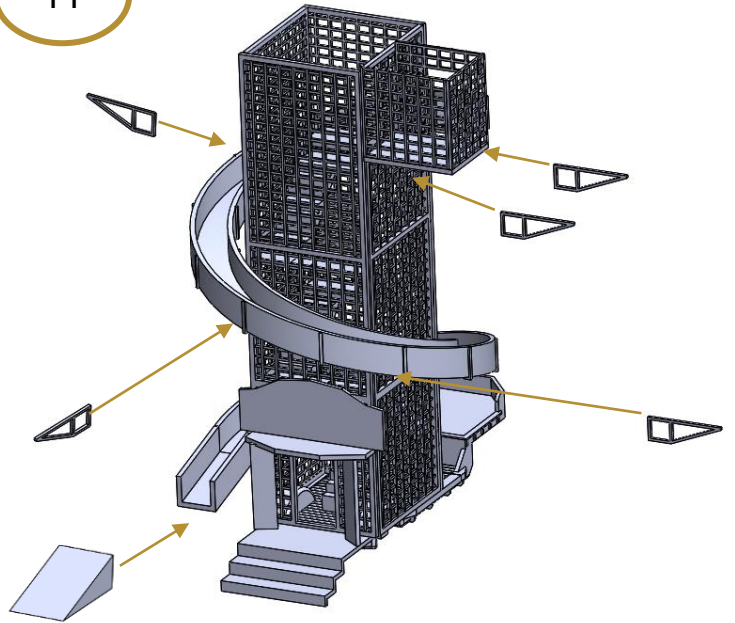
Please Note:

Parts B and C are very similar, use the distance of the first notch from the edge as an identifier, as shown by the arrows above.

10



11



DAPR