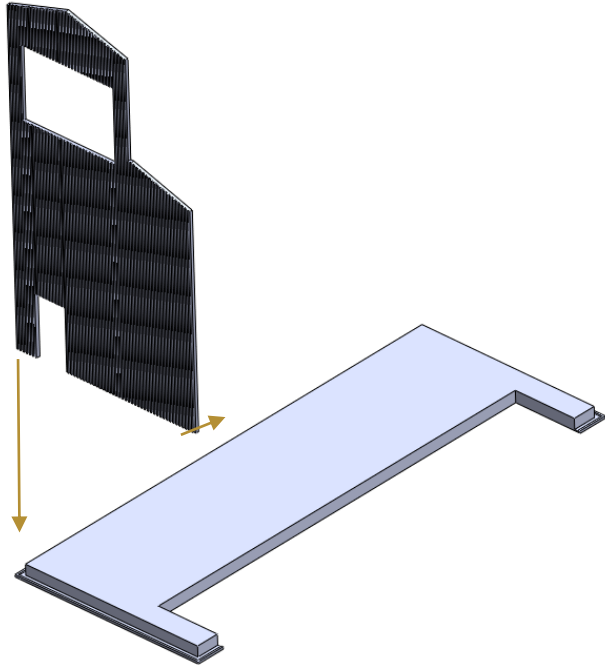
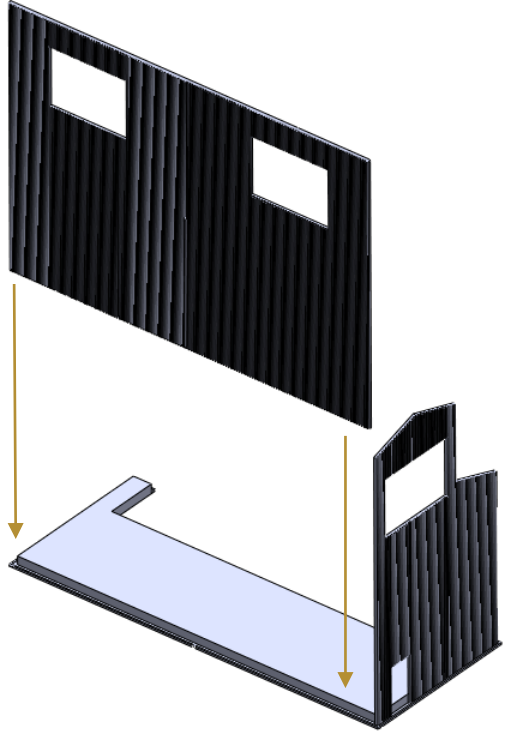


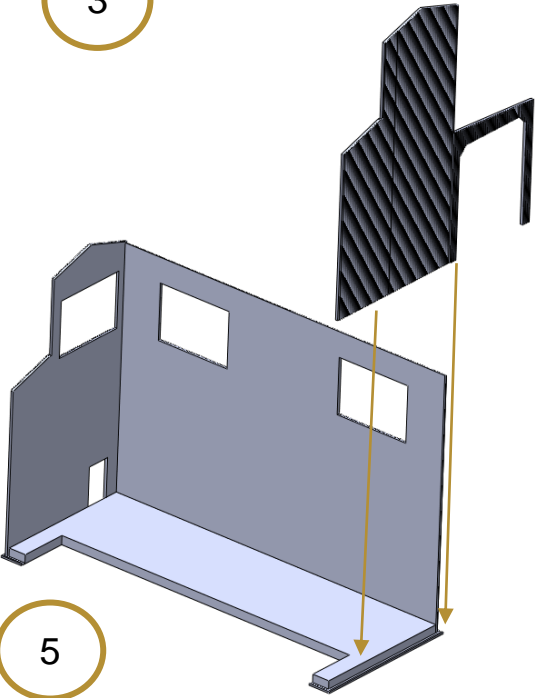
1



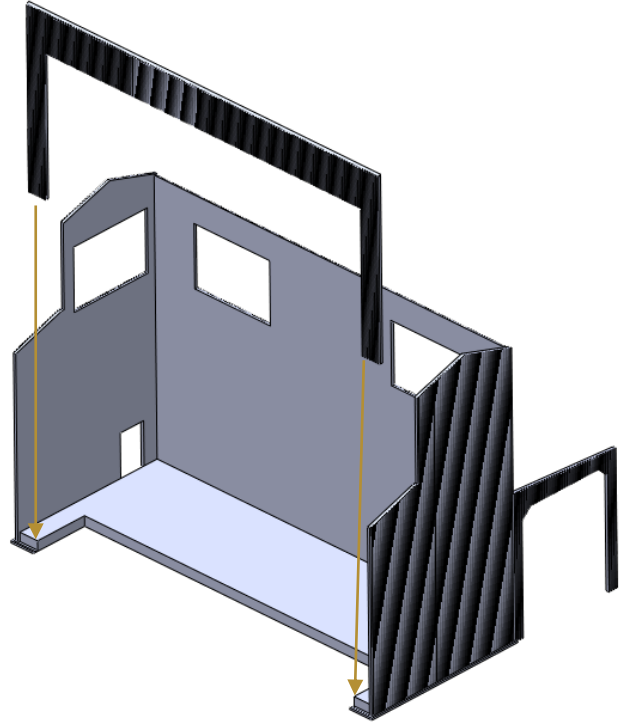
2



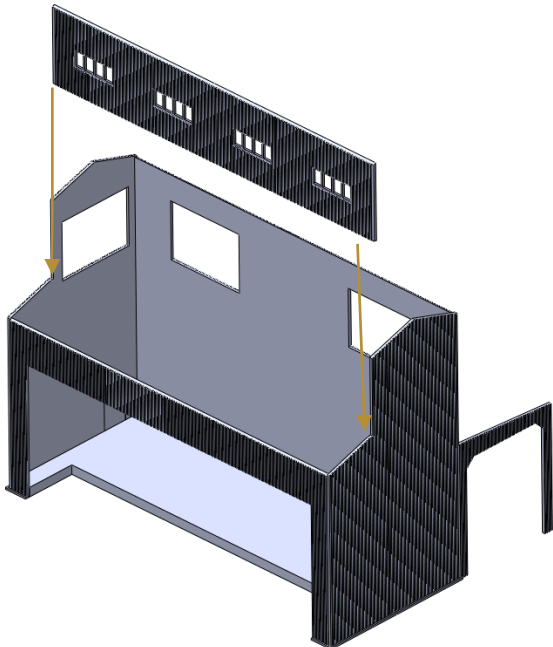
3



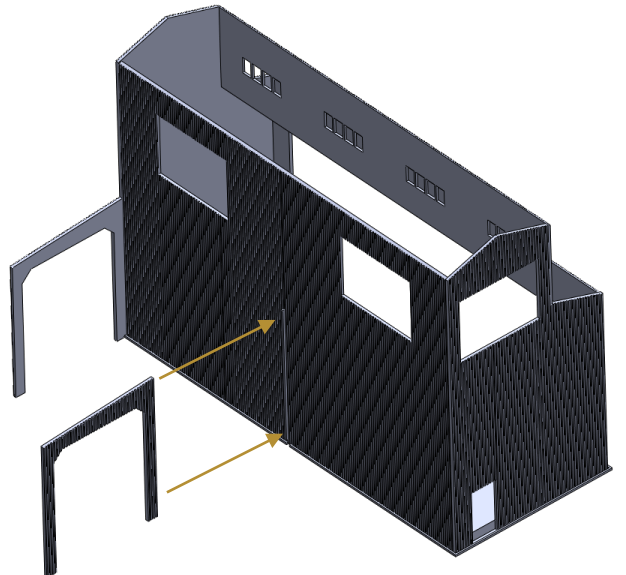
4

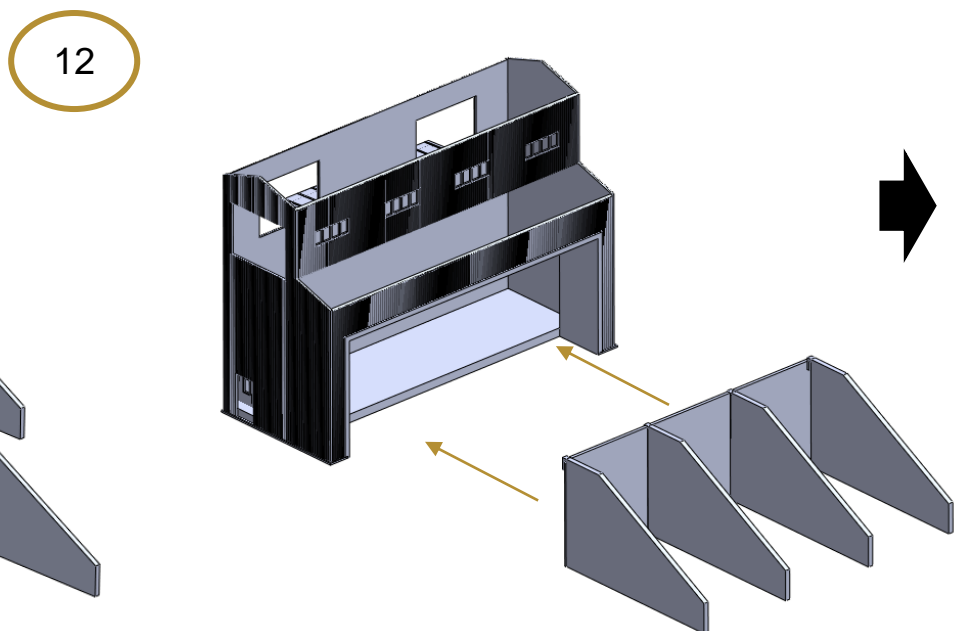
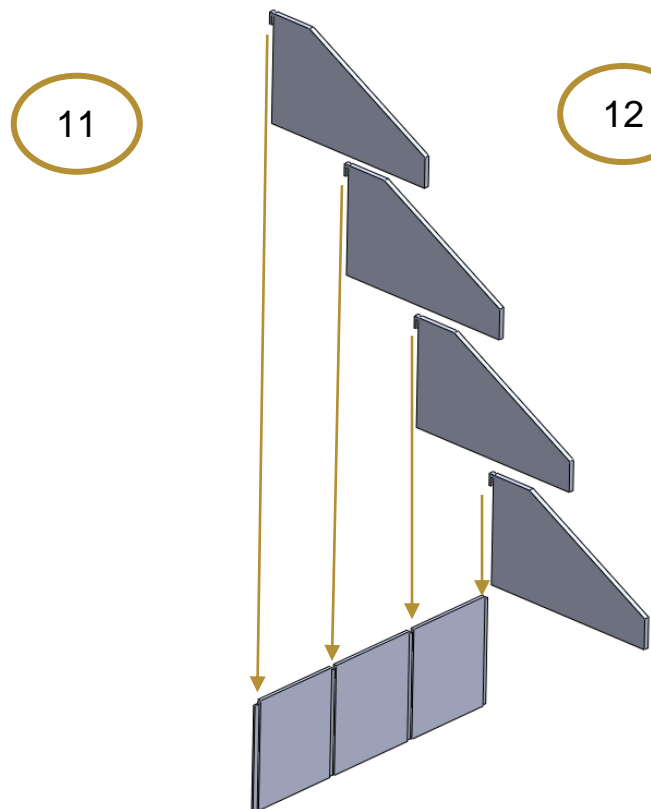
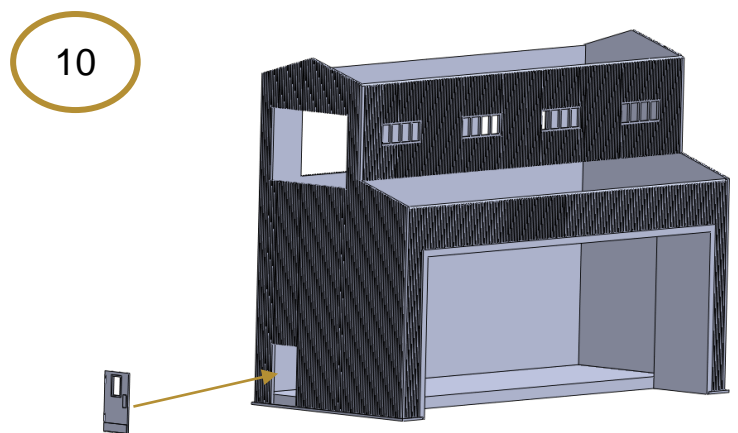
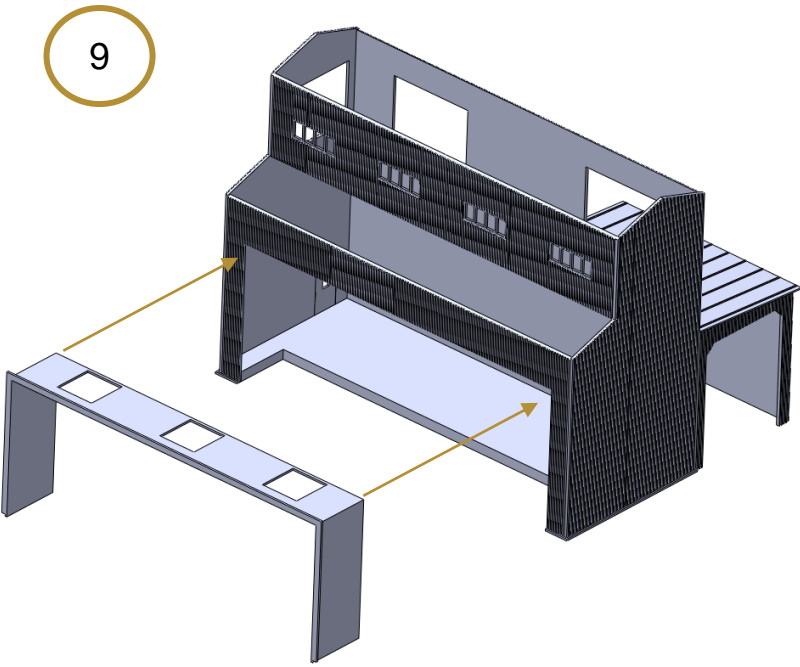
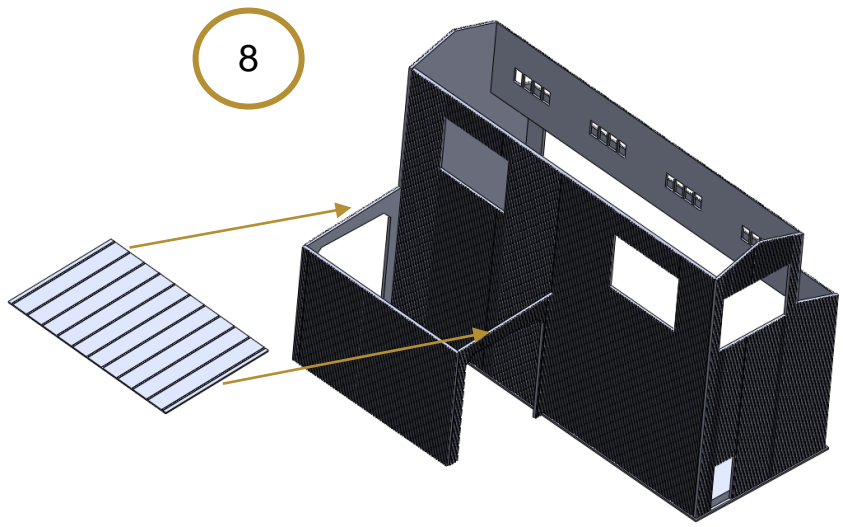
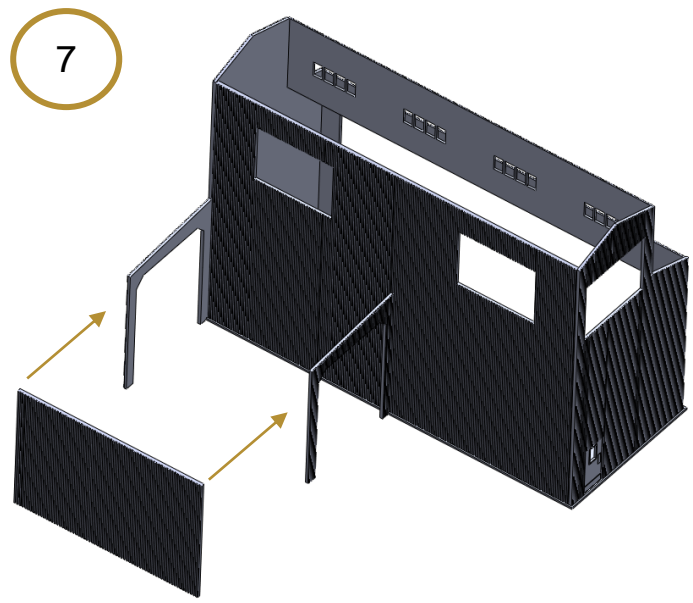


5

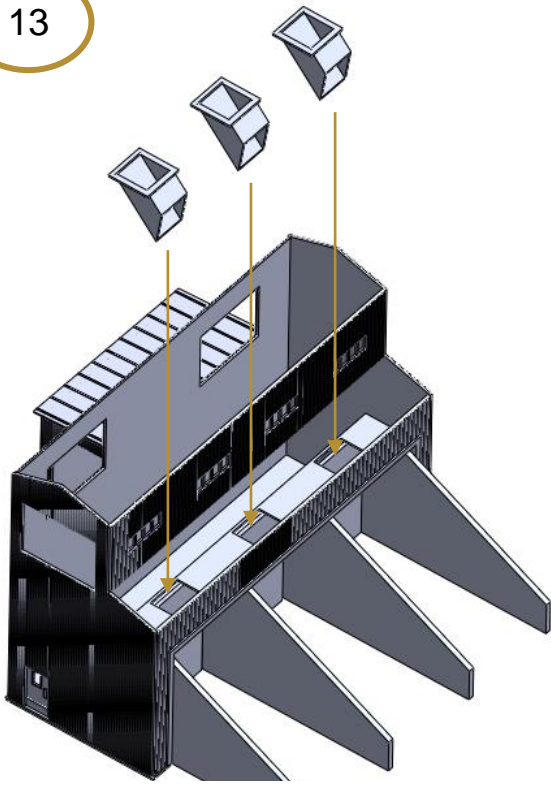


6

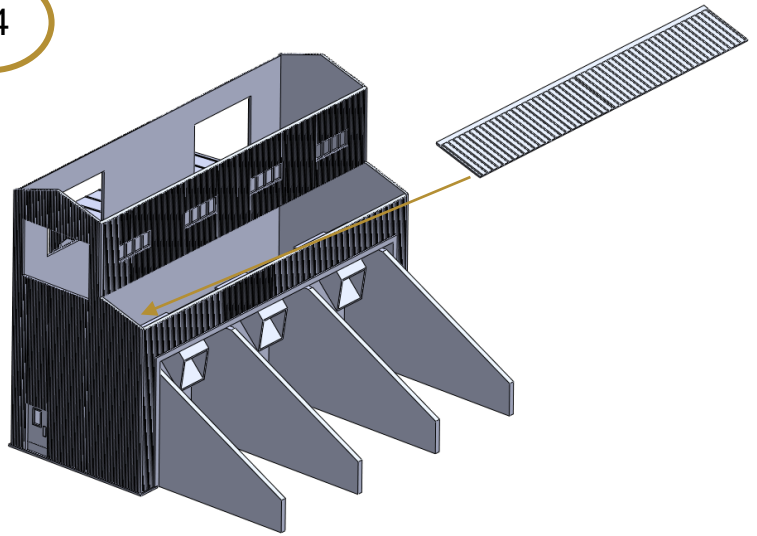




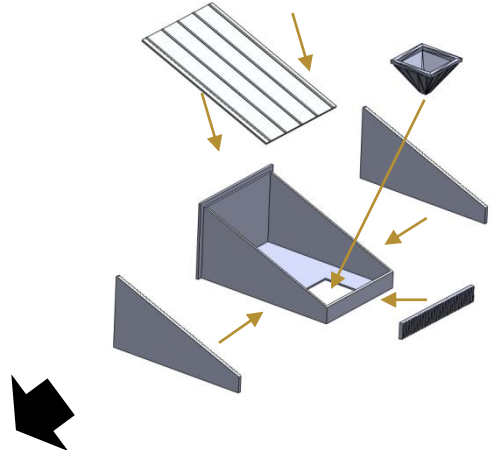
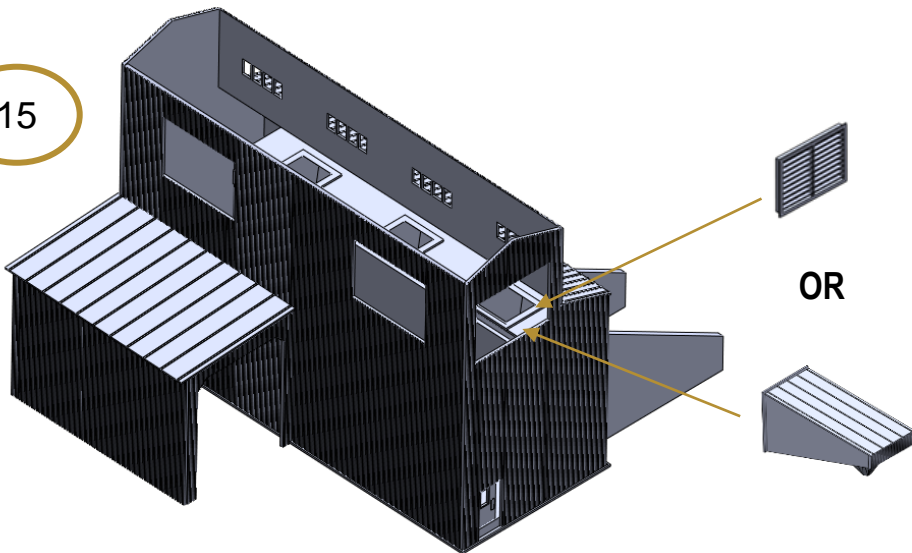
13



14

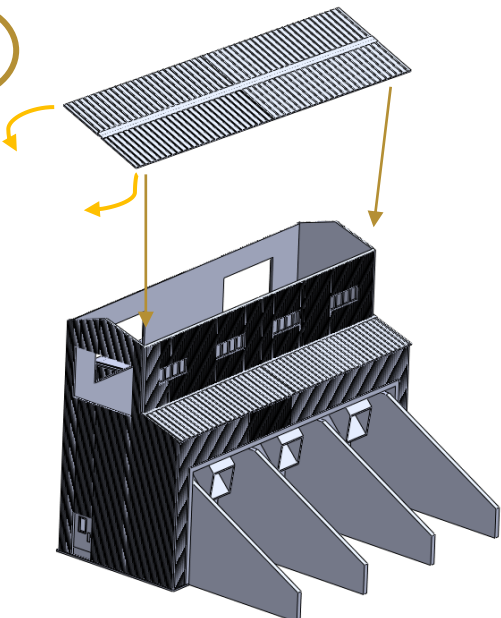


15



Leave openings clear if using conveyors

16





DAPR