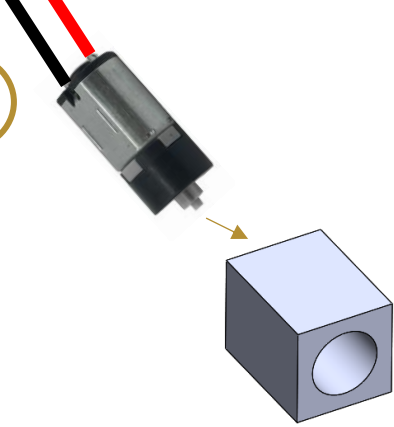
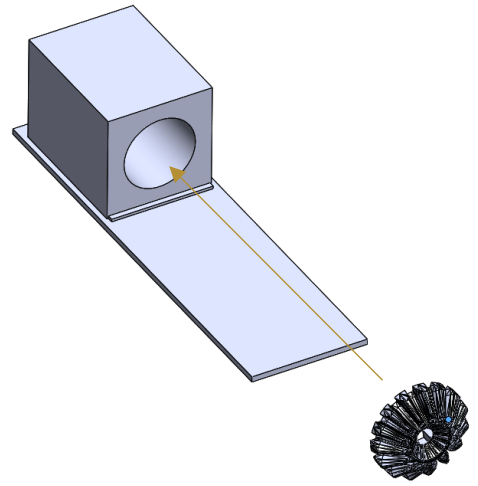


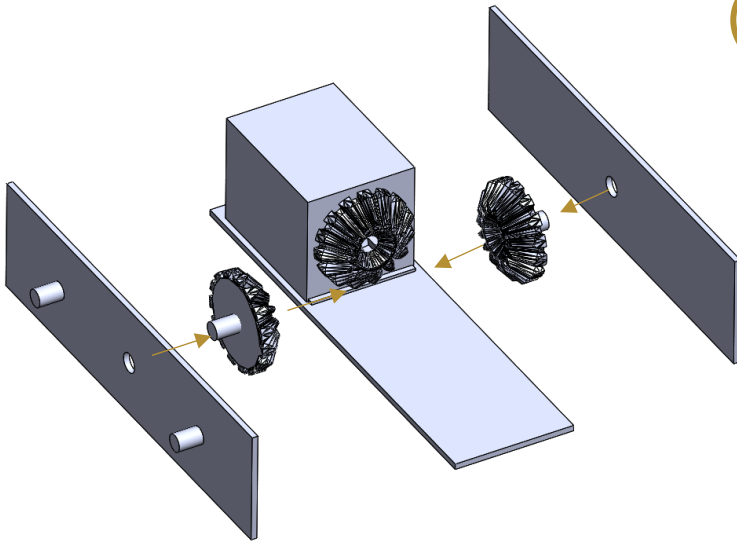
1



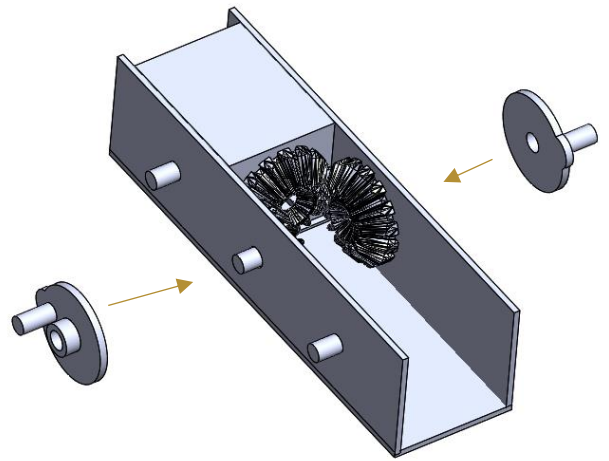
2



3



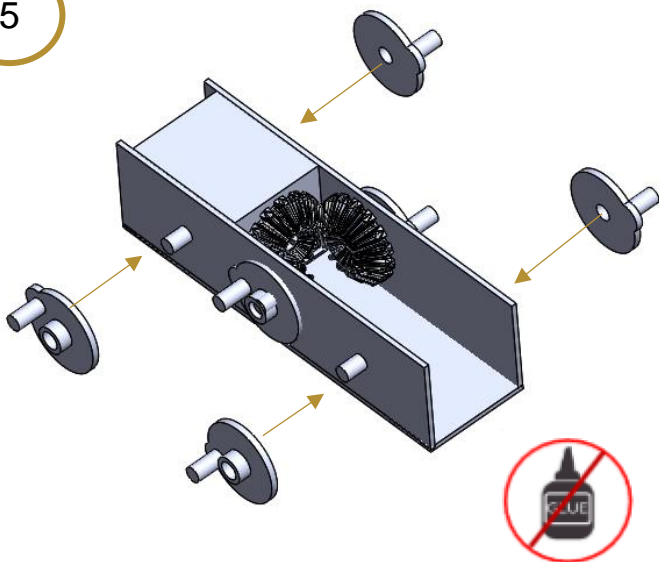
4



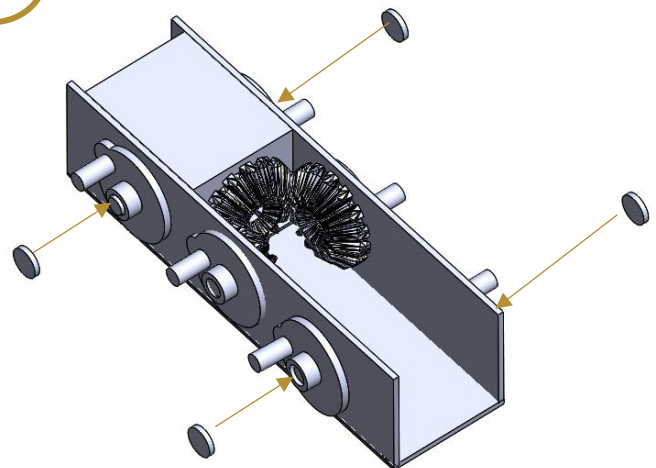
Install cam in opposite directions

Use minimal glue to ensure mechanism is free to move

5

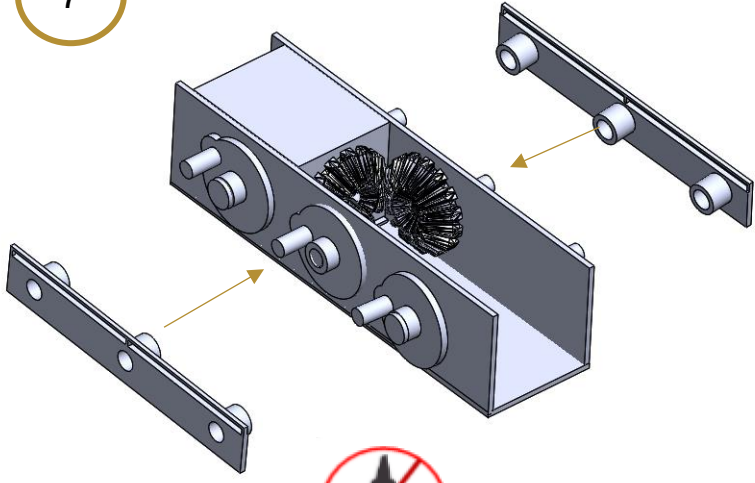


6

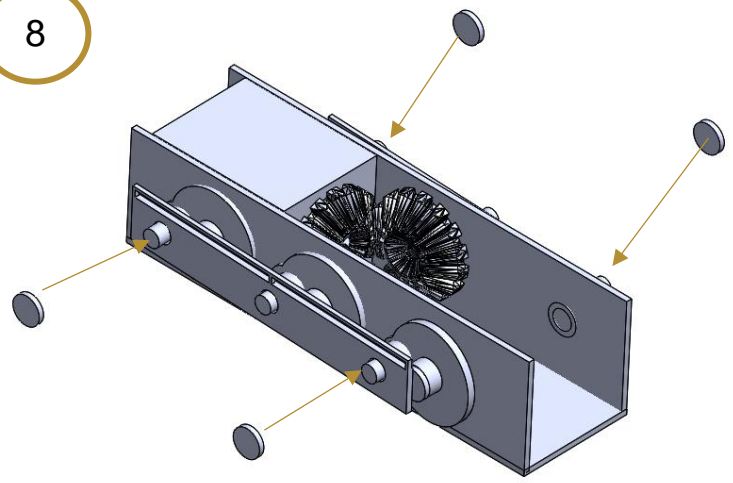


Use minimal glue to ensure mechanism is free to move

7

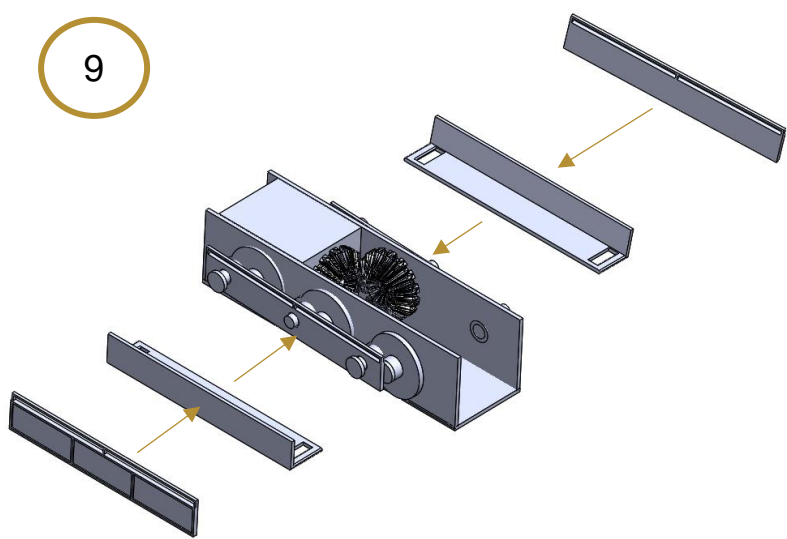


8

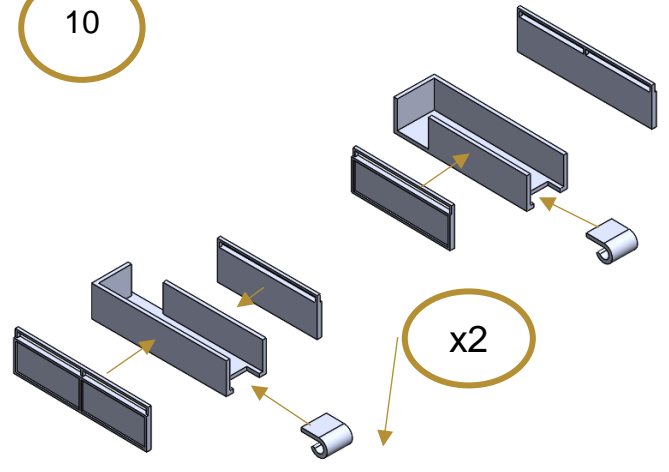


Use minimal glue to ensure mechanism is free to move

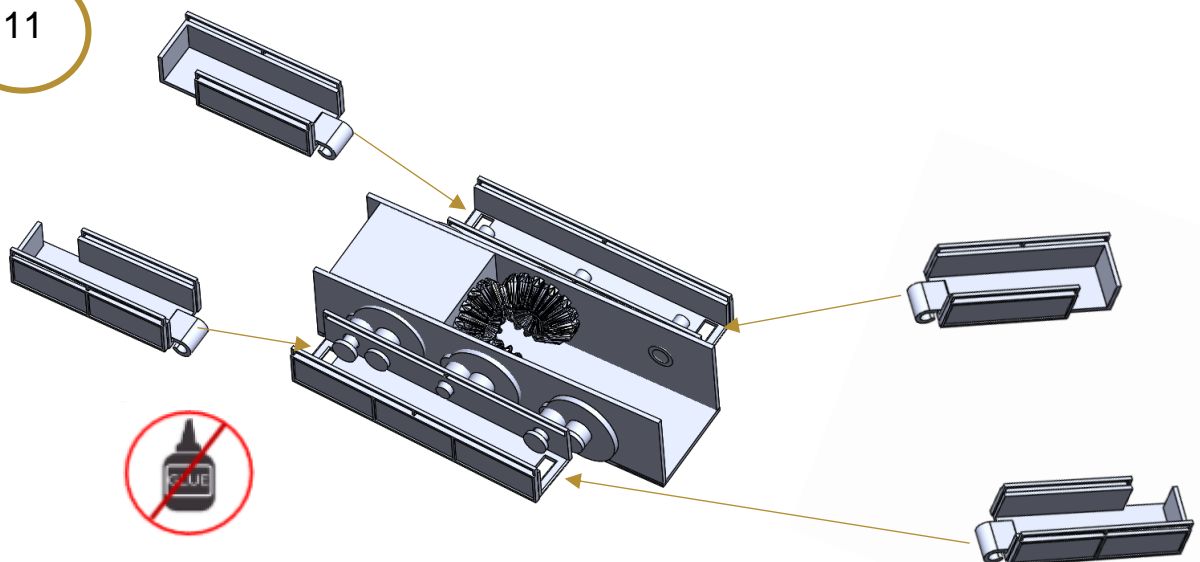
9



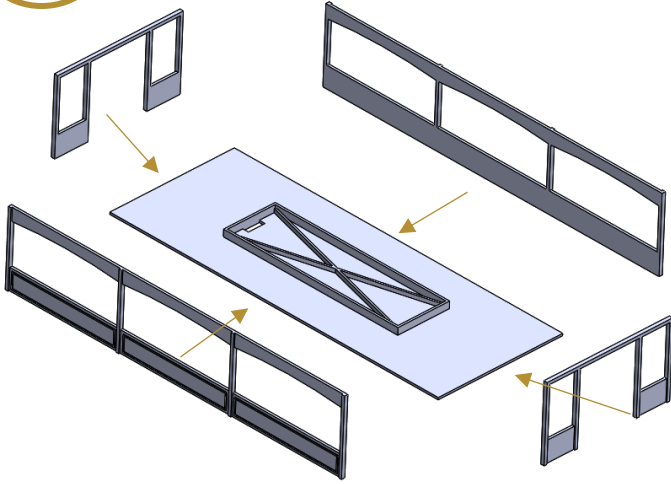
10



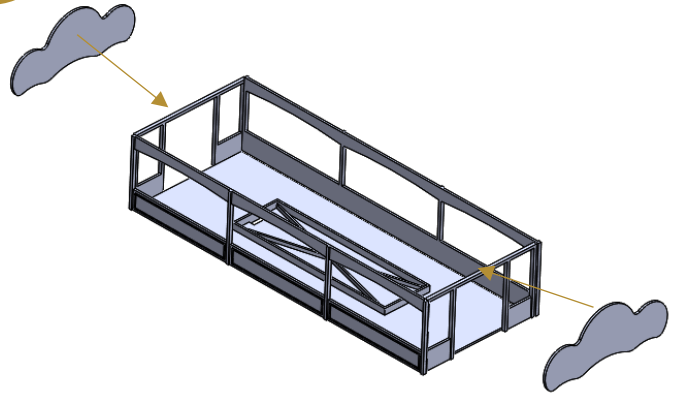
11



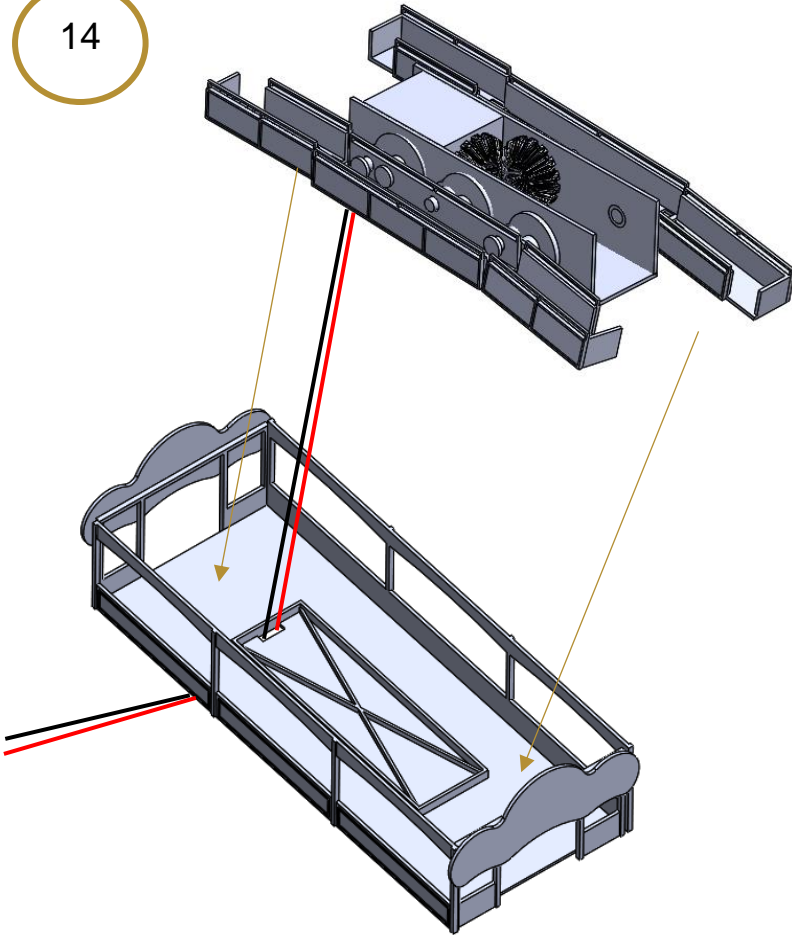
12



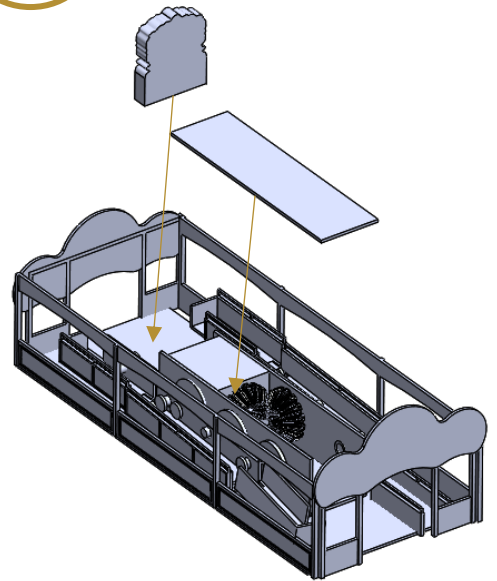
13



14



15





DAPR