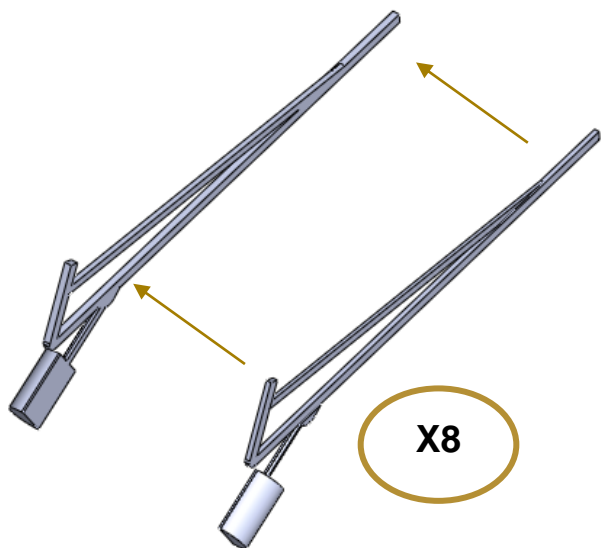
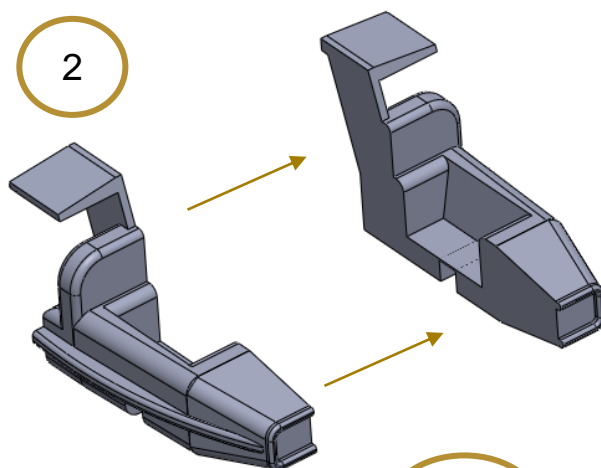


1

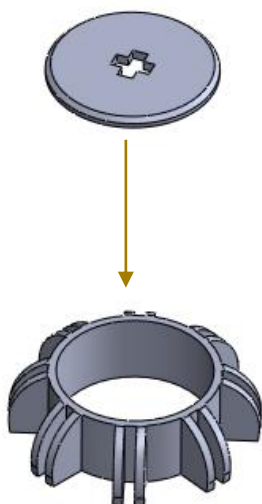
*although some parts may appear slightly different, the construction process is identical to the N gauge version



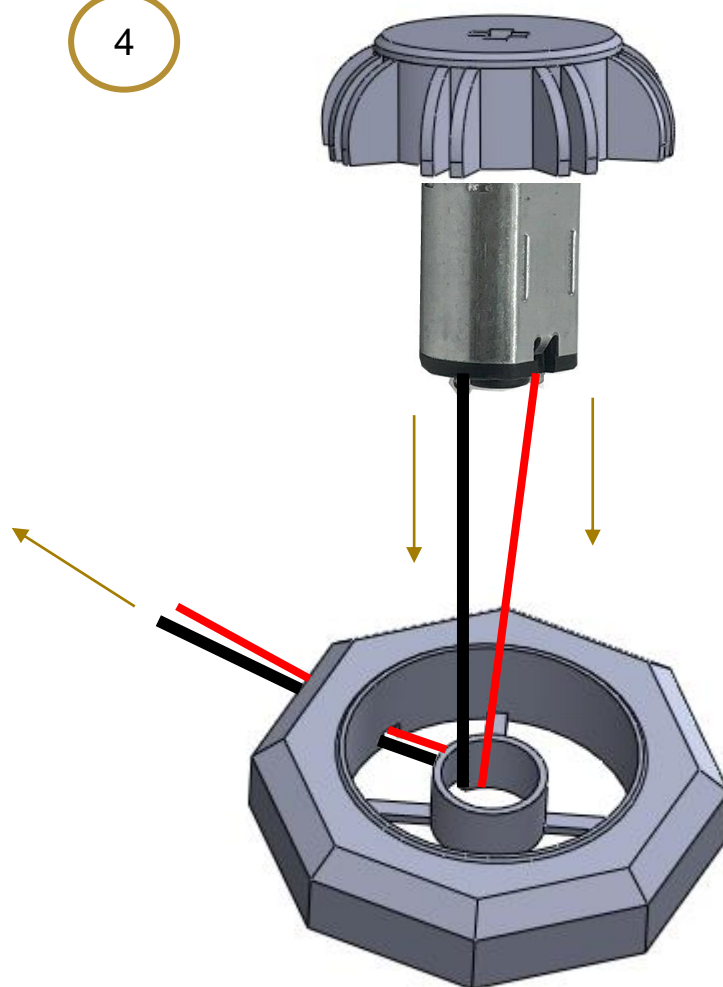
2



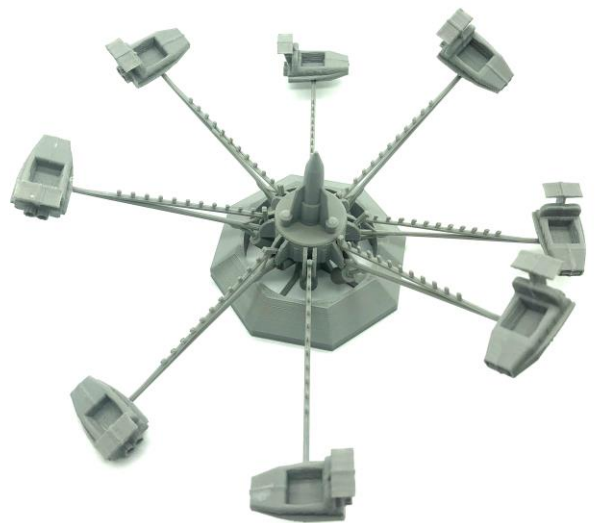
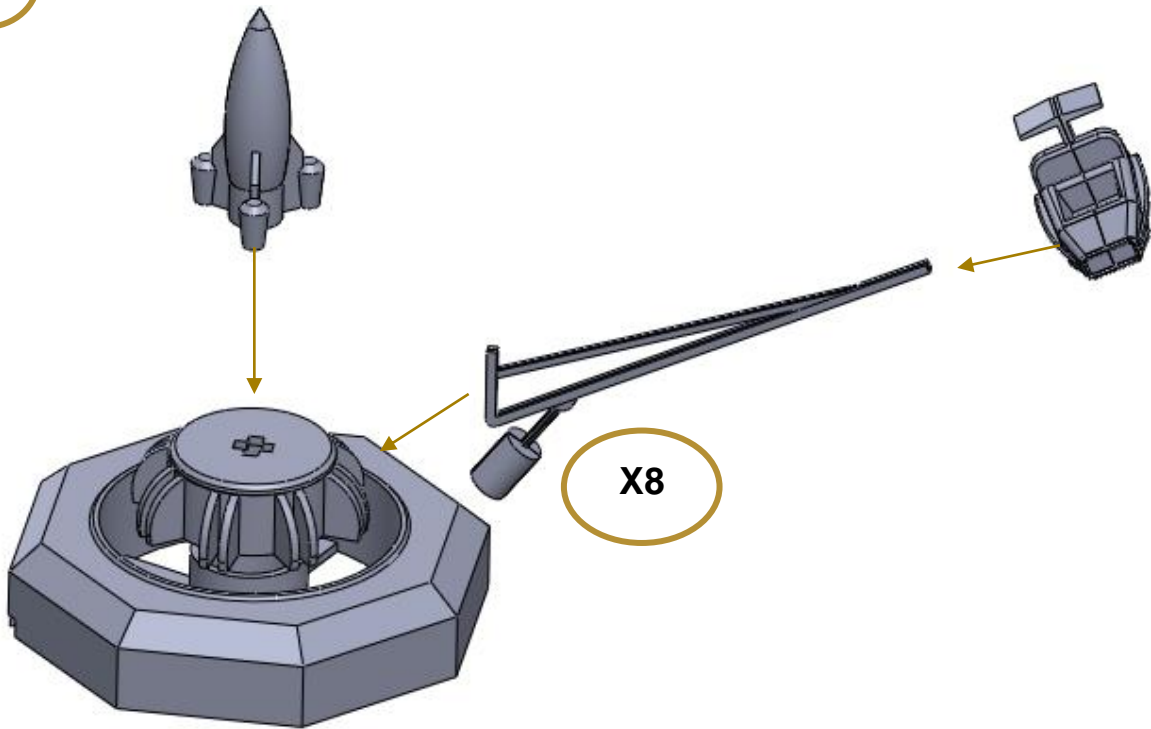
3



4



5



D A P R