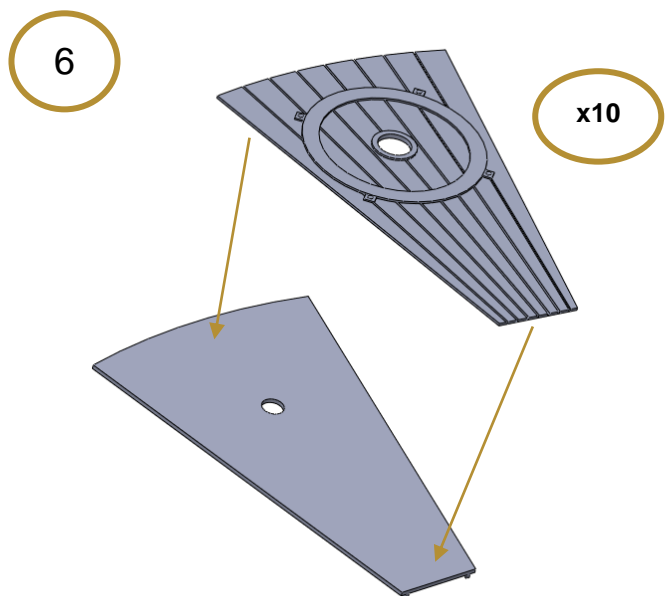
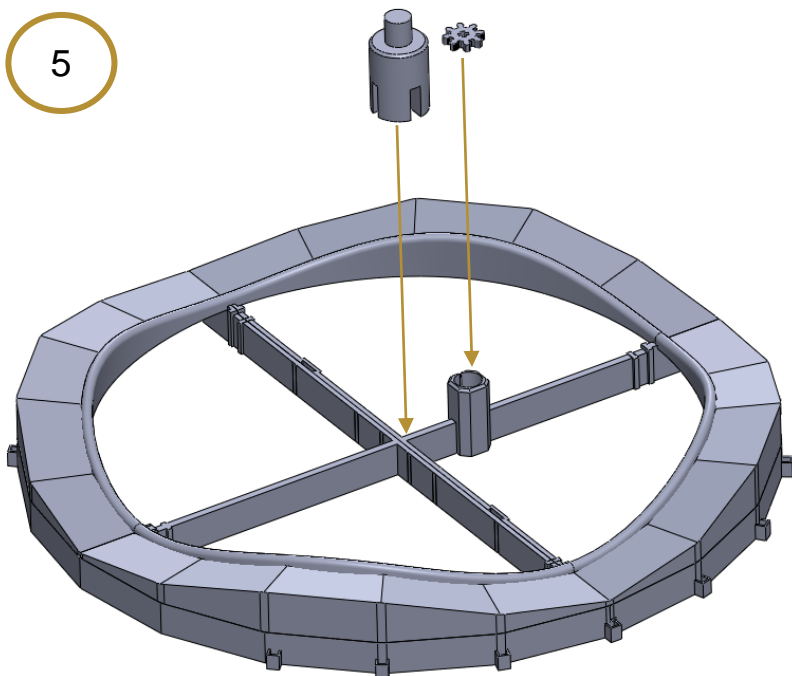
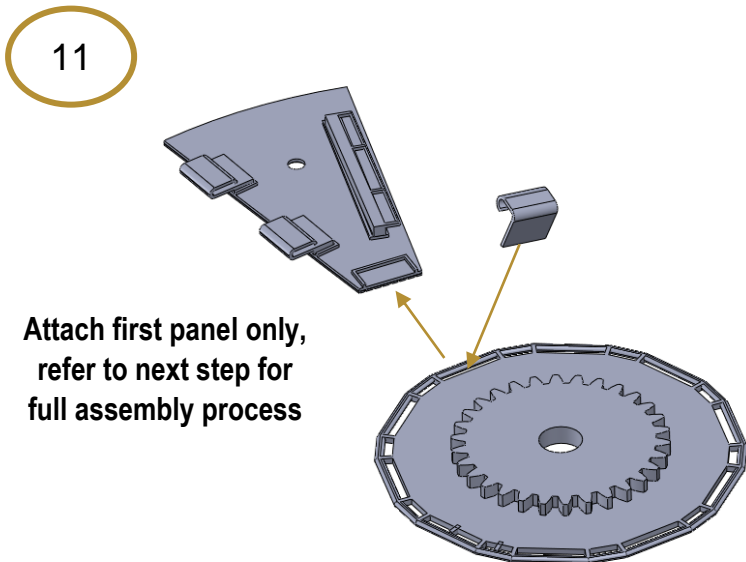
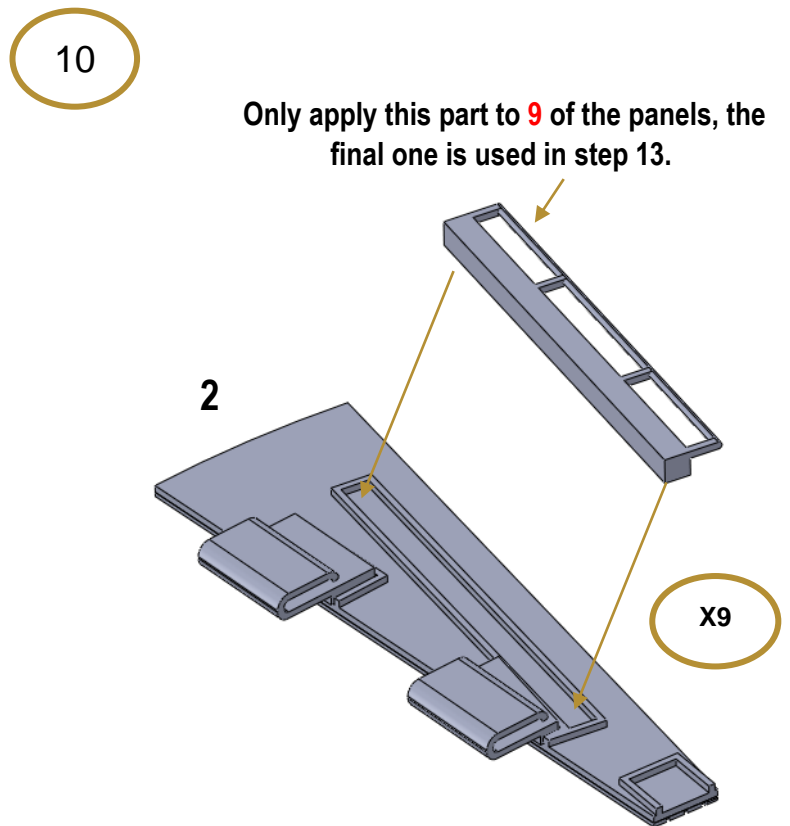
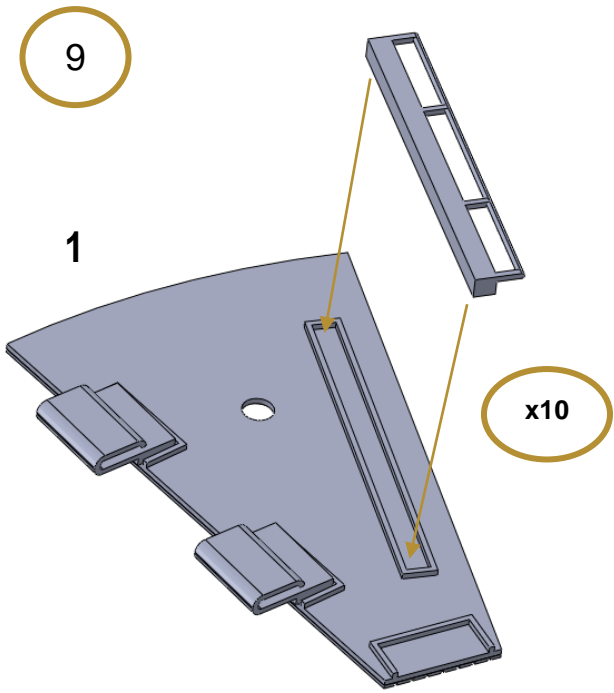
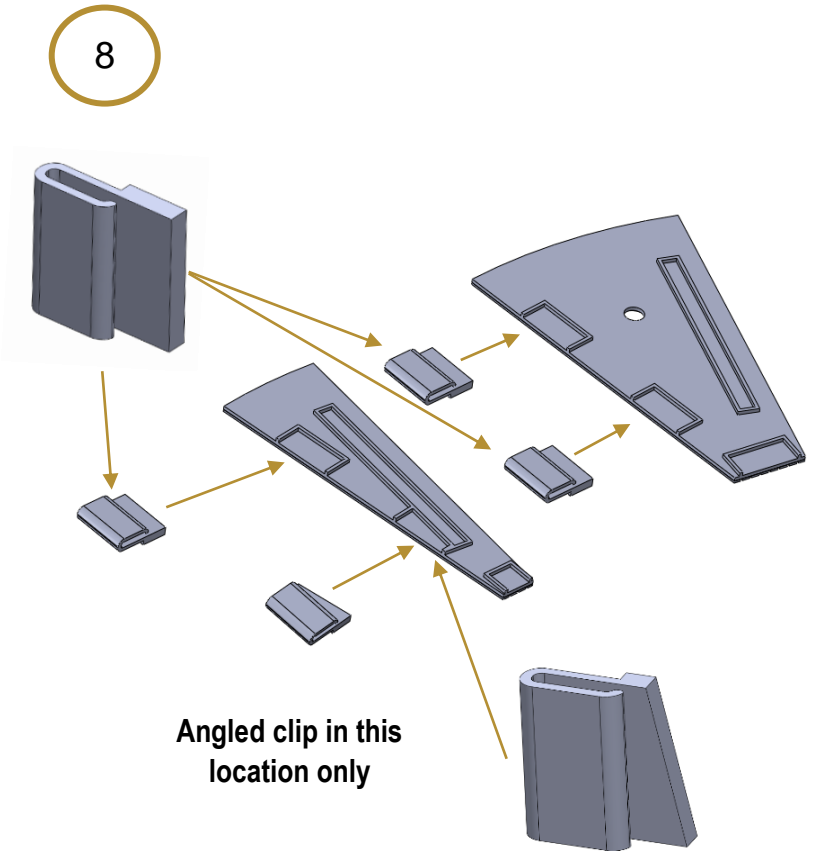
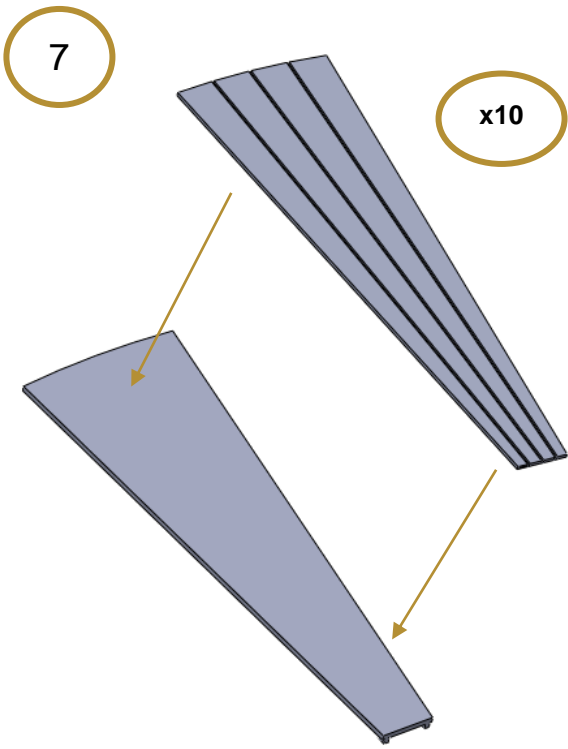
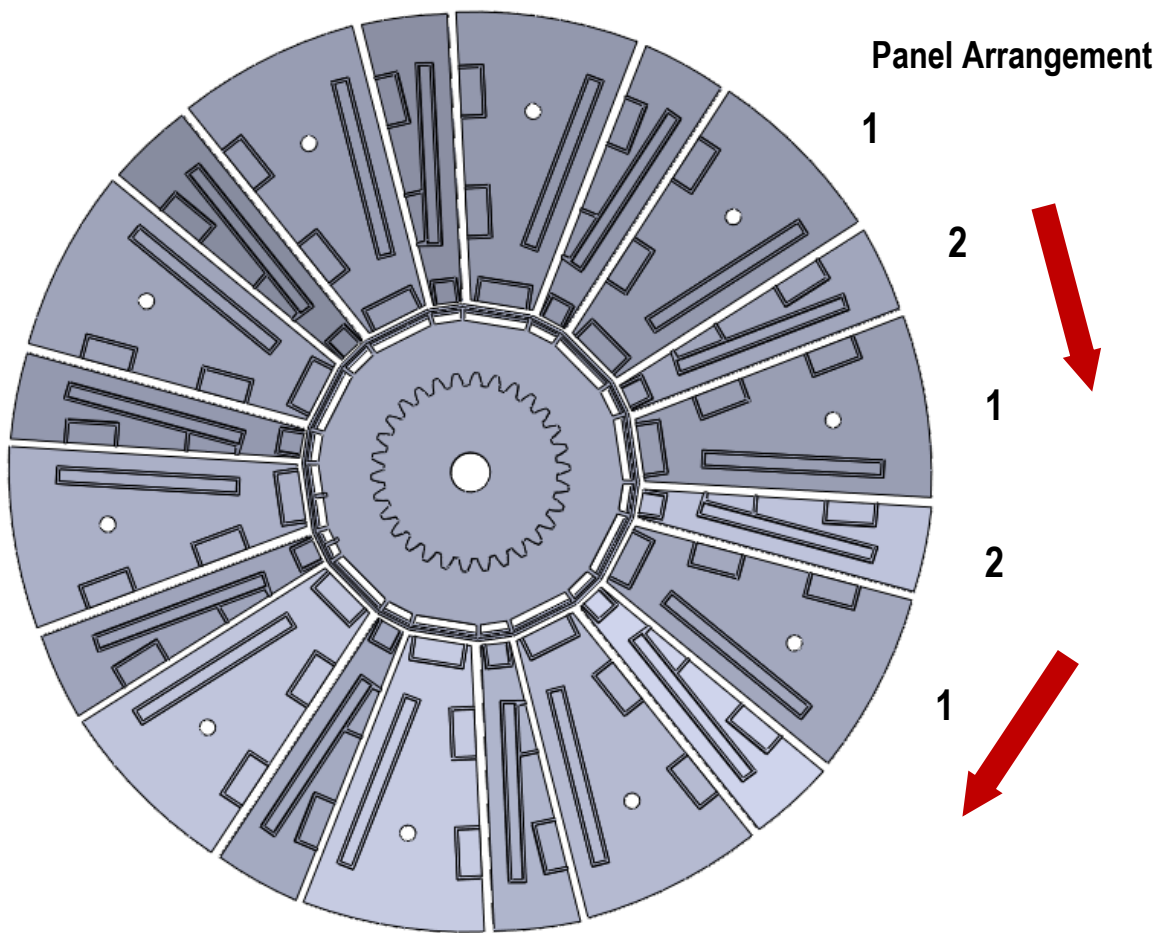


Ensure joint is flush, sand smooth if required





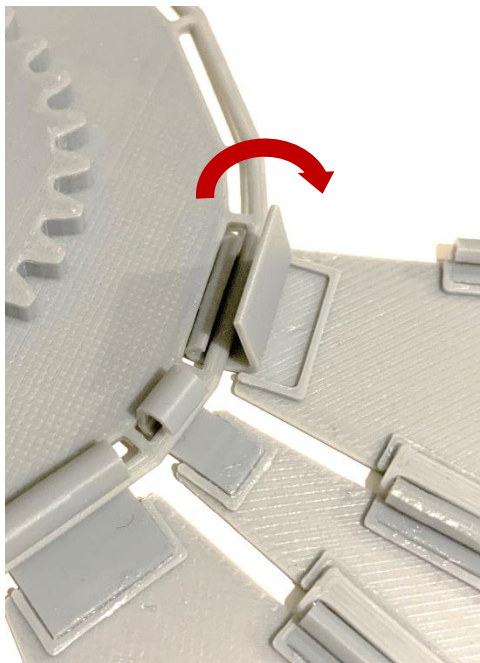


A



Alternating between panels 1 and 2, attach the clips of each panel to the receiving bar of the previous panel, then fold over, ensure it is free to move, do not use glue for this step.

B



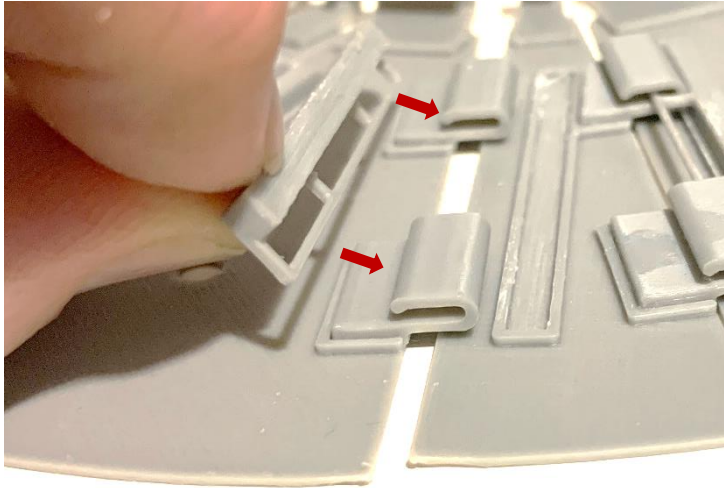
As each panel is installed, fold the end clip under the central section and align with panel tabs.

C

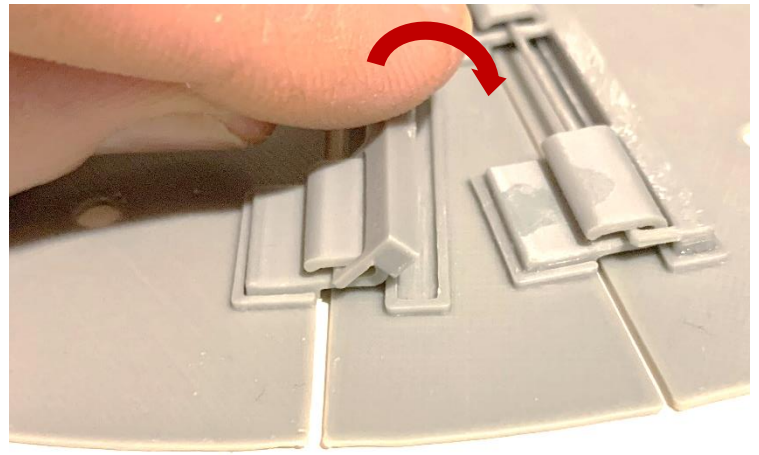


Glue tab in place, then move onto the next panel, repeating steps A to C until coming to the final panel.

13

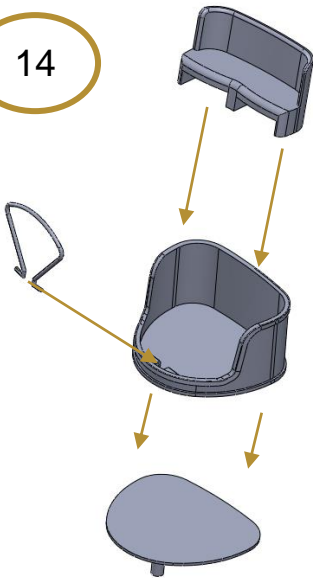


For the final panel, insert the unused bar section into the clips and fold over.

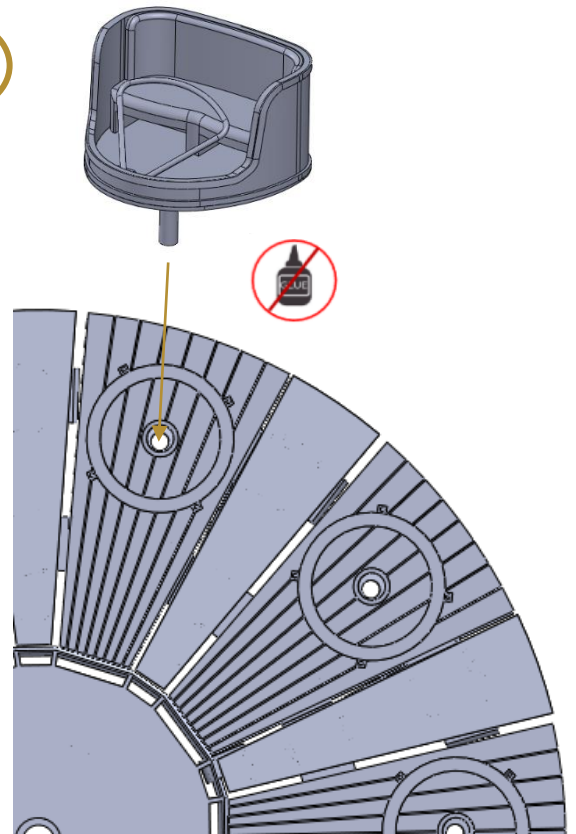


Secure with glue, completing the assembly.

14

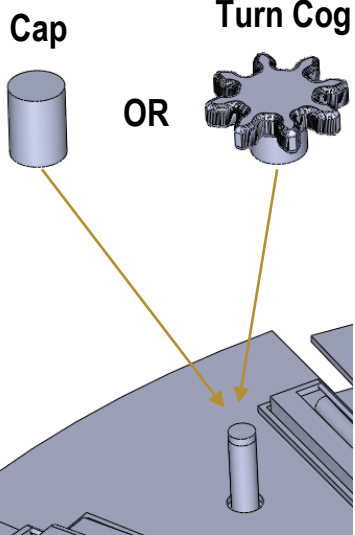


15



16

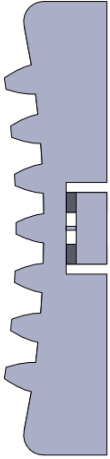
To prevent car spinning, use cap instead of turn cog.



Use minimal glue to allow car to turn freely.

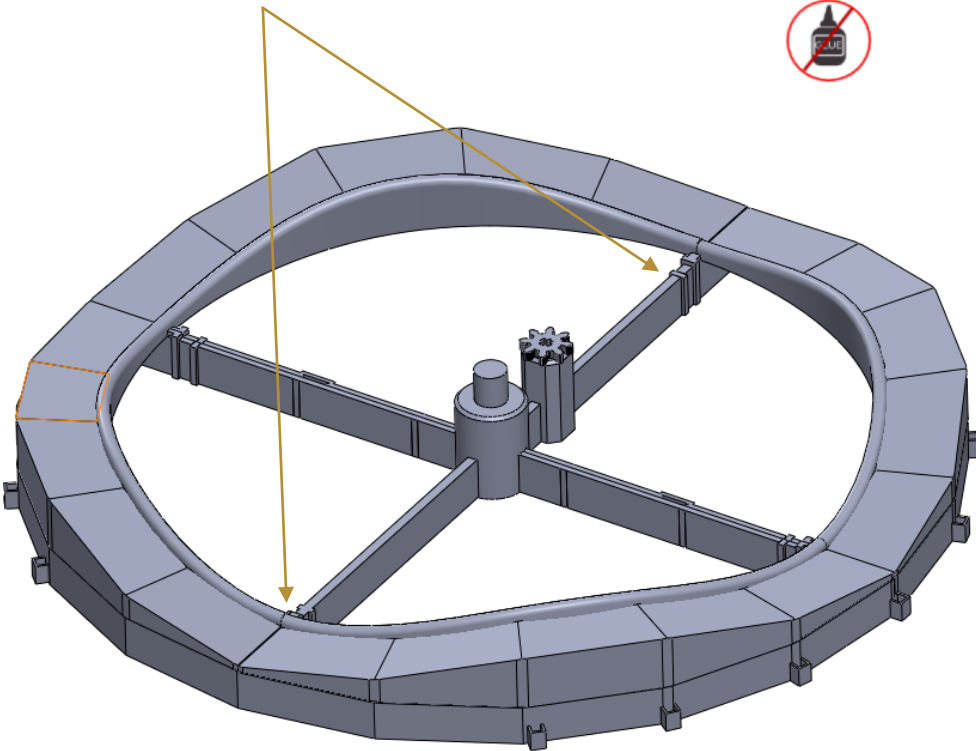
17

Turn Piece

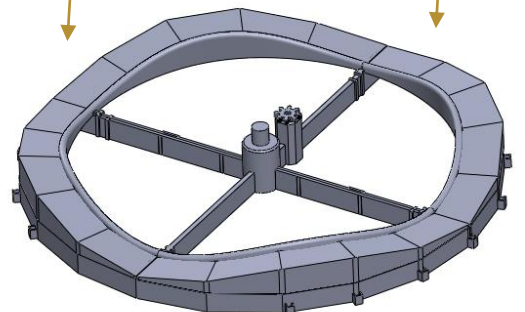
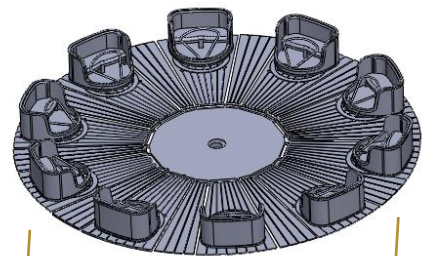


Both positions do not need to be used, test run the model with each configuration, until you are satisfied with the outcome.

They do not need to be glued in place.

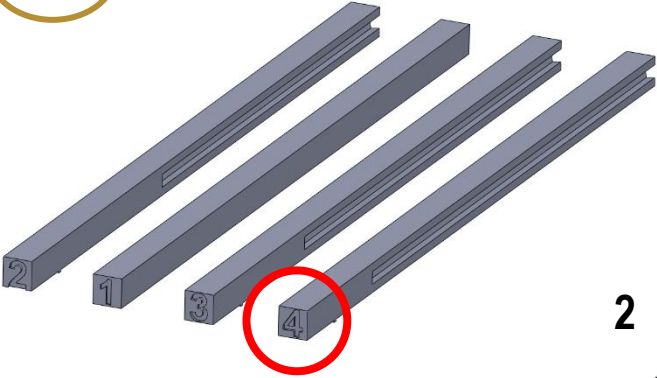


18

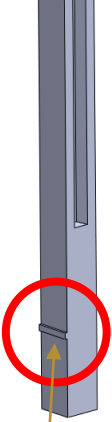
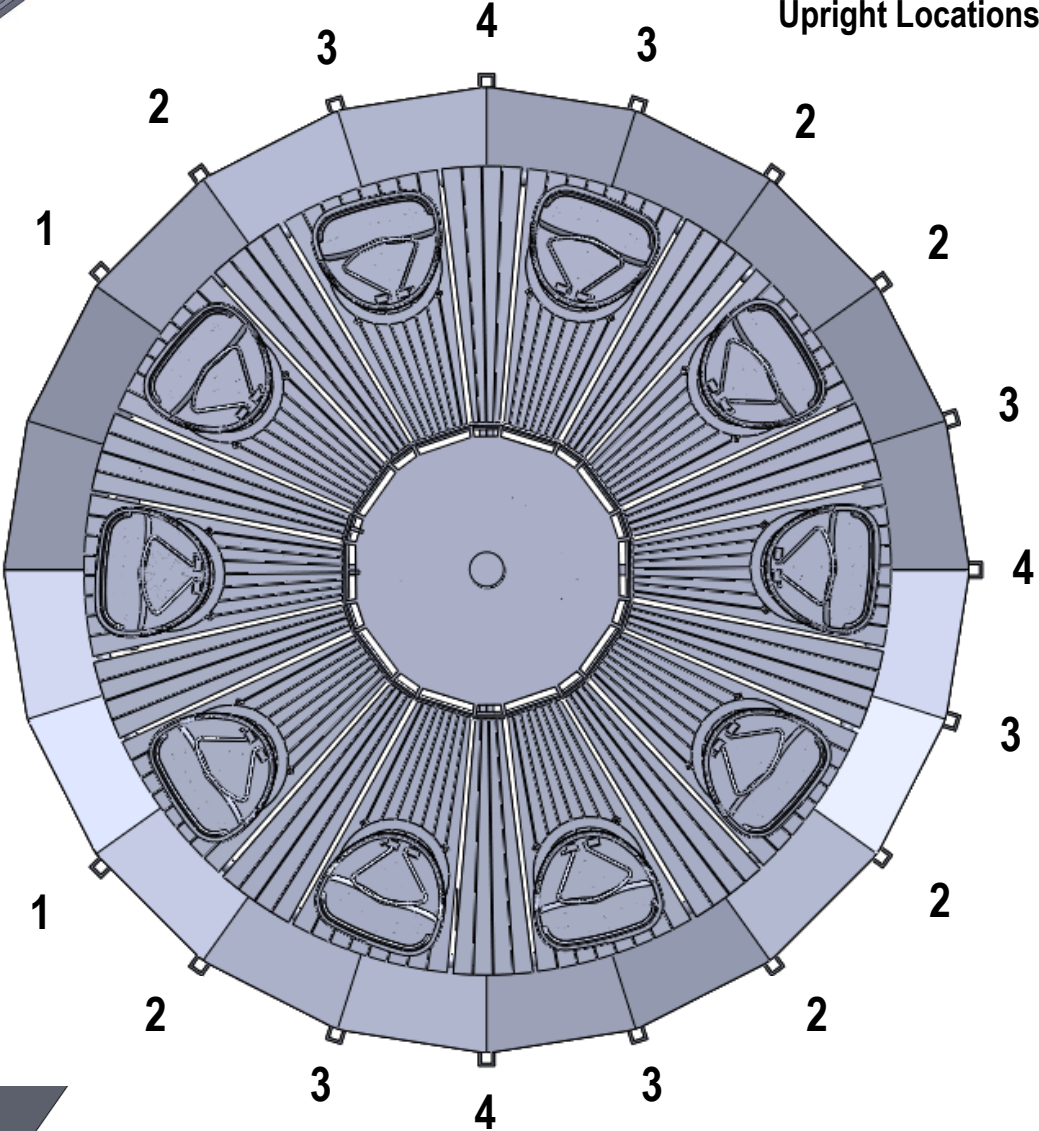


19

Upright sections are numbered on ends

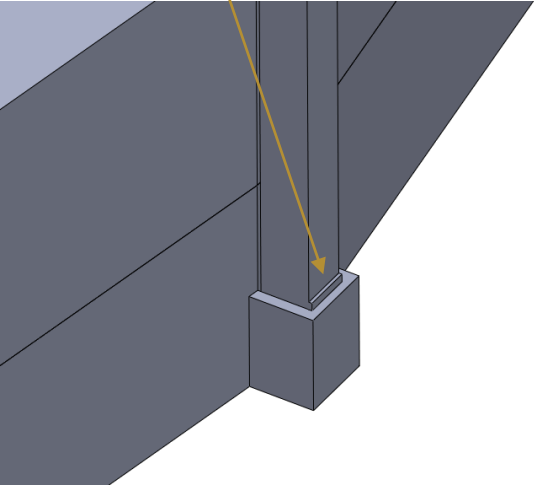


Upright Locations

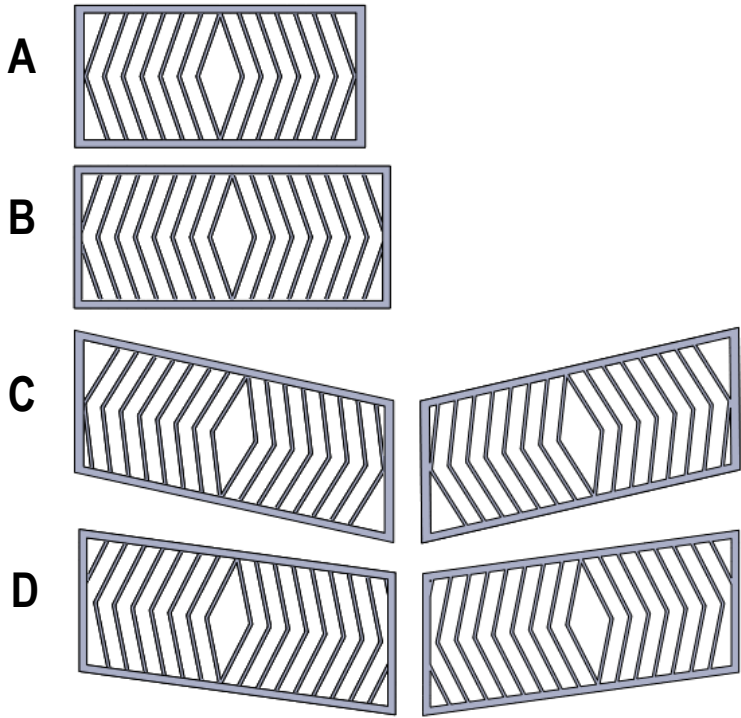
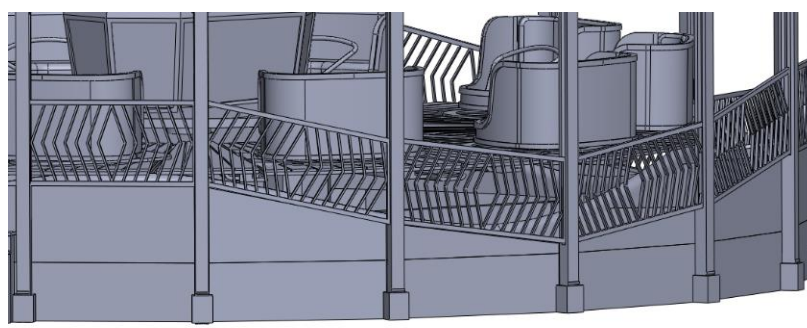


Front

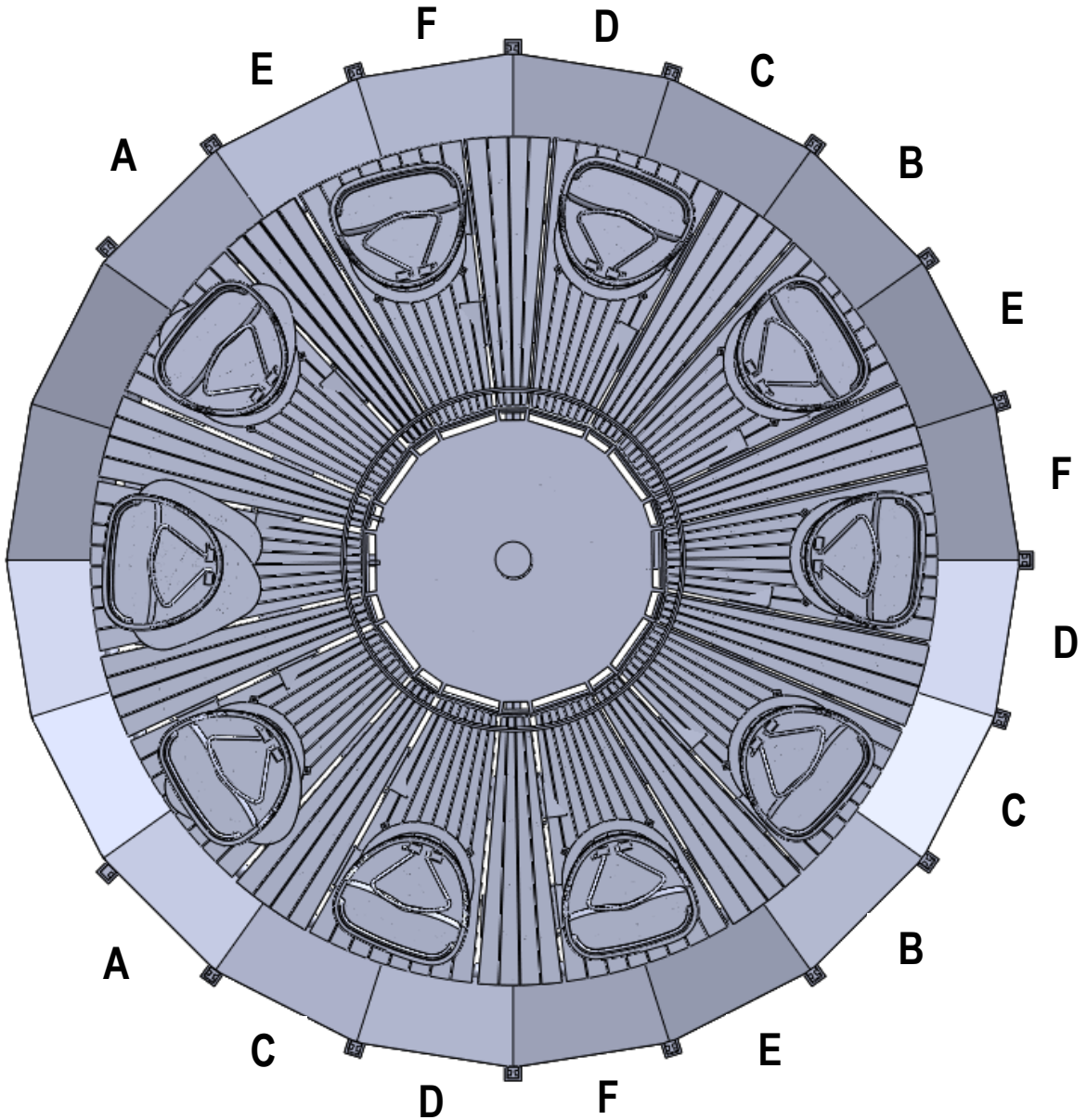
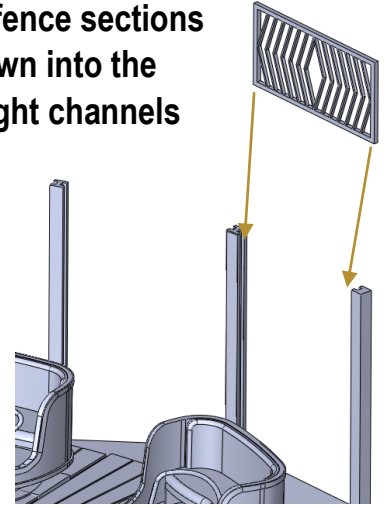
Notch indicates outside edge



Position all fence sections in place to confirm positions before securing with glue

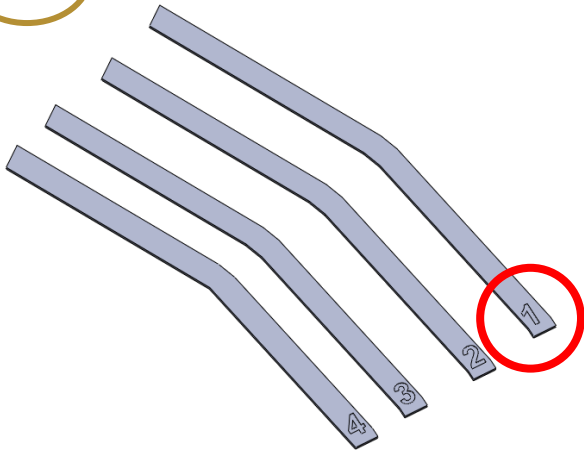


Slide fence sections down into the upright channels



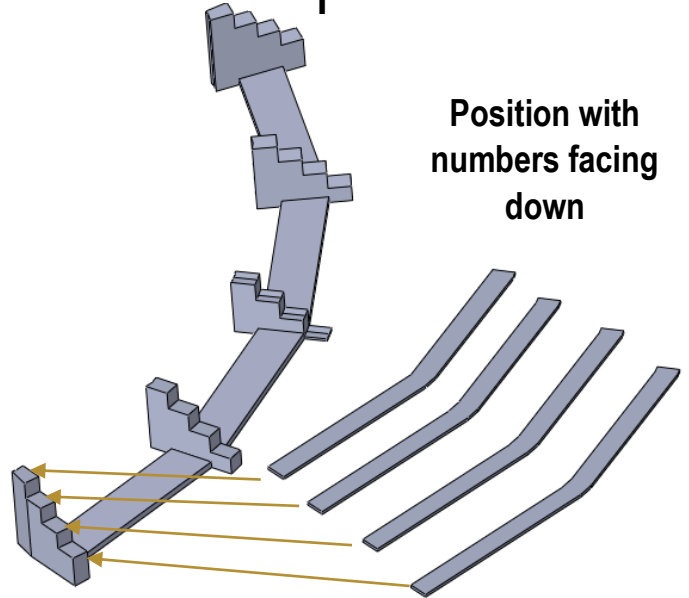
21

Step sections are numbered

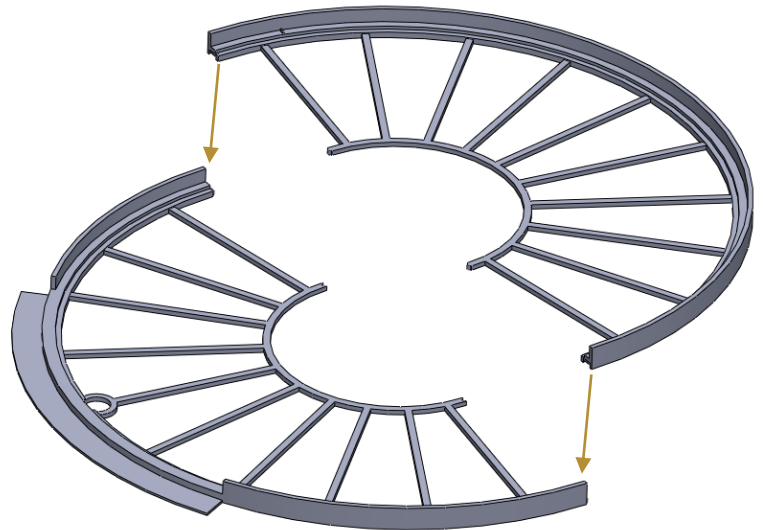


4 3 2 1

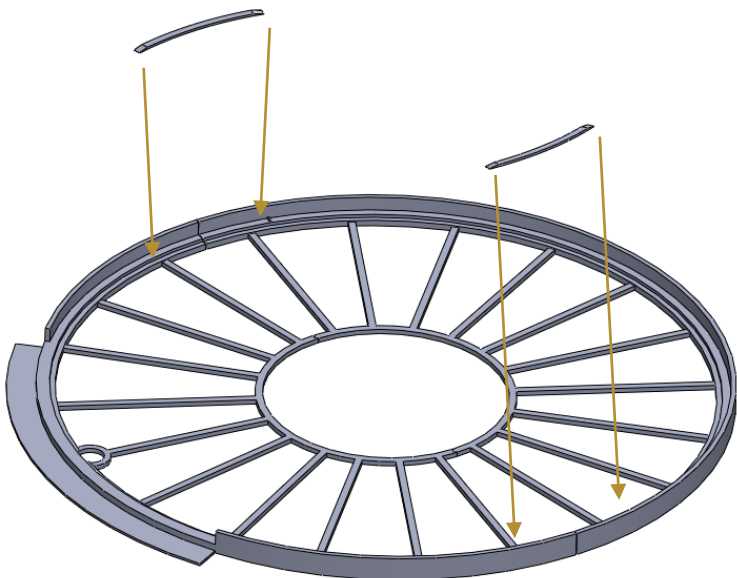
Position with numbers facing down



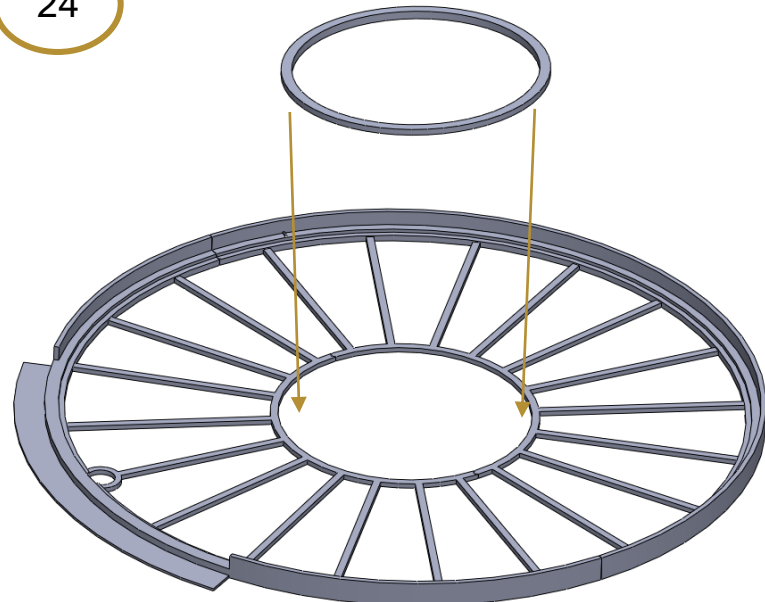
22



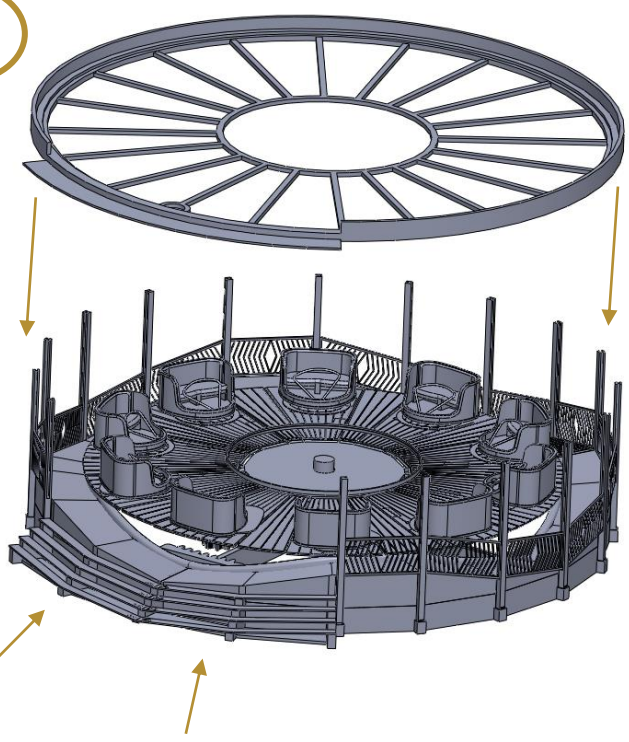
23



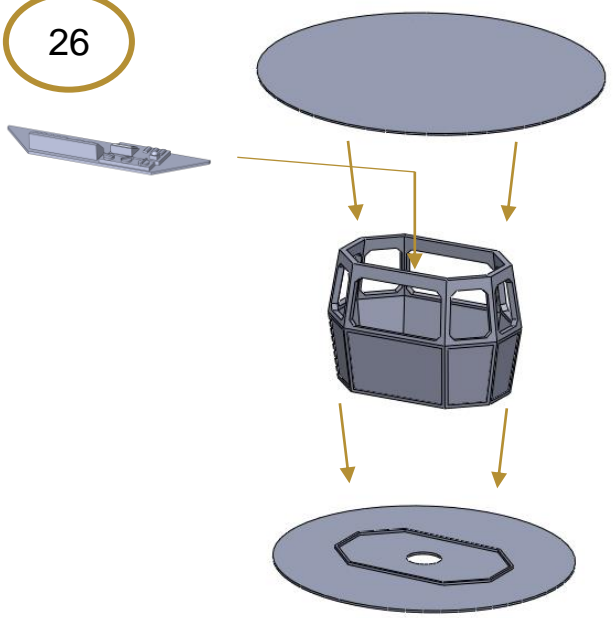
24



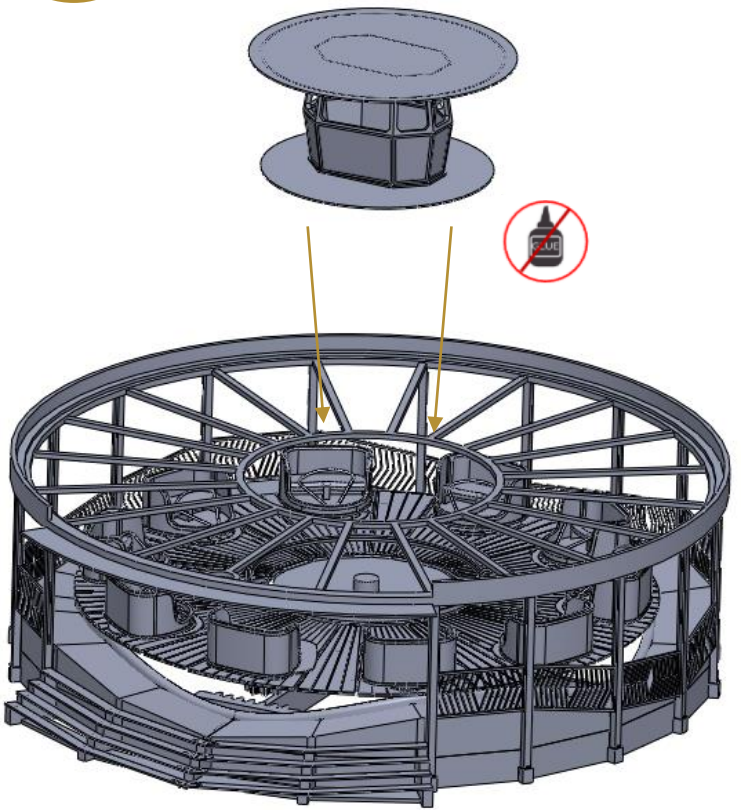
25



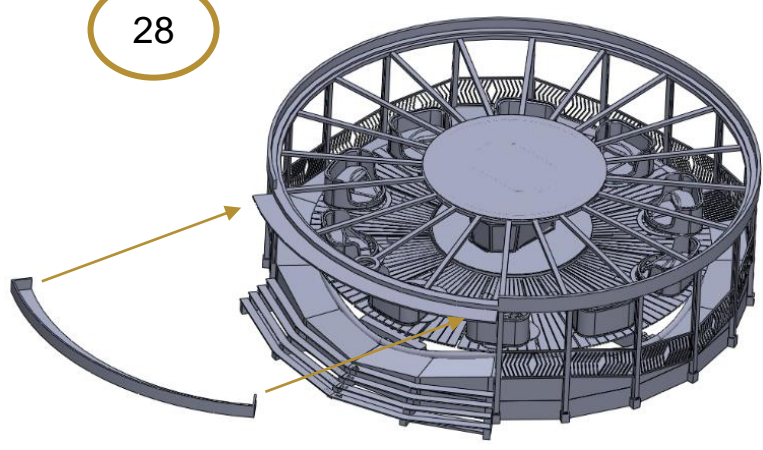
26



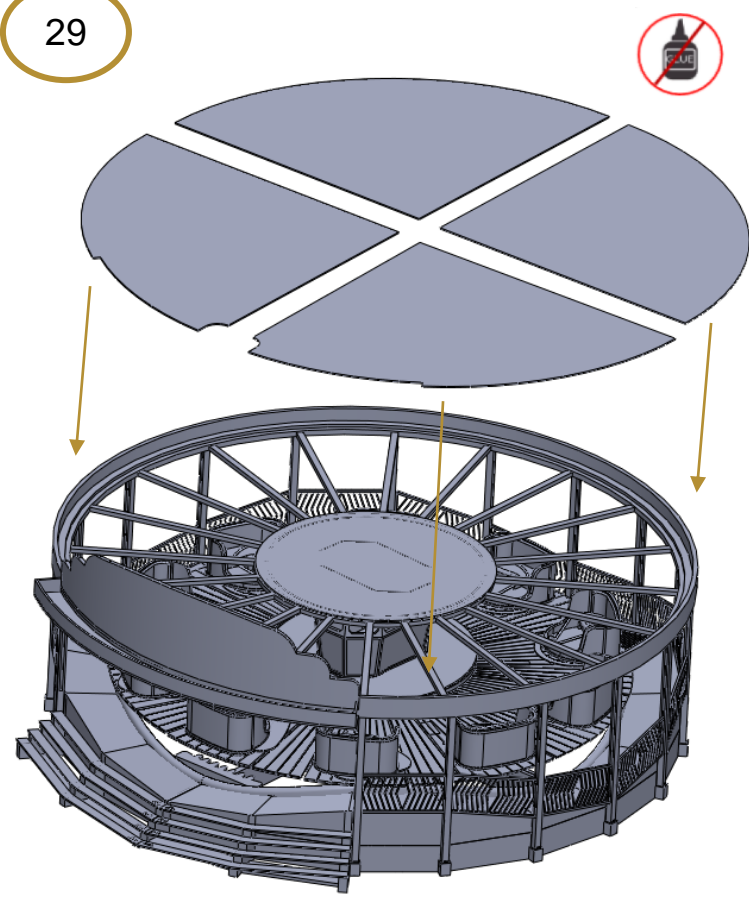
27



28



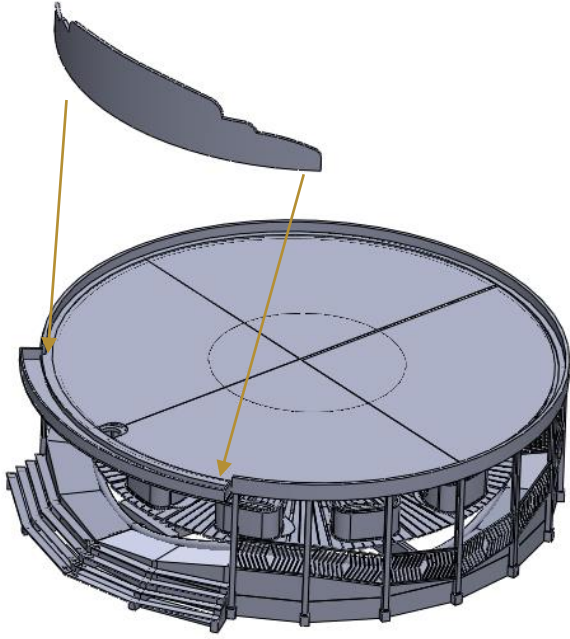
29



Flashing LED

31

30



1



Unscrew Lid

2

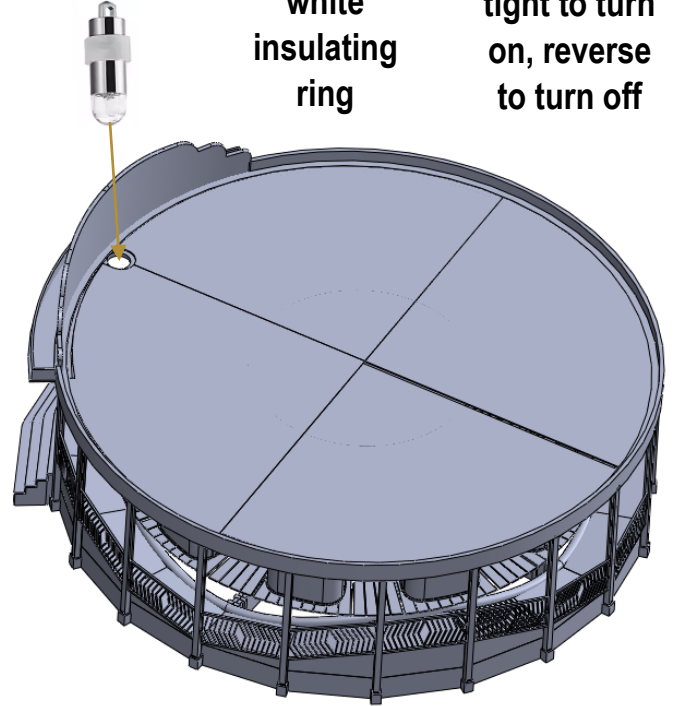


Remove white insulating ring

3



Screw lid tight to turn on, reverse to turn off



DAPR