

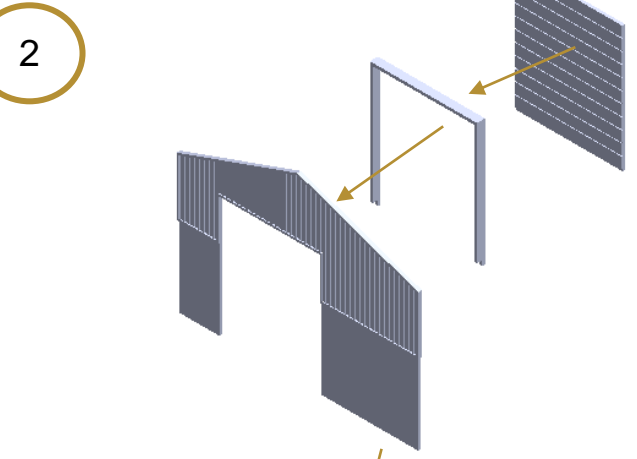
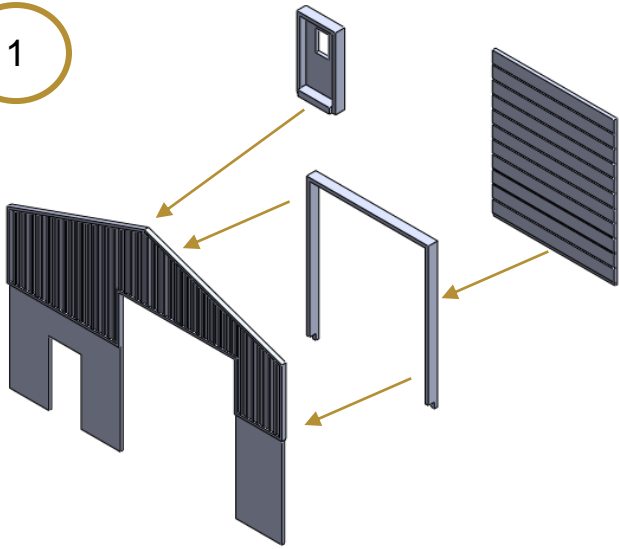
These shed instructions apply to all versions and include both N and TT scale.

Front Entrance

Rear Entrance (if applicable)

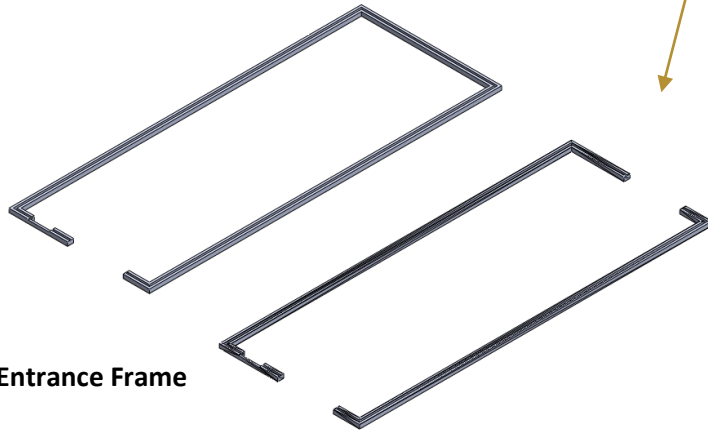
1

2



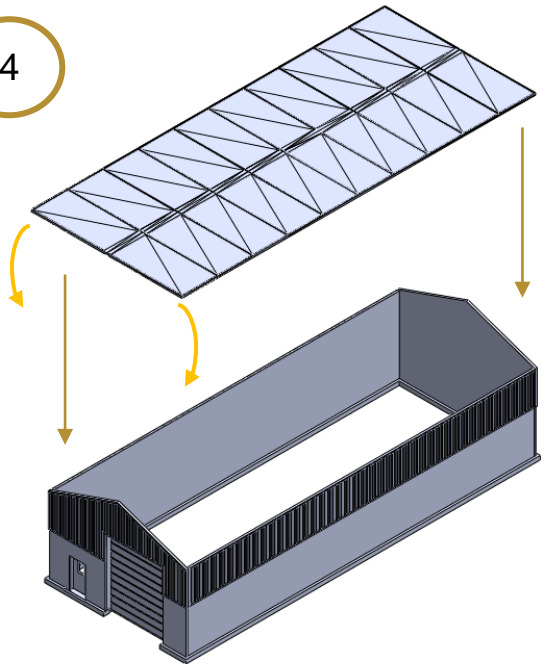
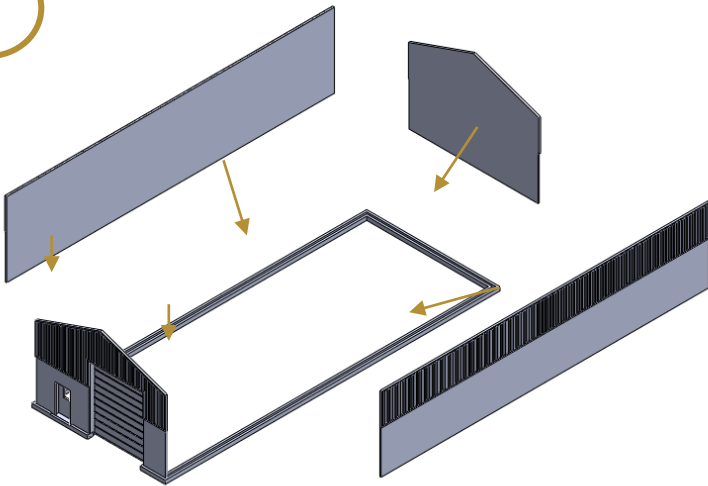
Single Entrance Frame

Double Entrance Frame



3

4





DAPR