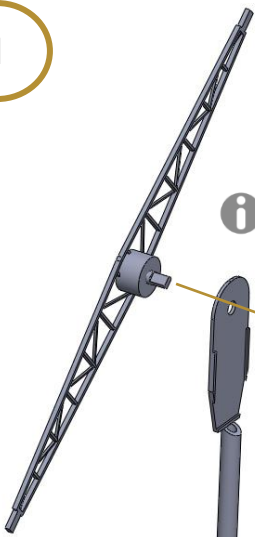


1

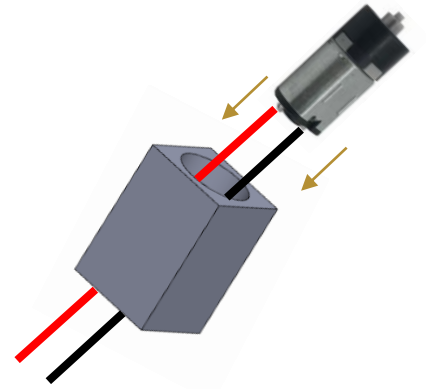


**i** Take care with glue to ensure the arm is free to rotate

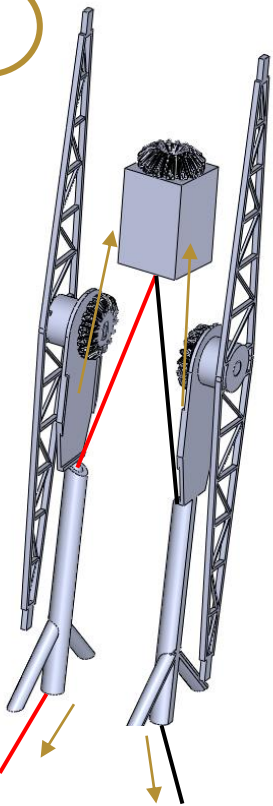


x2

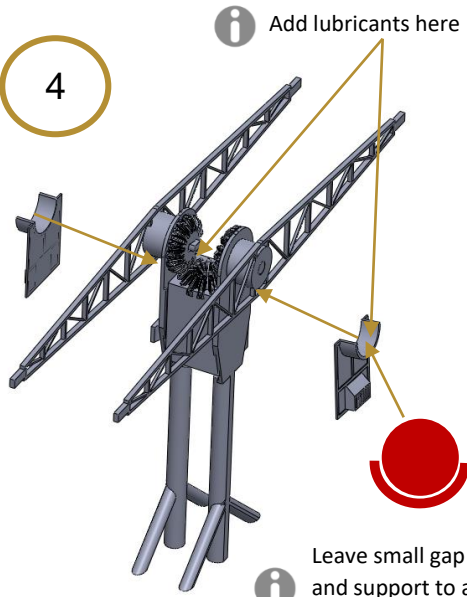
2



3



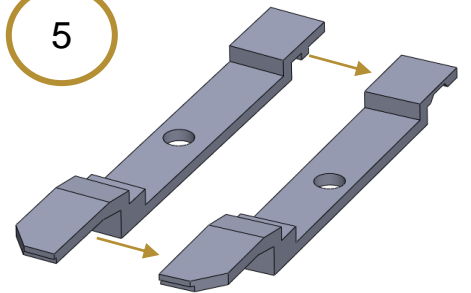
4



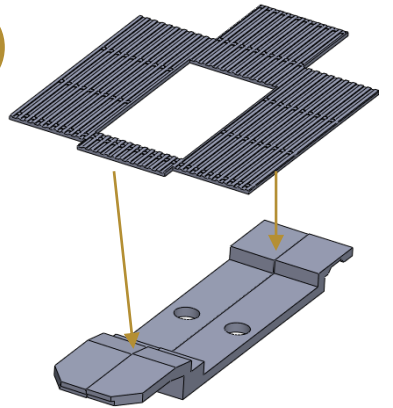
**i** Add lubricants here

**i** Leave small gap between arm and support to allow the arm to freely rotate

5

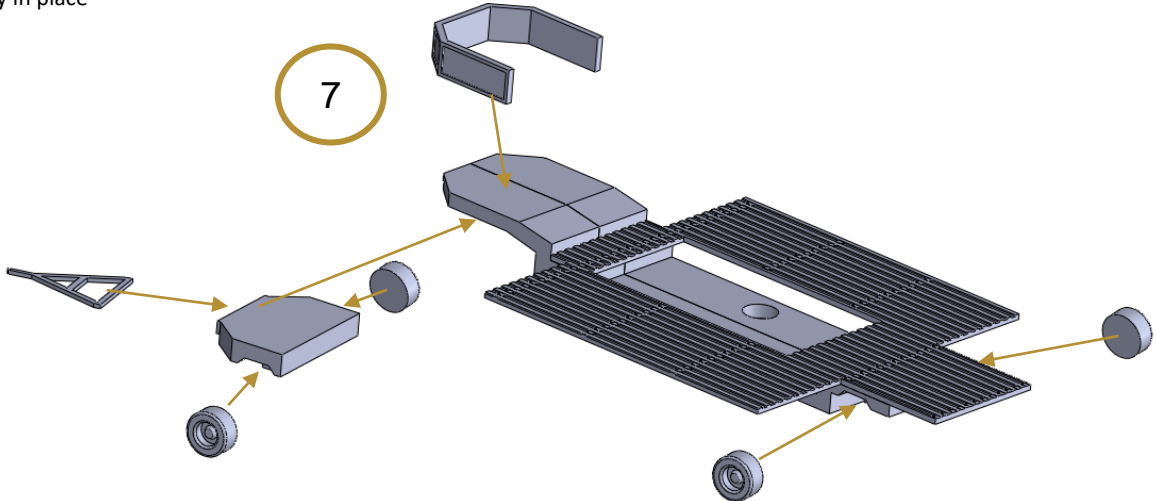


6

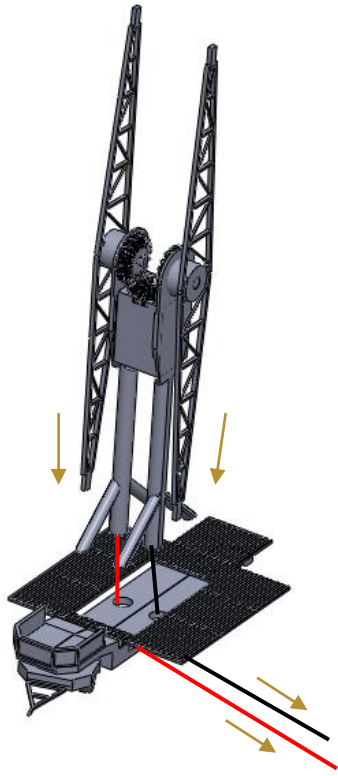


**i** Run cables through frame before gluing body in place

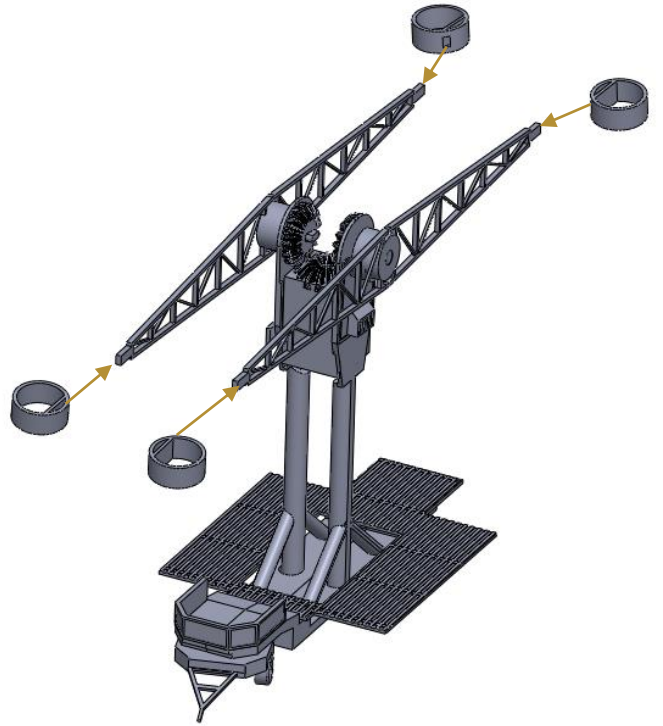
7



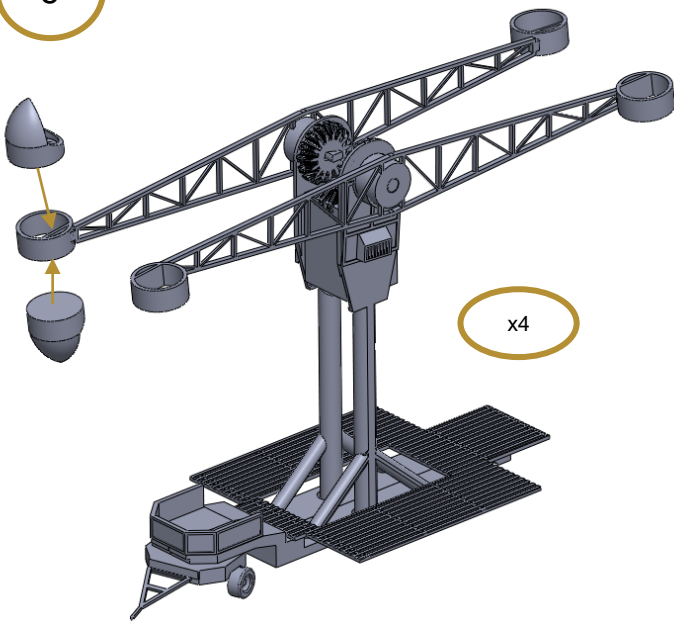
7



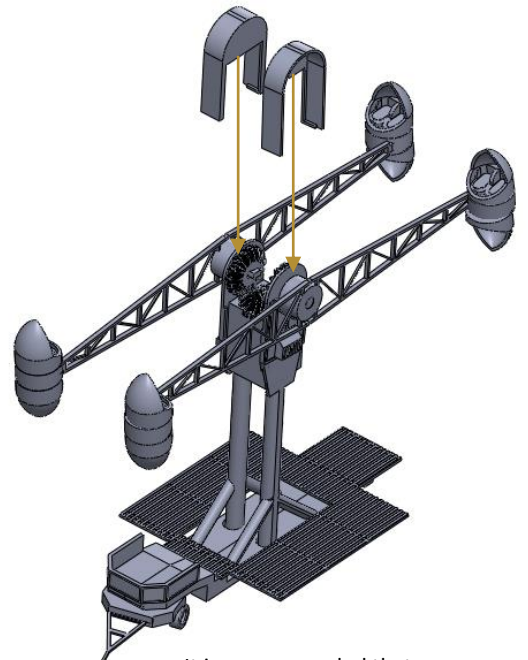
8



9

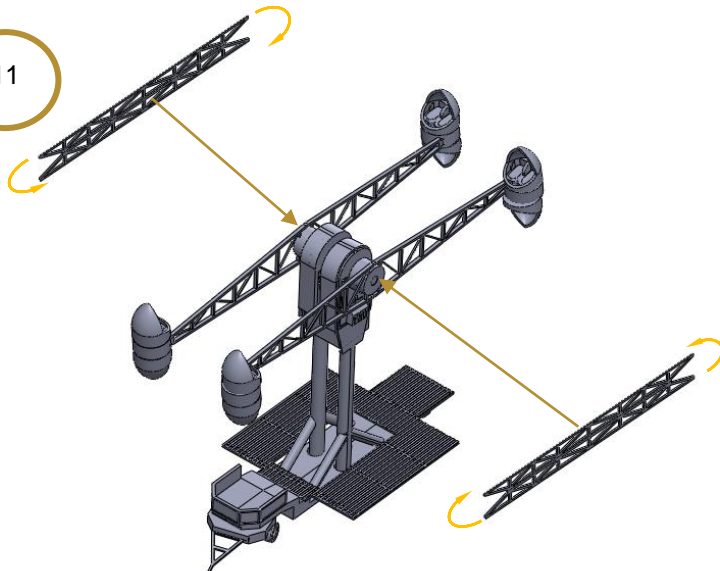


10

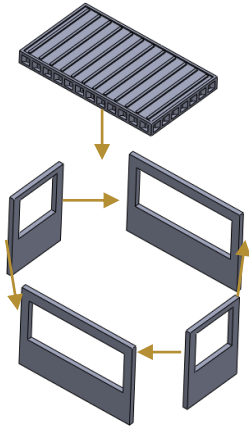


**i** It is recommended that you test run the model before securing the gear covers

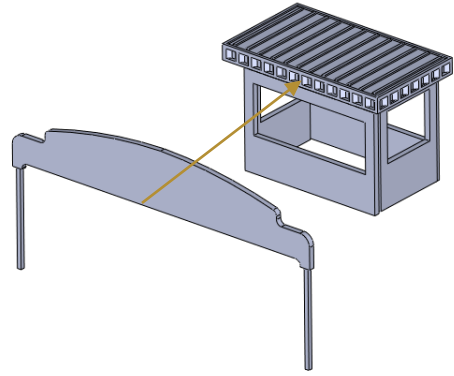
11



11



12



13

