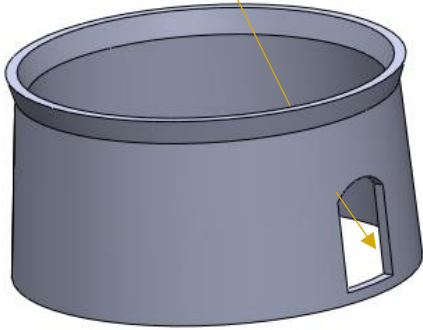


1



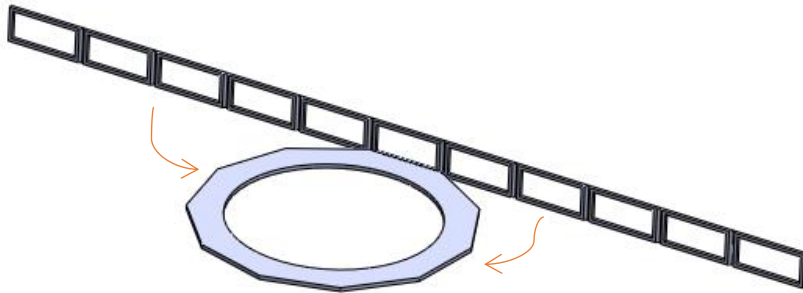
Insert windows into each tower section



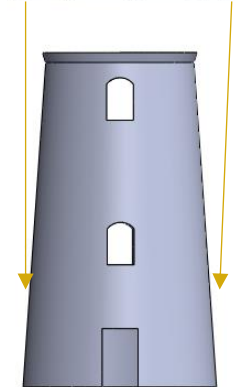
2



3



4

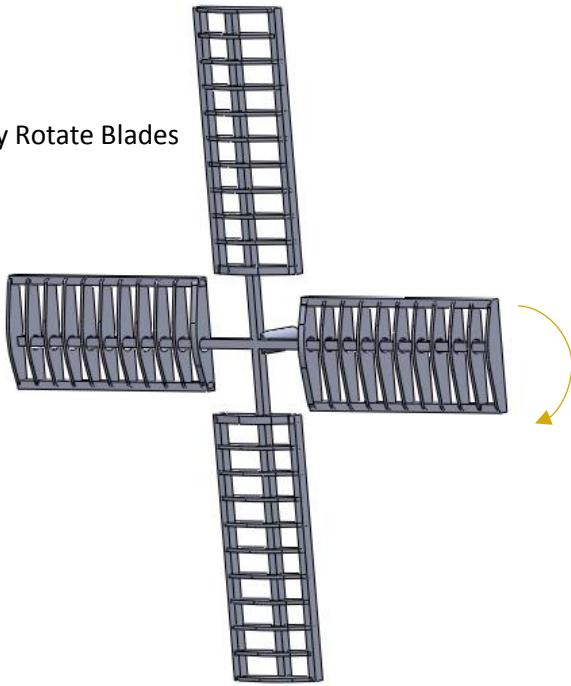


5

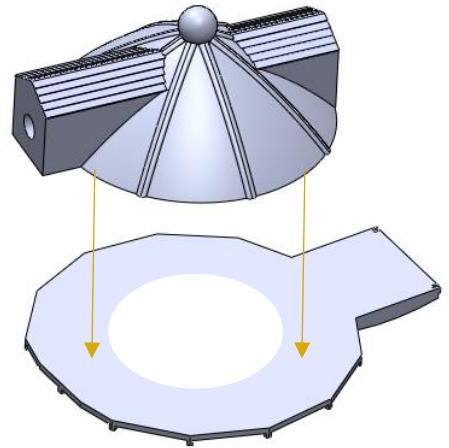


6

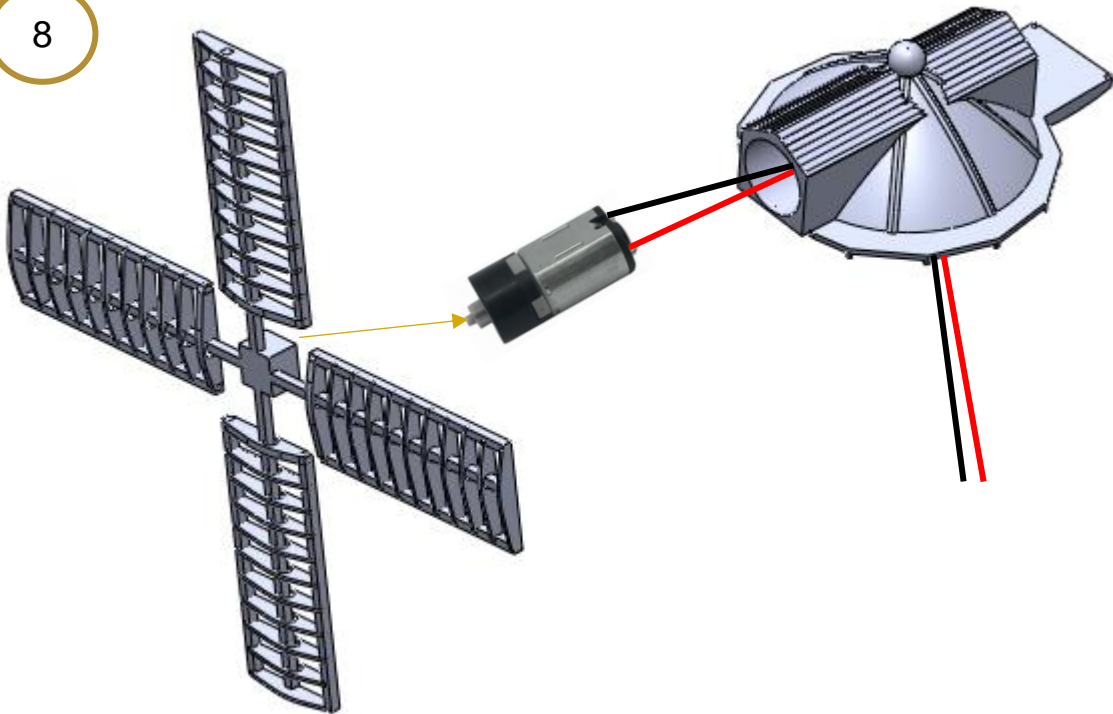
Slightly Rotate Blades



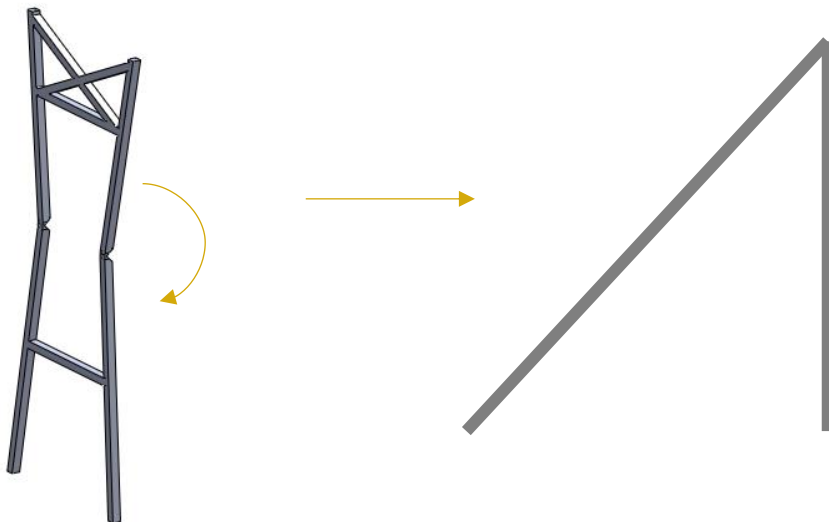
7



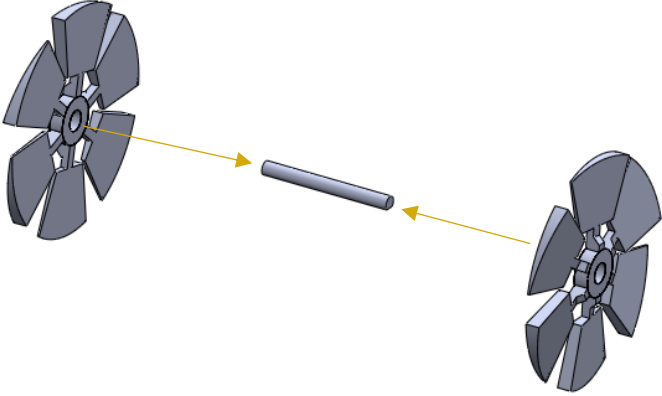
8



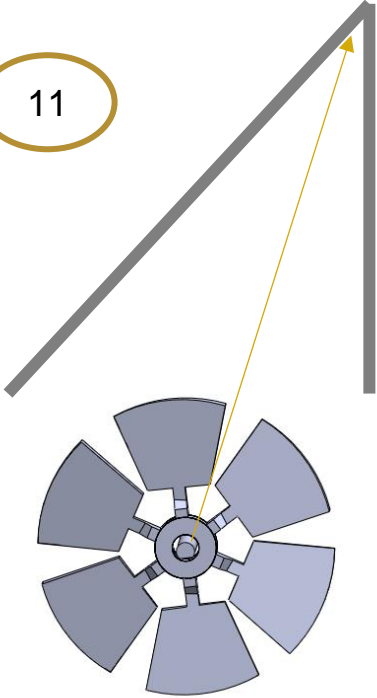
9



10



11



12

