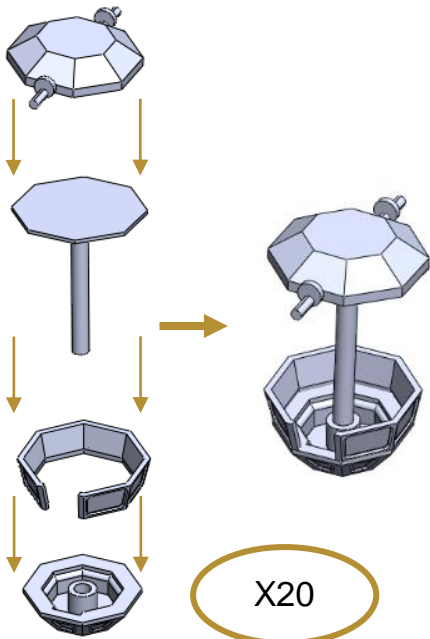
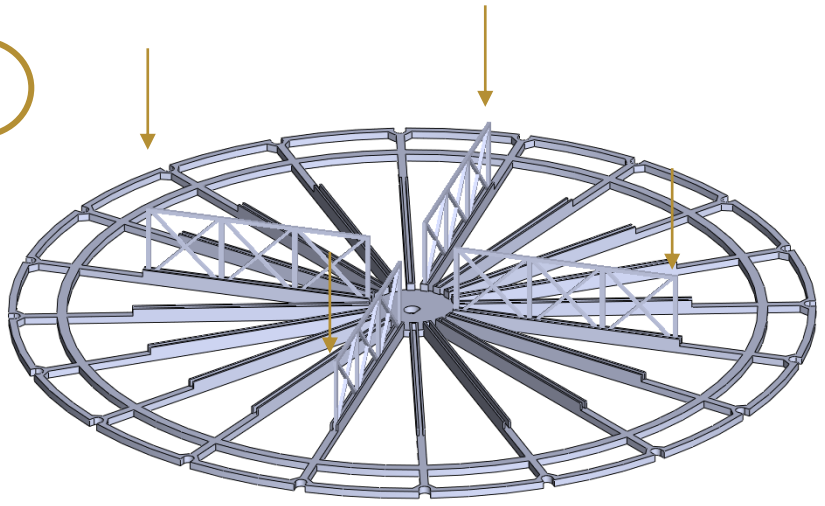


1

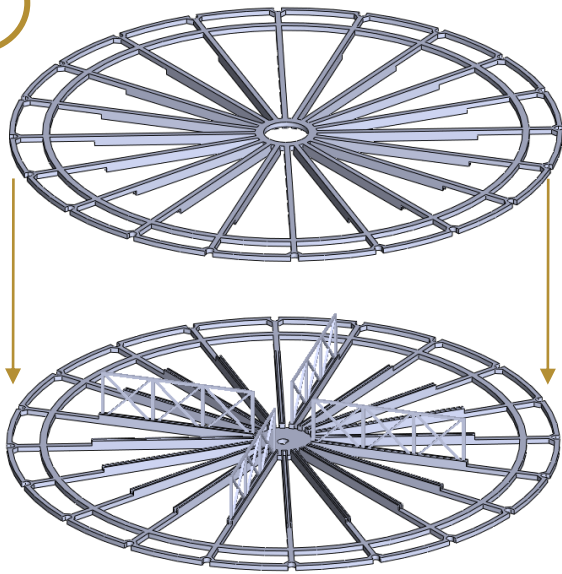


2

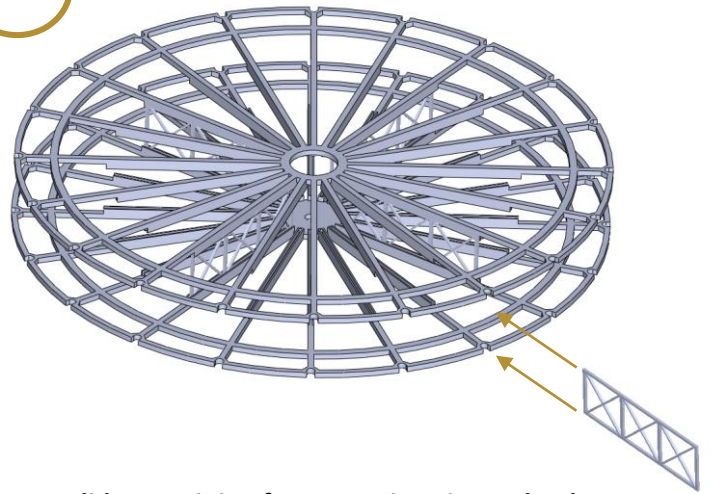


Evenly position the first three or four sections as above first.

3

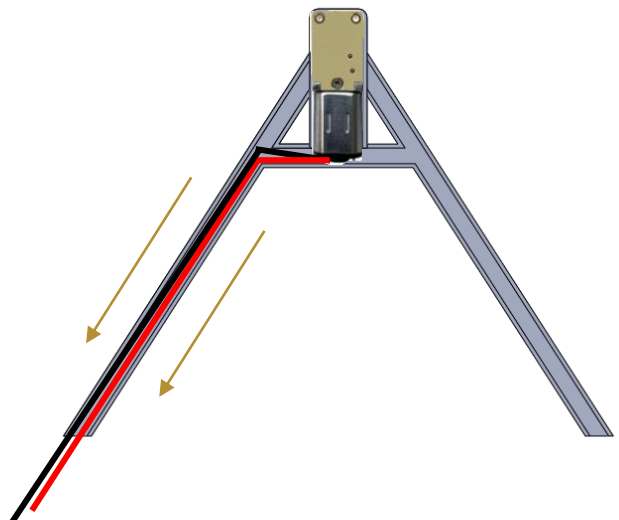
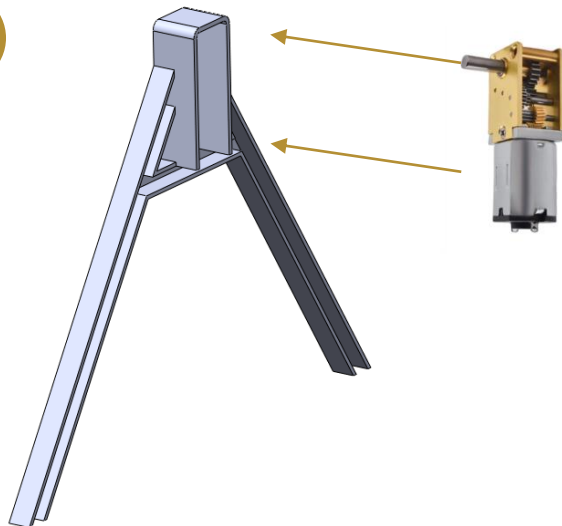


4

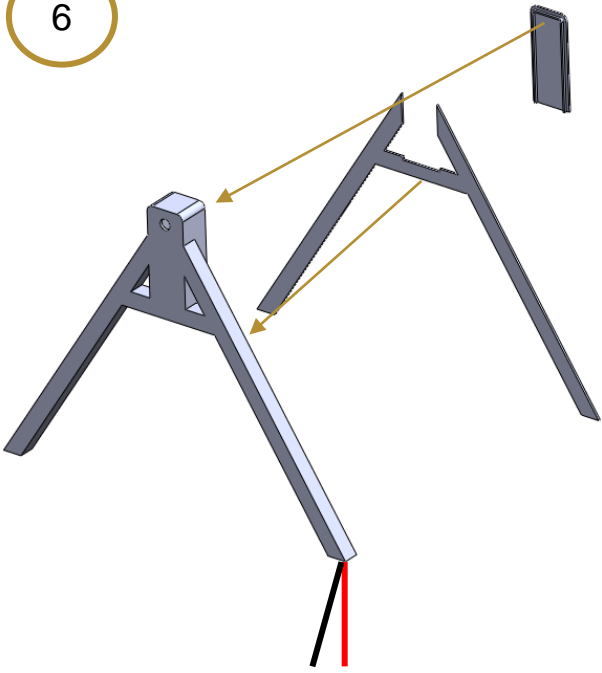


Slide remaining frame sections into wheel channels.

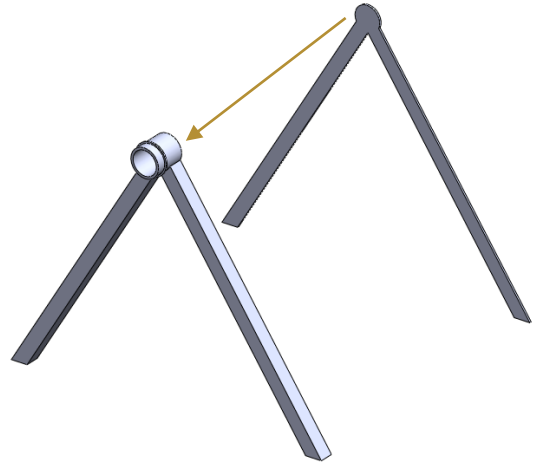
5



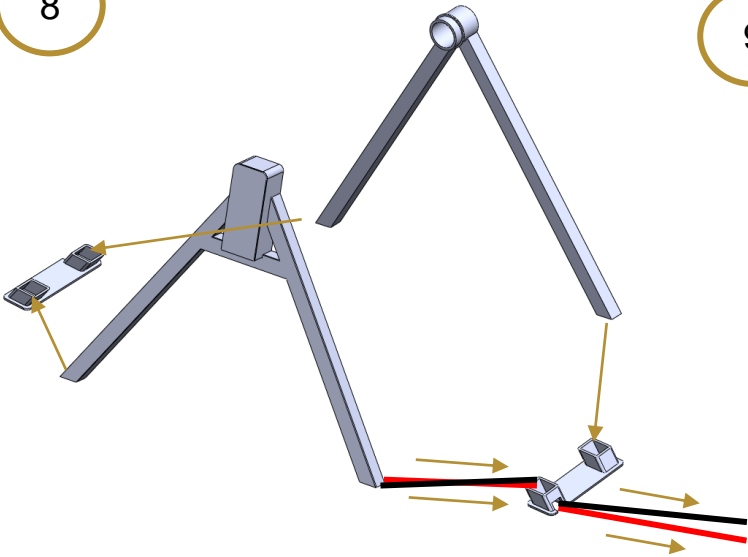
6



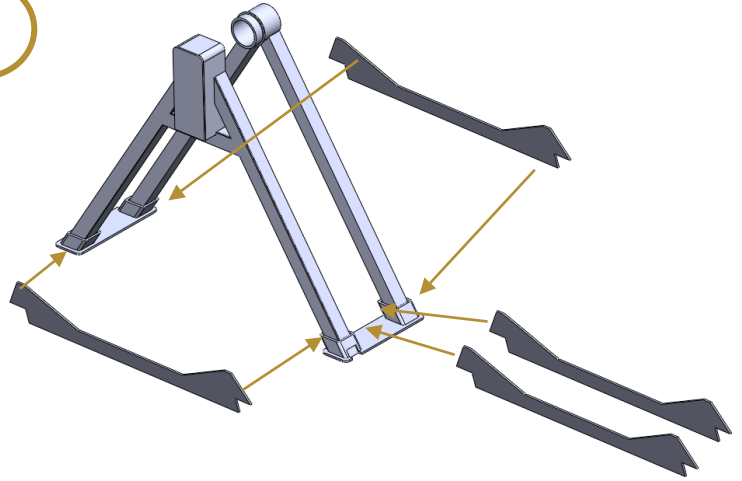
7



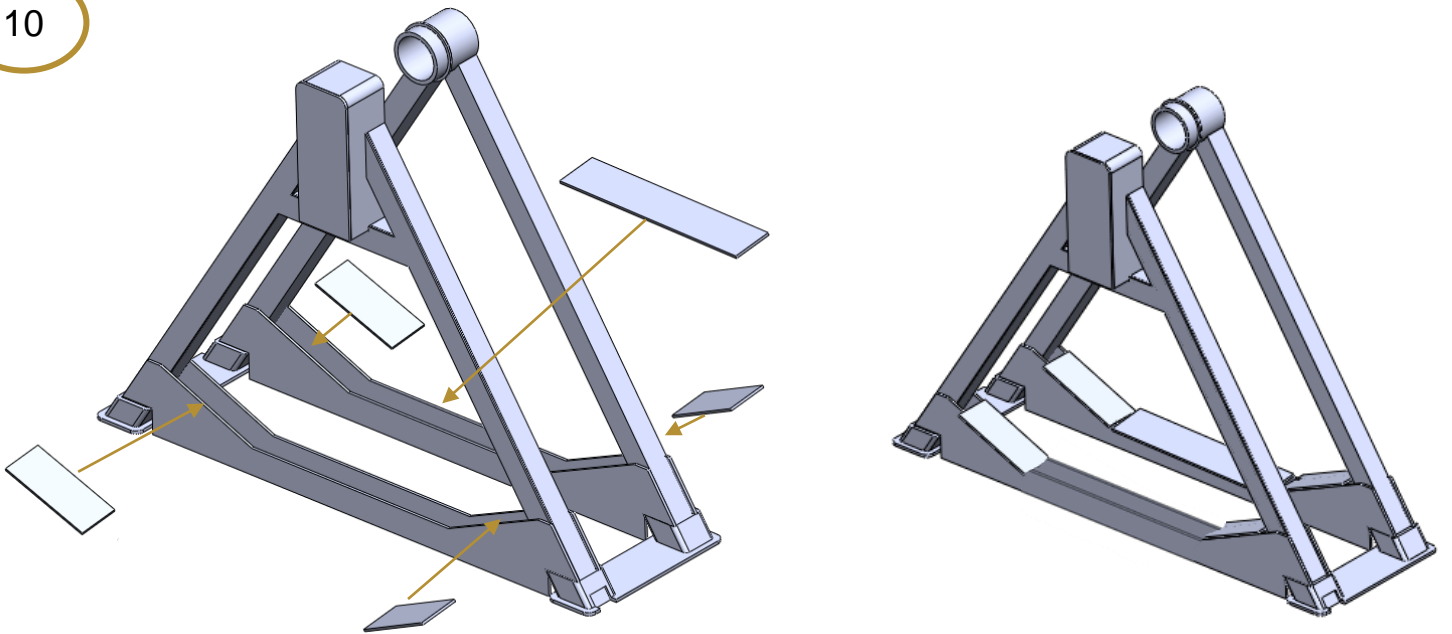
8



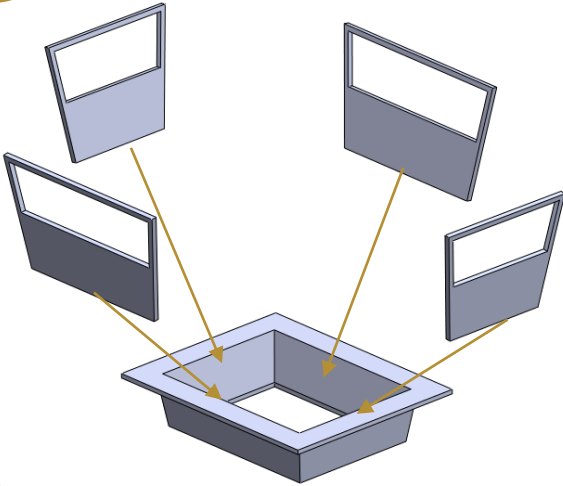
9



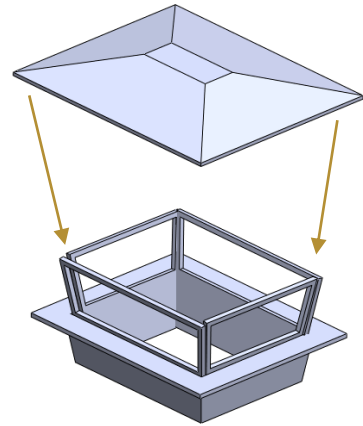
10



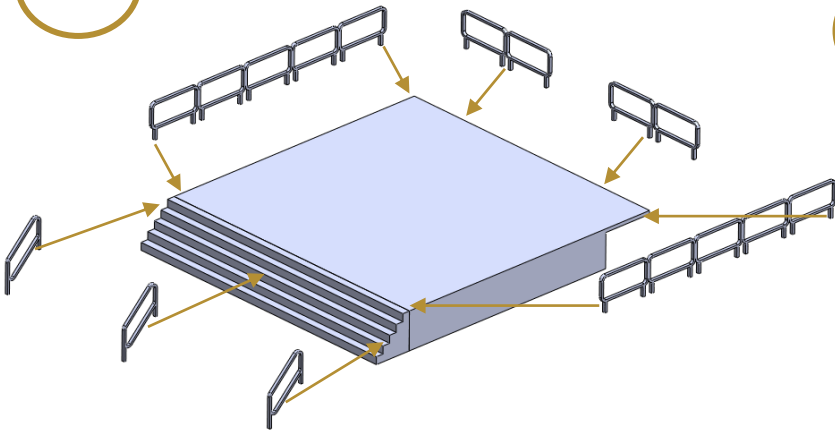
9



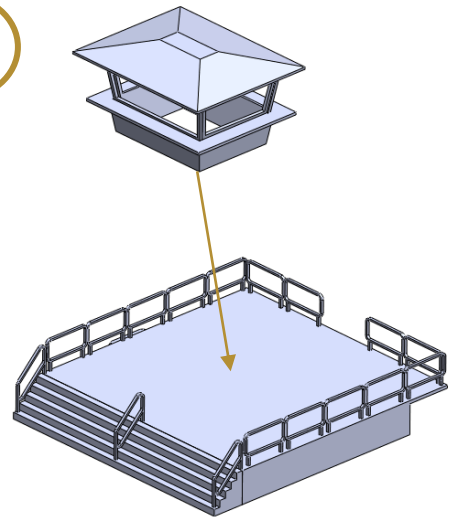
10



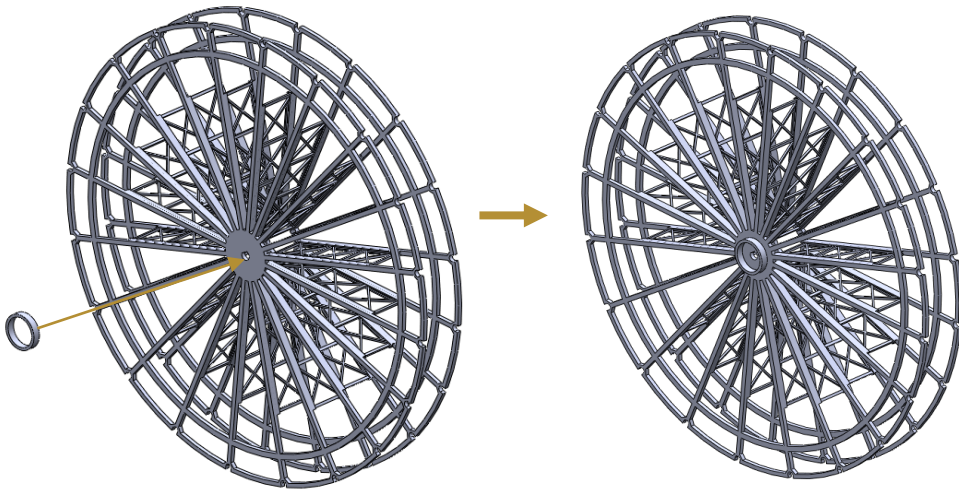
11



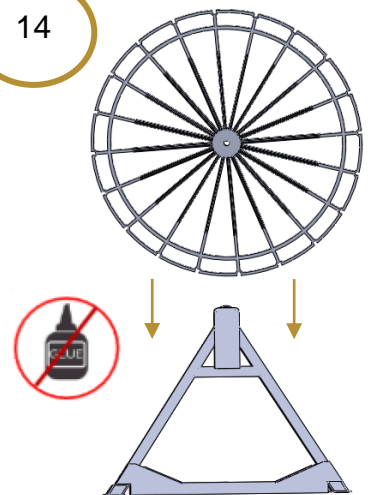
12



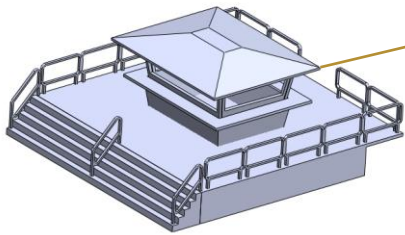
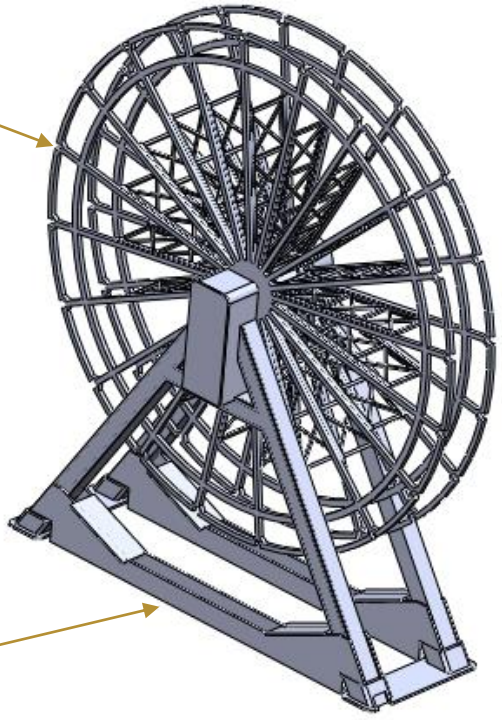
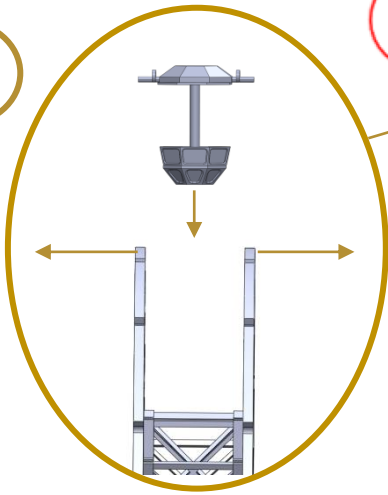
13



14



15



DAPR