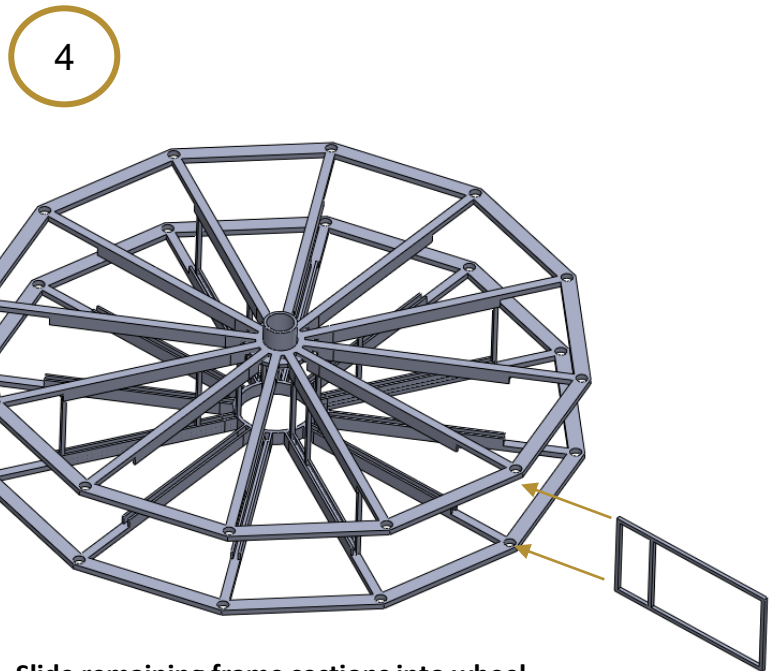
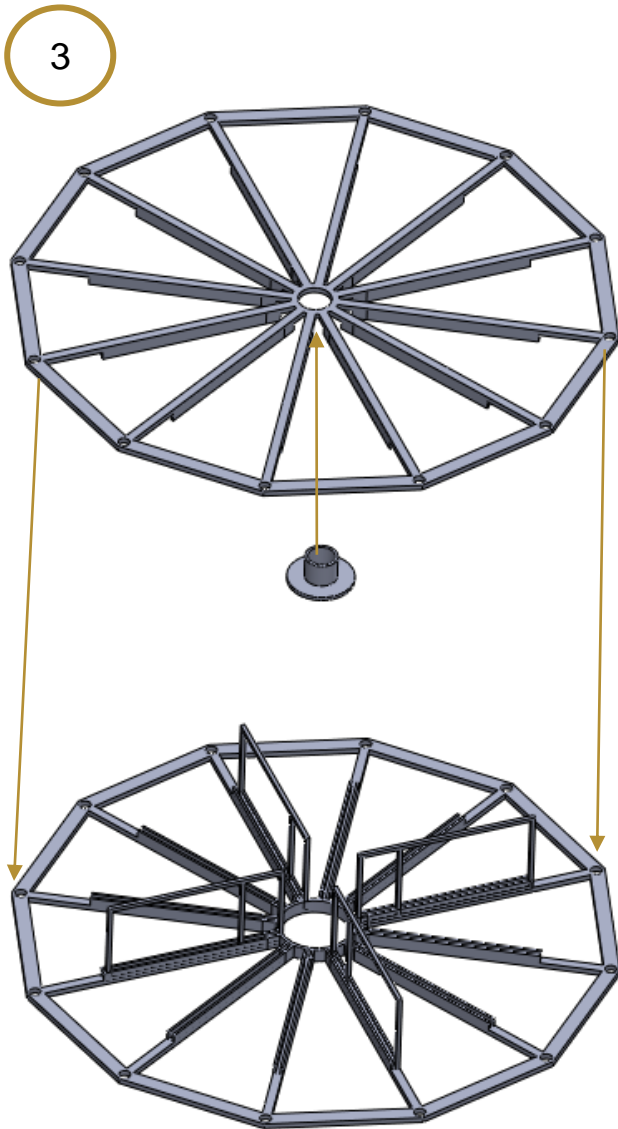
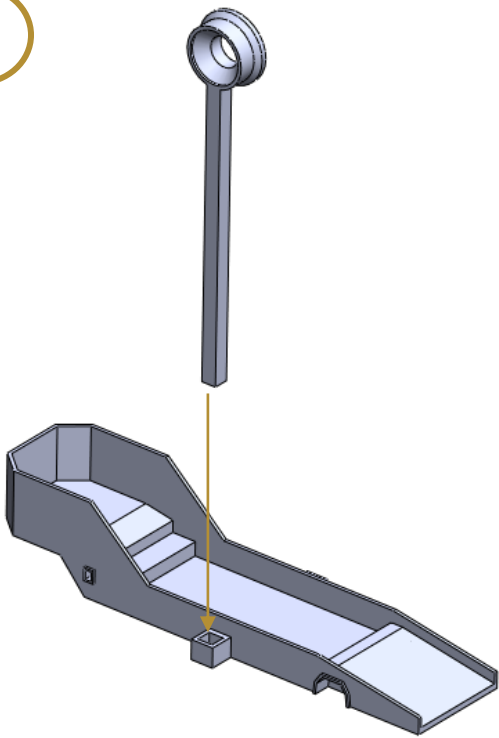


Evenly position the first three or four sections as above, in the top, bottom, left and right locations.

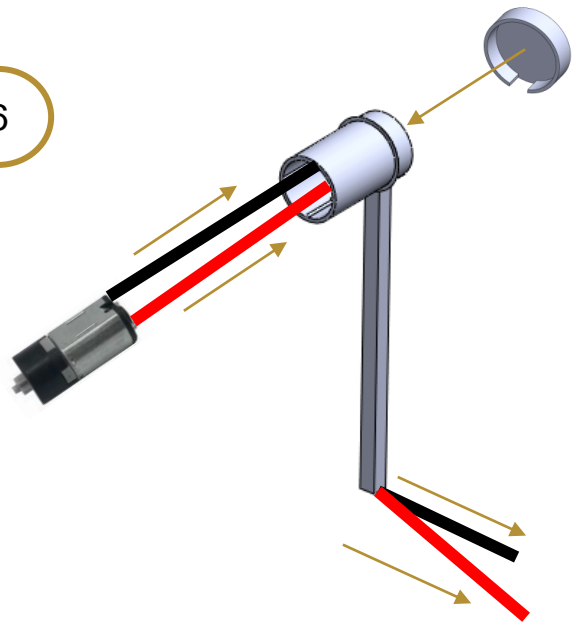


Slide remaining frame sections into wheel channels.

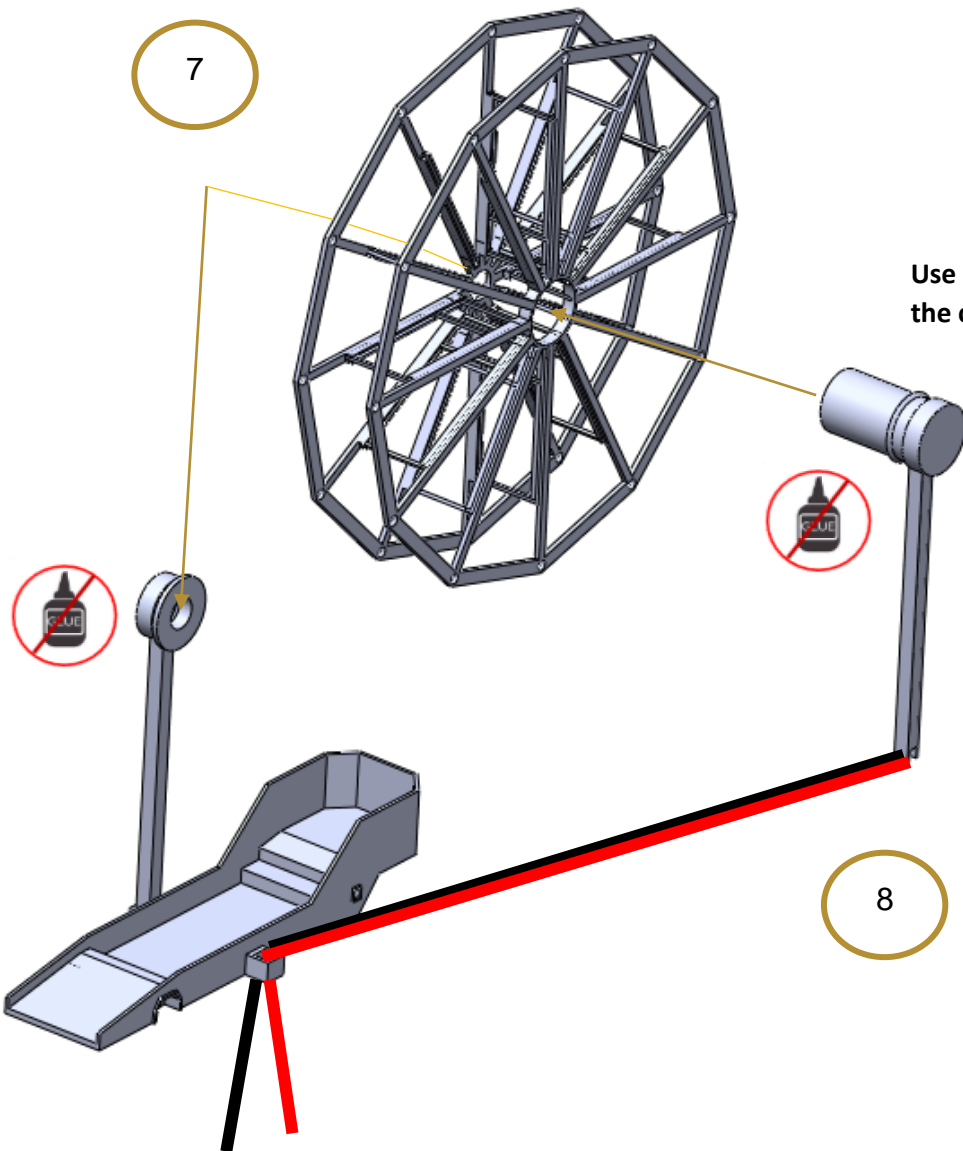
5



6

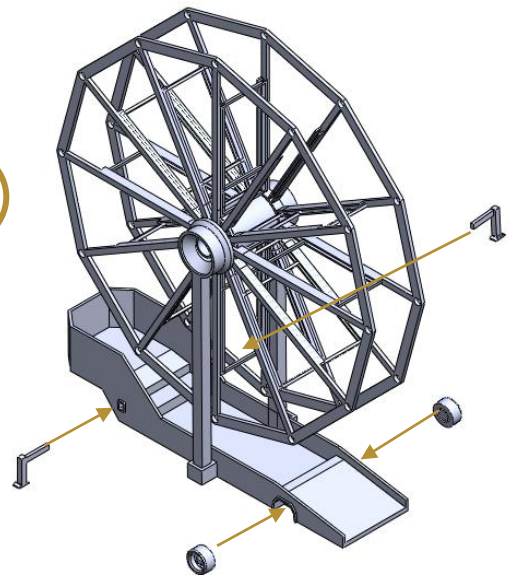


7

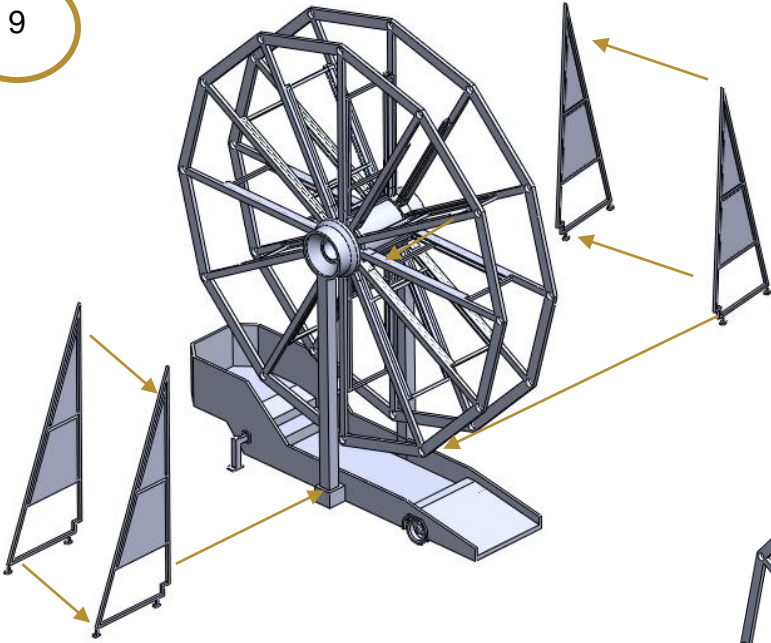


Use minimal glue to secure the motor head into the cross section piece.

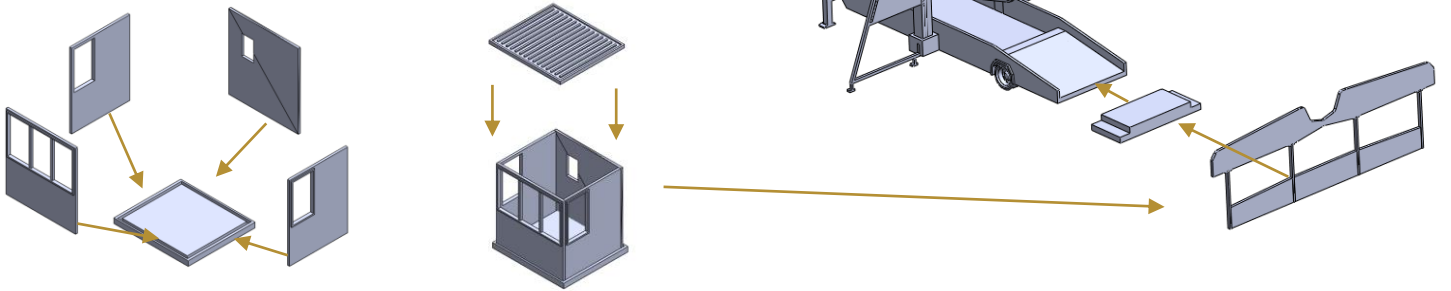
8



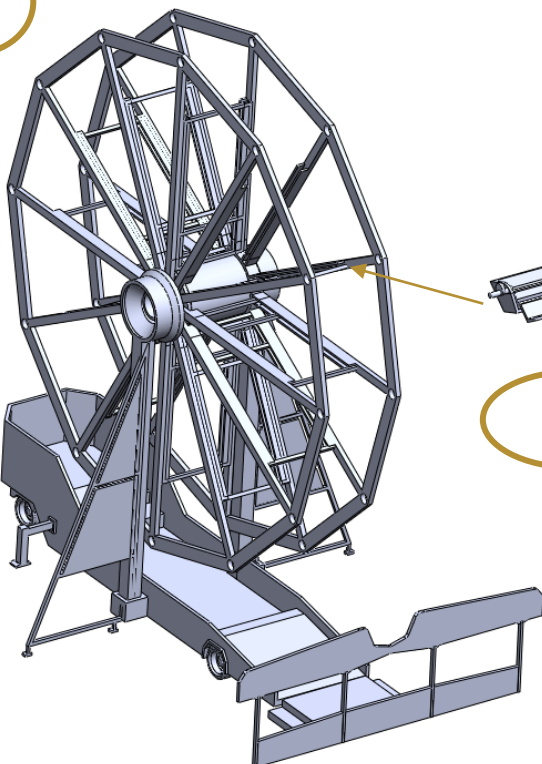
9



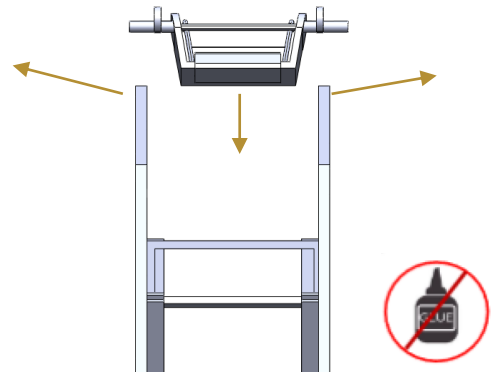
10



11



X10





**DAPR**