

DAP250

Kit Info

| | |
|----------------|------|
| Scale | 1:50 |
| Kit Components | 57 |
| Assembly Steps | 26 |



Hints & Tips

Prep

- Carefully unpack all components from the box
- Ensure all parts are present and undamaged
- Remove any small imperfections or edges

Glue

- Use Super Glue for best results, plastic cements will not bond our kits.
- Hold parts together for 10–20 seconds.
- Super Glue with a precision nozzle recommended.
- Use small amounts to avoid visible glue marks.

Prime

- Always prime before painting for the best finish.
- Use grey/black spray primer (automotive or hobby).
- Halfords Grey or Tamiya Fine Surface Primer are well suited.
- Apply light, even coats, spray from 20–30 cm distance. Allow each coat to fully dry before painting.

Paint

- Use acrylic or enamel paints

Acrylic paints:

- Easy to use and quick drying
- Low odour and water clean-up

Enamel paints:

- Strong, durable finish
- Longer drying time allows smoother results
- Requires solvents for thinning/cleaning

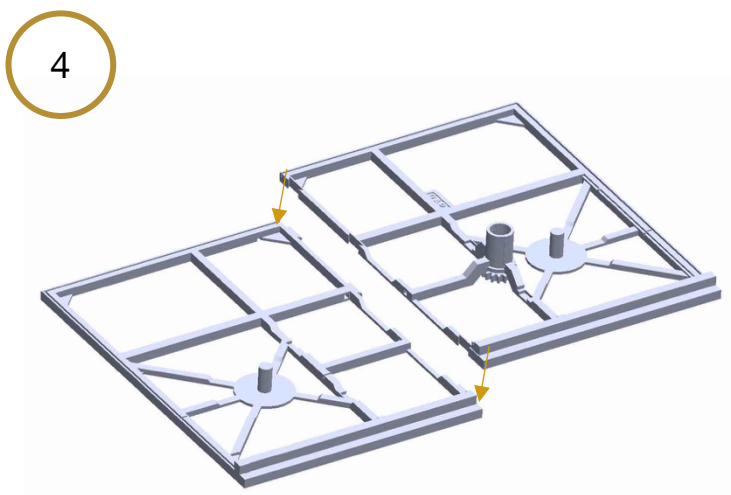
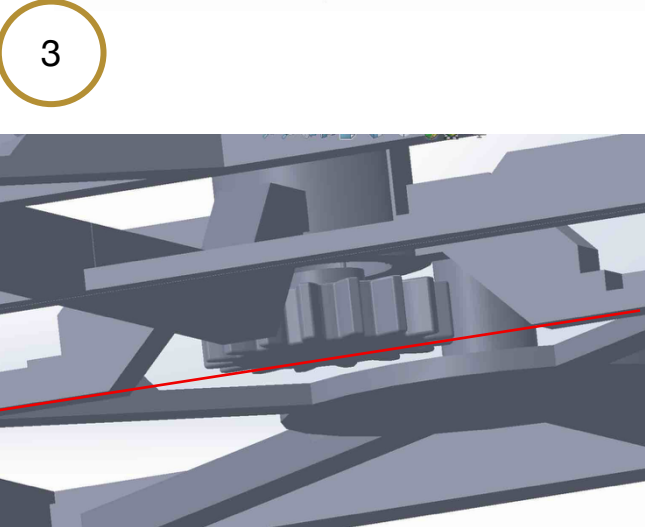
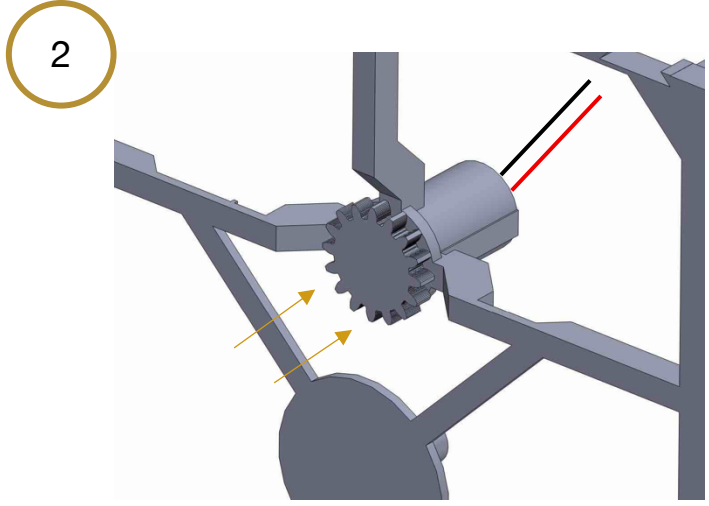
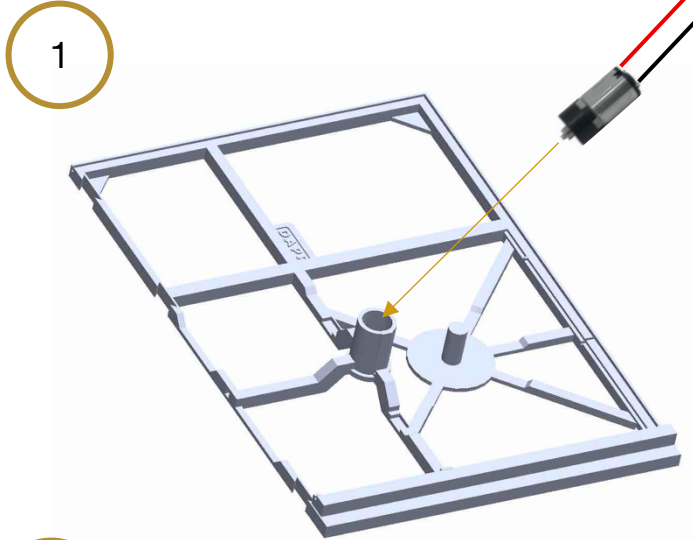
Trusted brands:

- Revell (widely available, good all-round range)
- Humbrol (well-known enamel & acrylic range)
- Tamiya (good all-round, airbrush friendly)
- Vallejo (excellent for brush painting)
- Citadel (great for beginners & detail work)

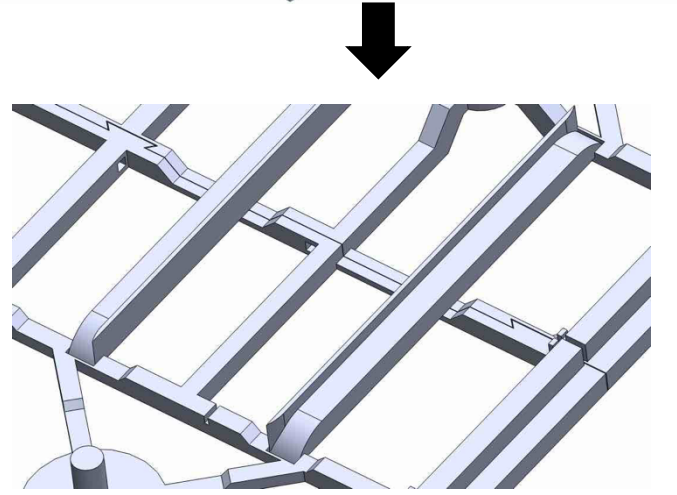
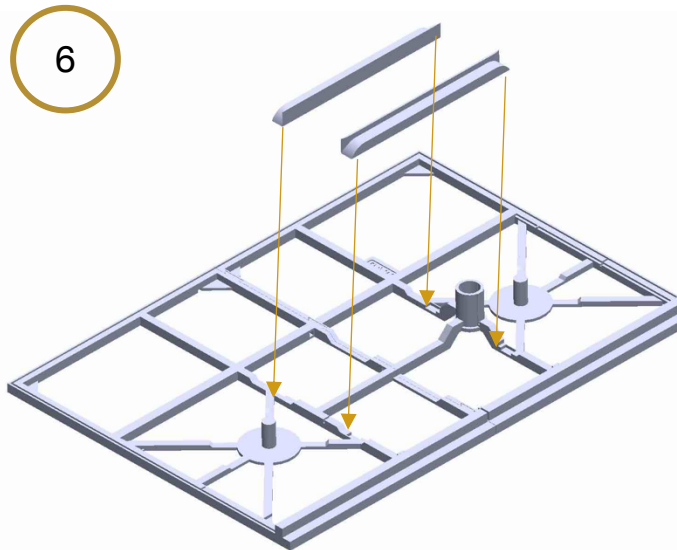
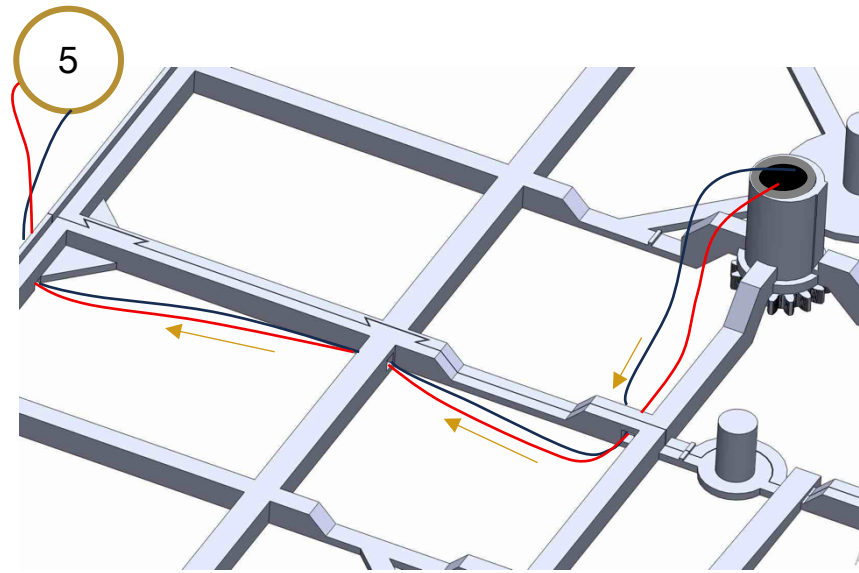
Application tips:

- Apply multiple thin coats
- Avoid thick layers to preserve detail
- Use a fine brush for small details

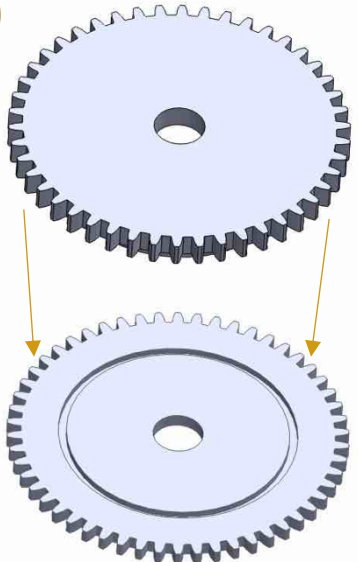
- This product is **not a toy** and contains small parts.
- Recommended for **ages 12+**, or younger users with **adult supervision**.
- Take care when using **sharp tools** (craft knives, files, & other modelling tools).
- Use adhesives, paints & solvents in a **well-ventilated area**, noting brand guidelines.
- Avoid contact with skin and eyes when using **glues, paints, or chemicals**.
- Keep all materials and tools **out of reach of children**.
- Do not leave models in **direct sunlight, hot cars, or near radiators**.
- **Please note**, some instruction sheets may reflect earlier versions of kits, due to ongoing improvements, parts and assembly steps may vary, if anything does not match or you are unsure, please contact us before proceeding.
- The component count shown on this page includes spare parts, **some small variations in quantity may occur**.



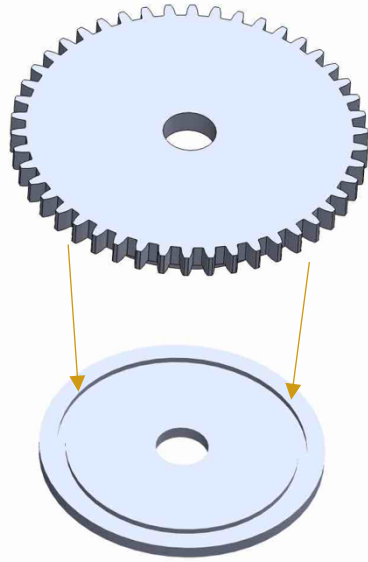
Adjust motor height to ensure the motor cog sits above ground level.



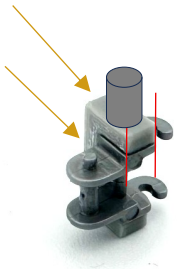
6



7



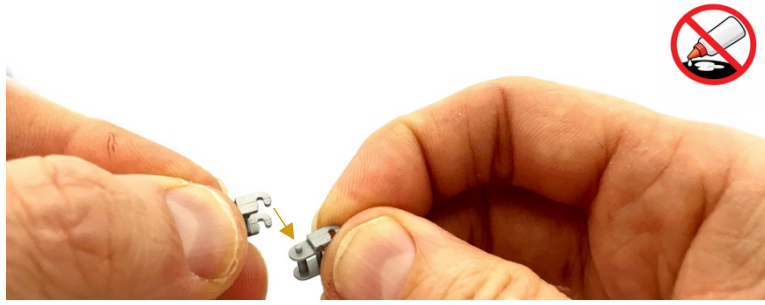
8A



Secure clips to chain links, ensure they align with the link edge, these links dictate the car locations.

8B

The chain requires **73** links; the kit is supplied with spares.



8C

When assembling chain, remember to include the links with clips, arrange them to suit your desired car positions.



Clips face outwards

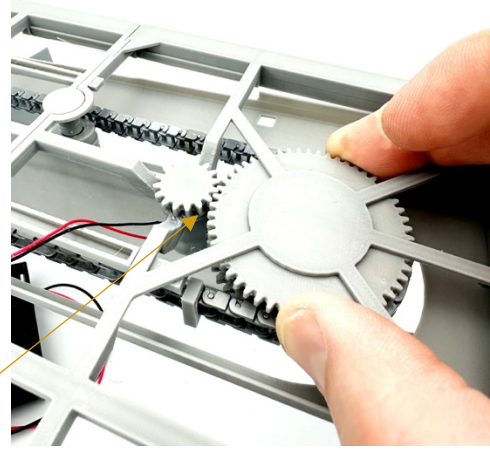
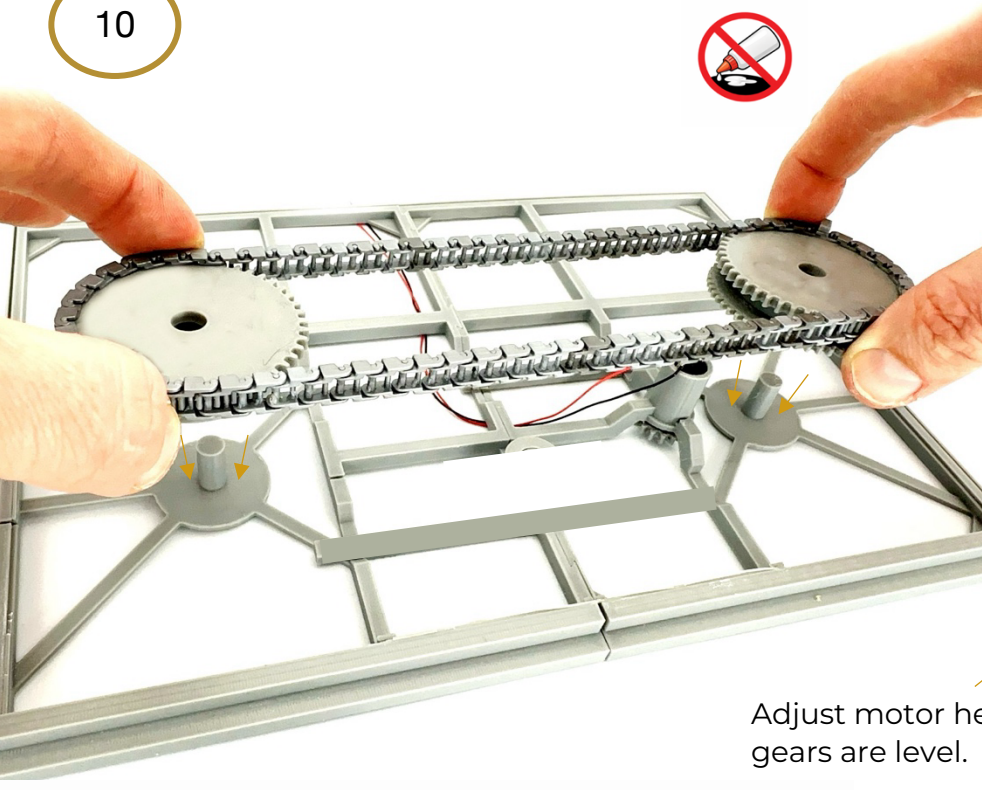
9

Once assembled, ensure all links move freely, if a link is too tight, replace with one of the spares provided, we also recommend lubricating the complete chain.

10

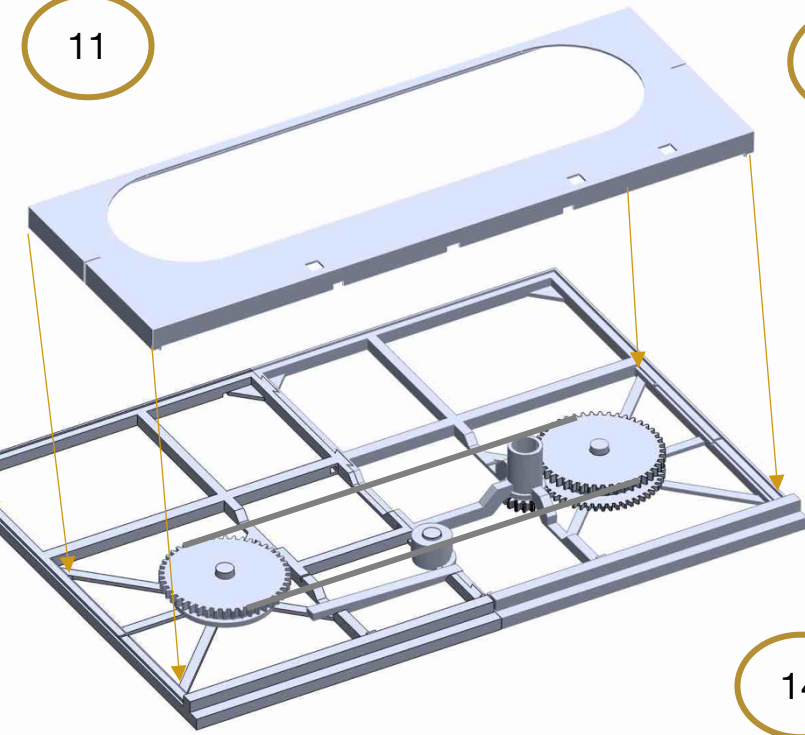


Lower gears into place, engage the drive gear and test run. We recommend lubricating the gears and runners.

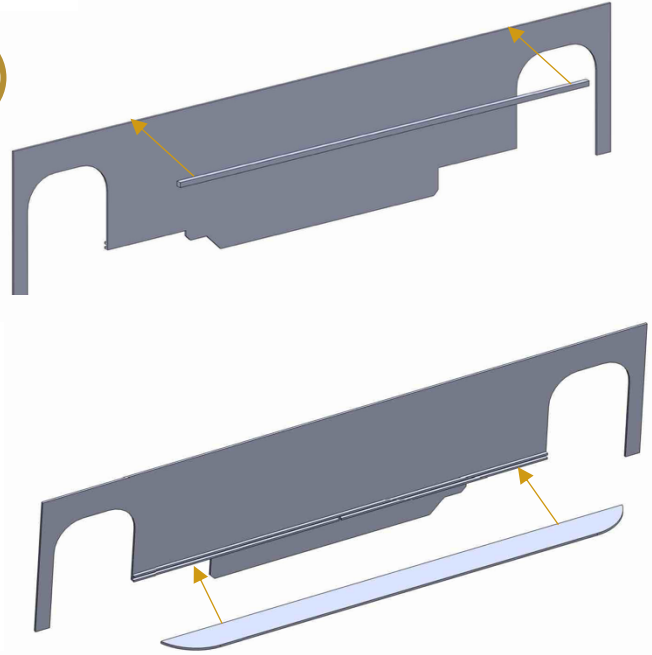


Adjust motor height to ensure drive gears are level.

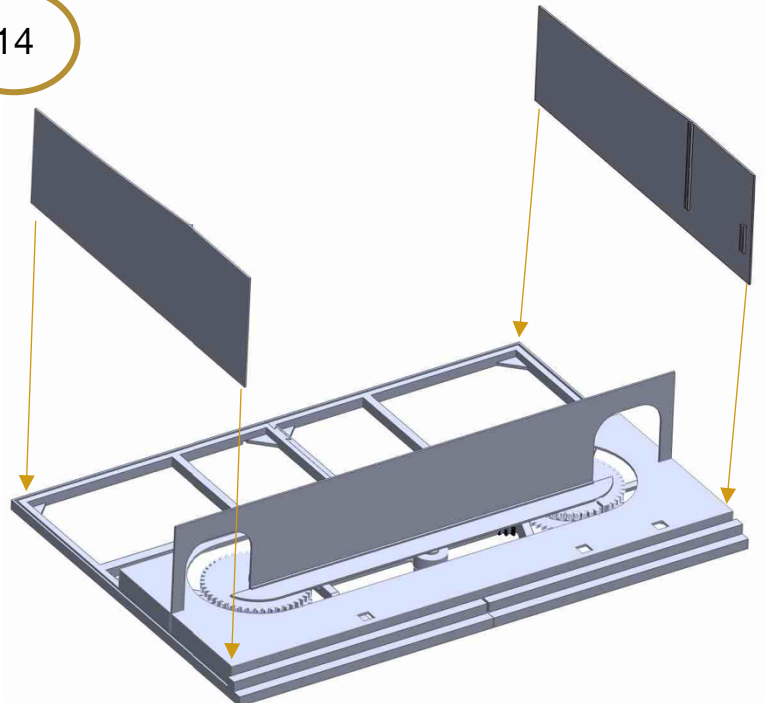
11



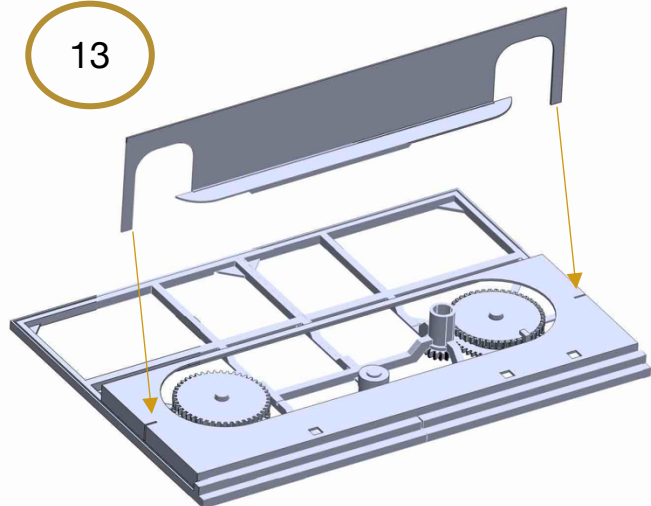
12

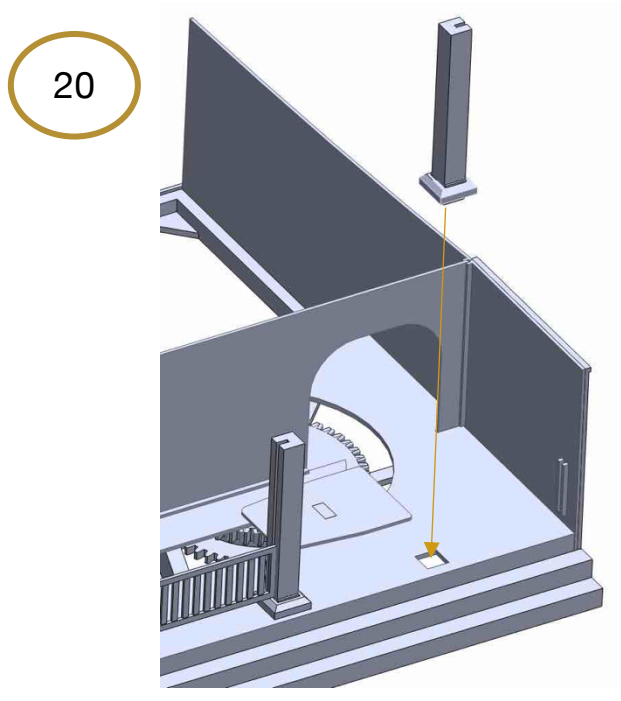
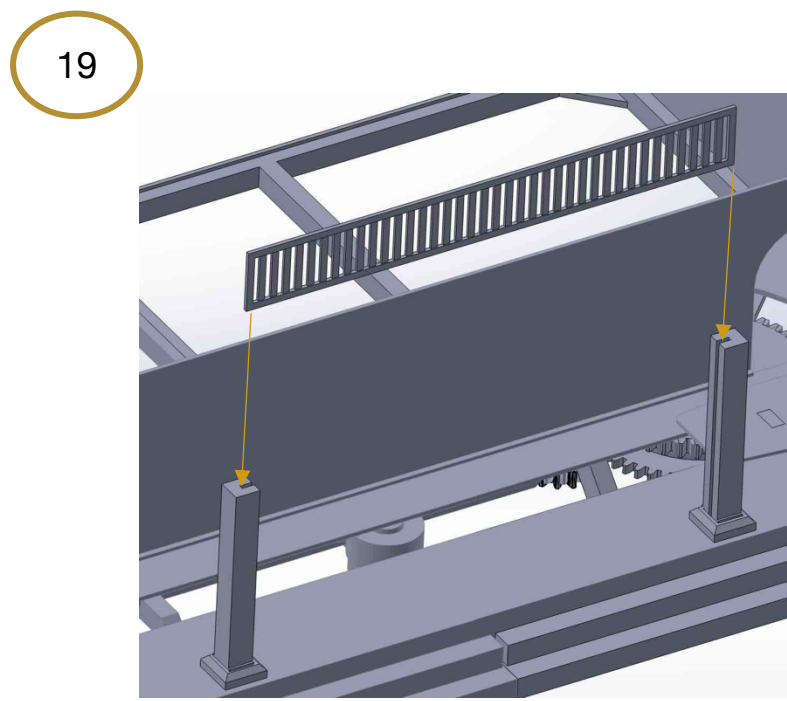
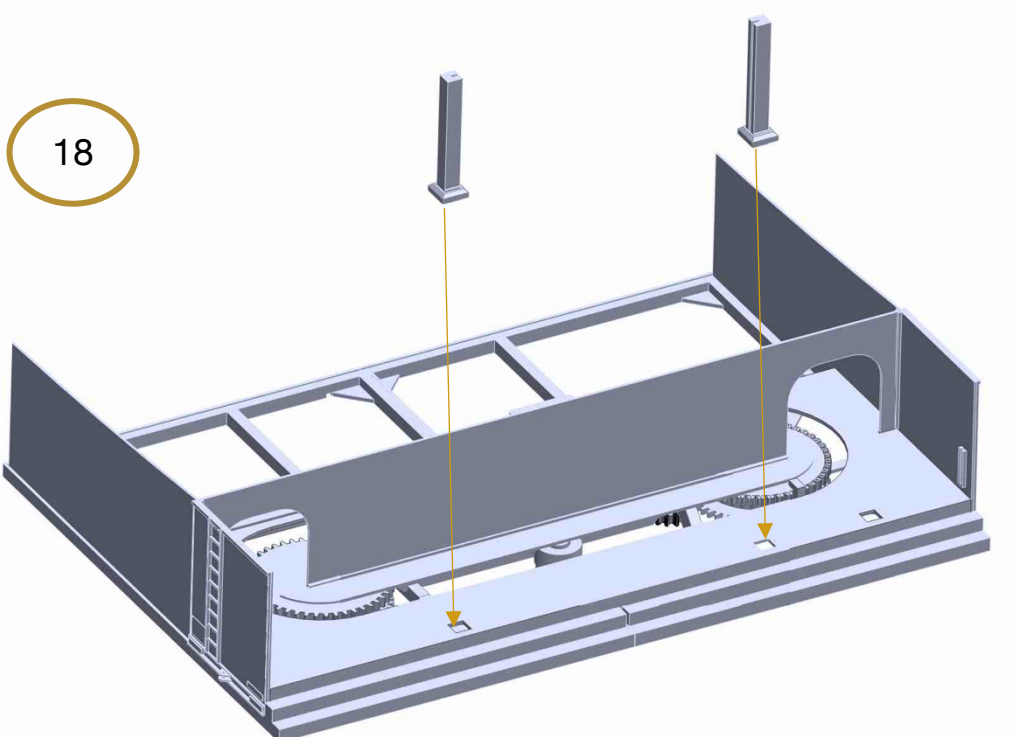
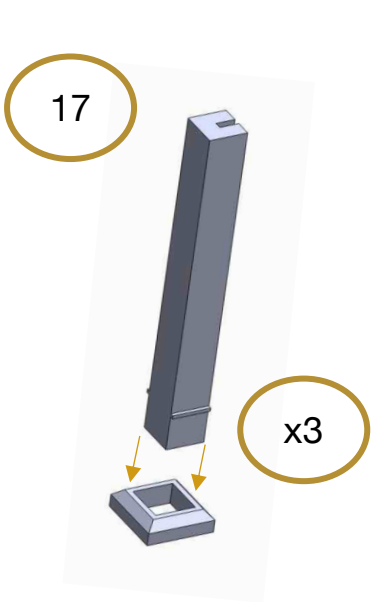
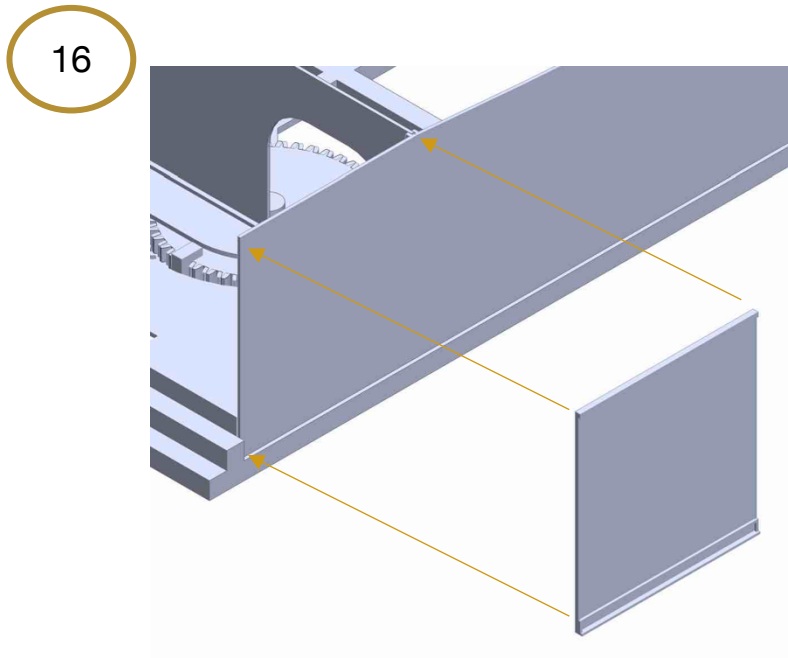
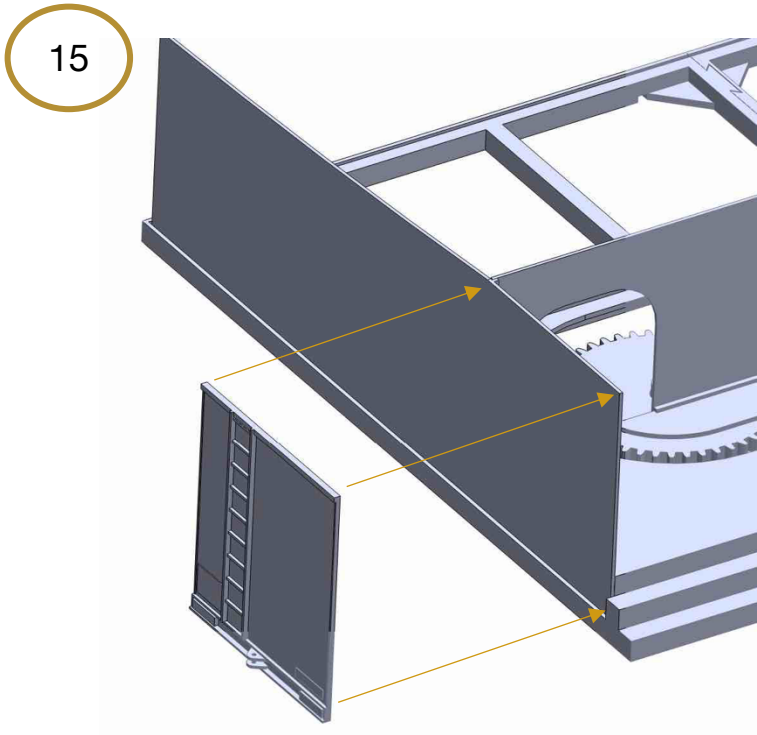


14

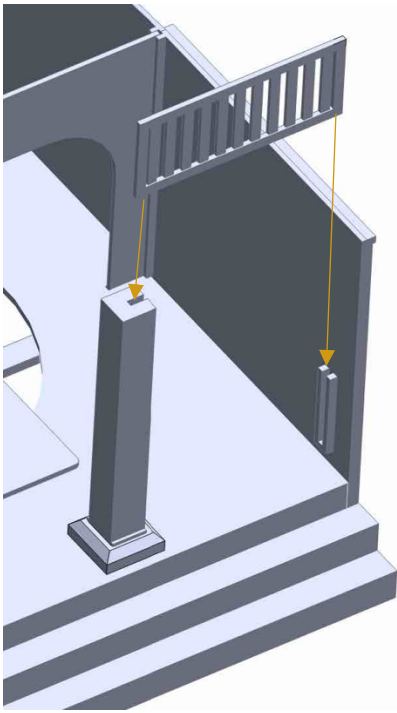


13

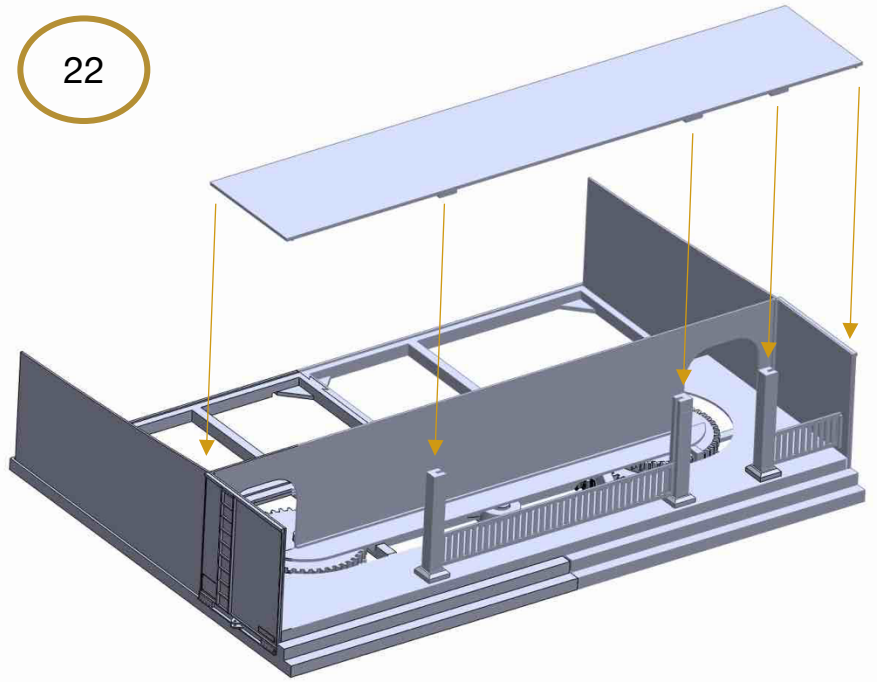




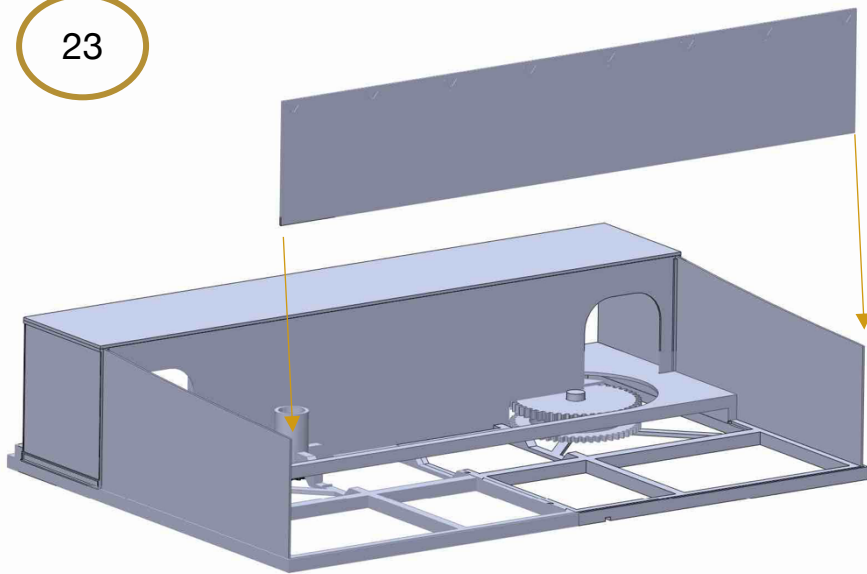
21



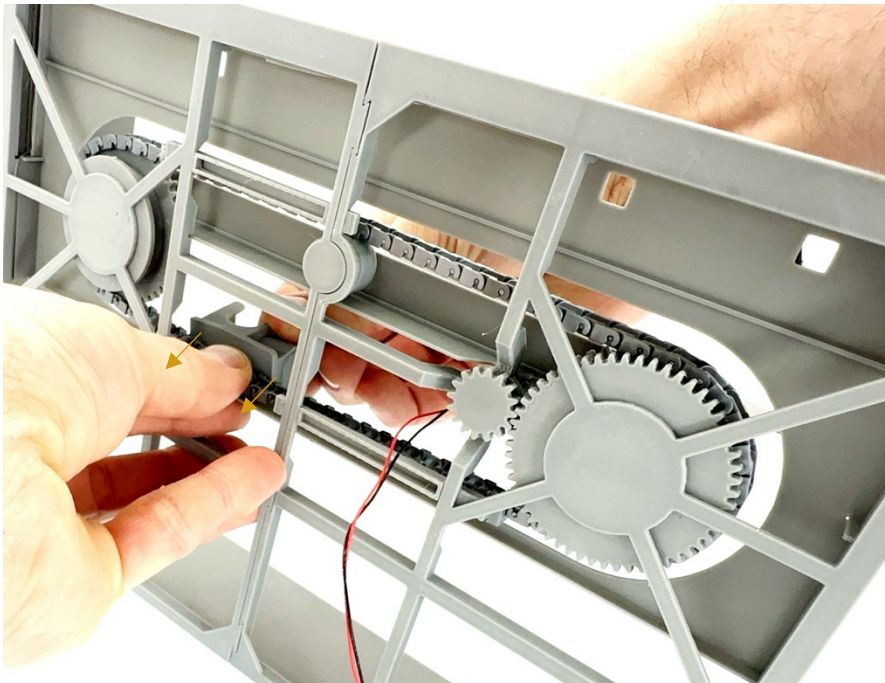
22



23



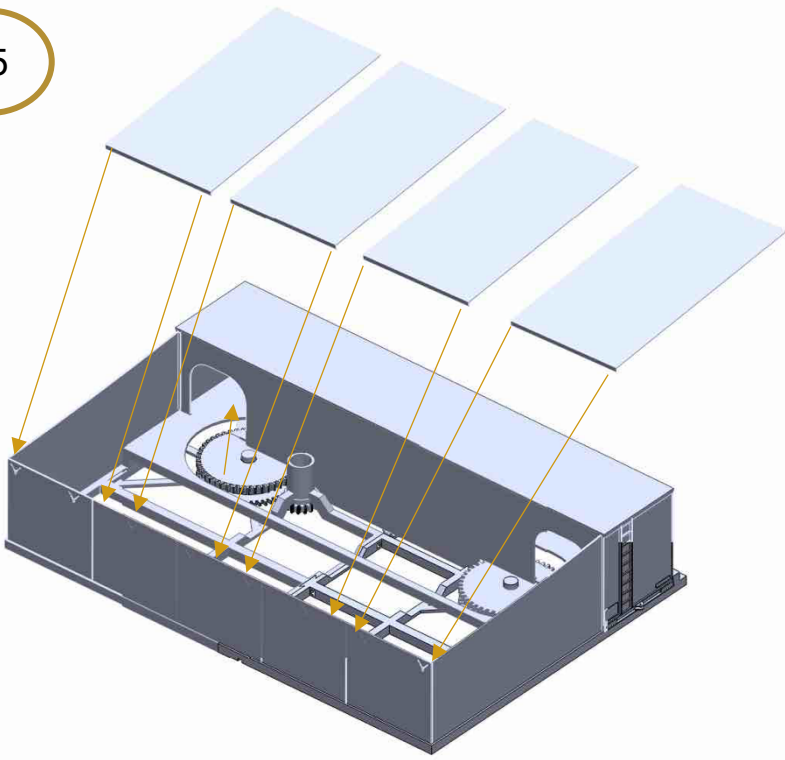
24



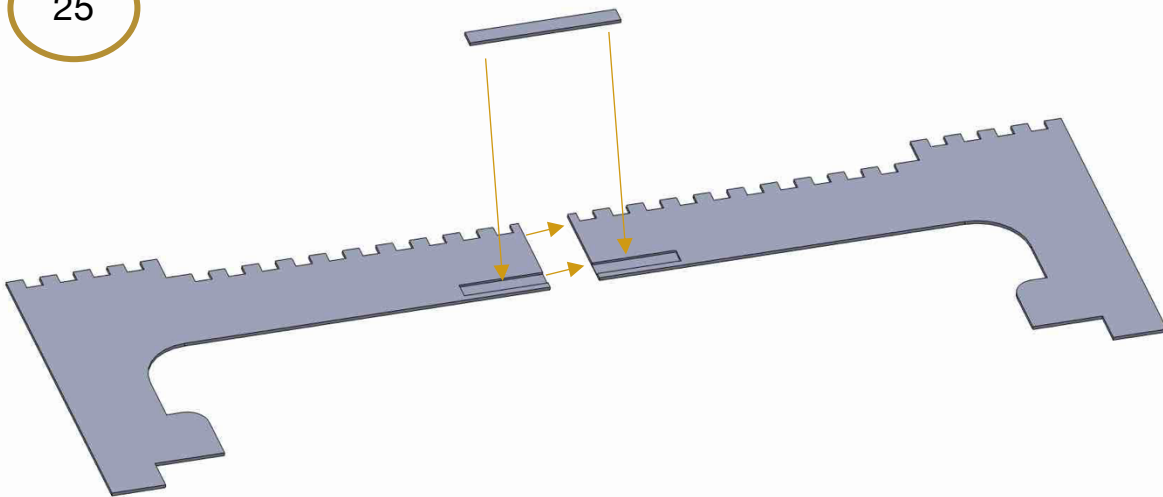
Run the motor to position each clip chain link at the rear of the ride where it is accessible.

Supporting it from underneath, attach each car in place.

25

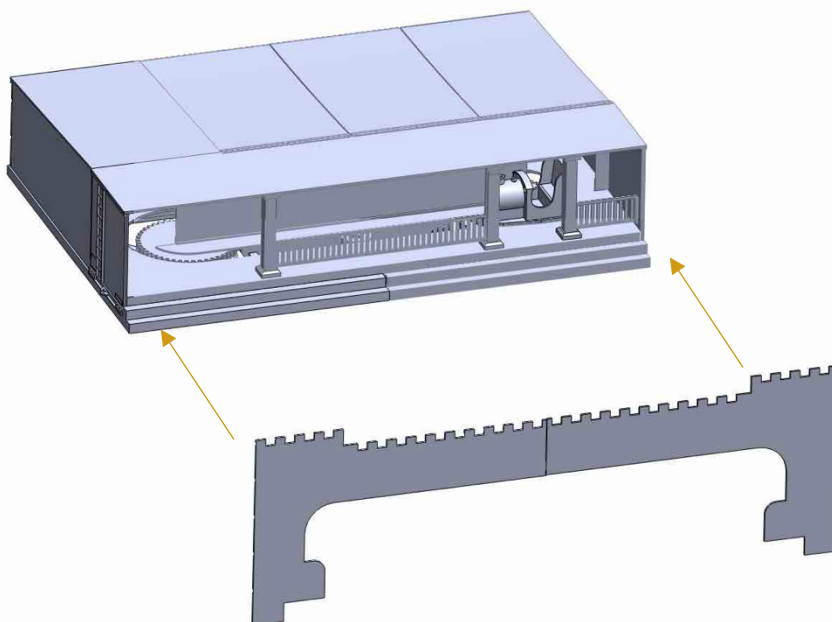


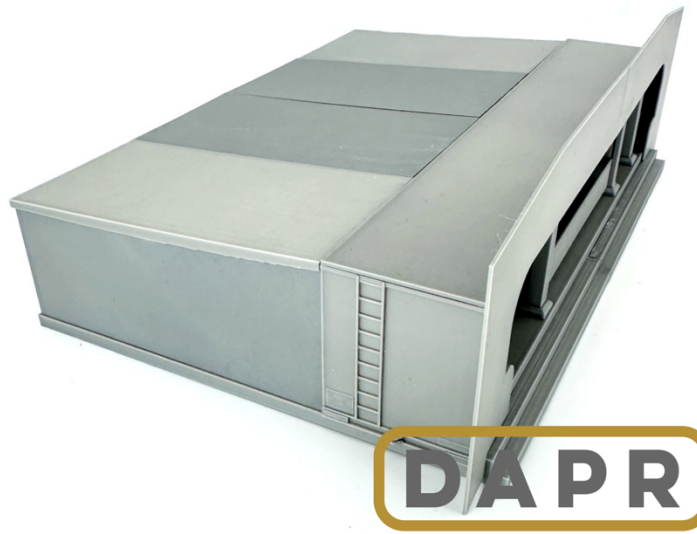
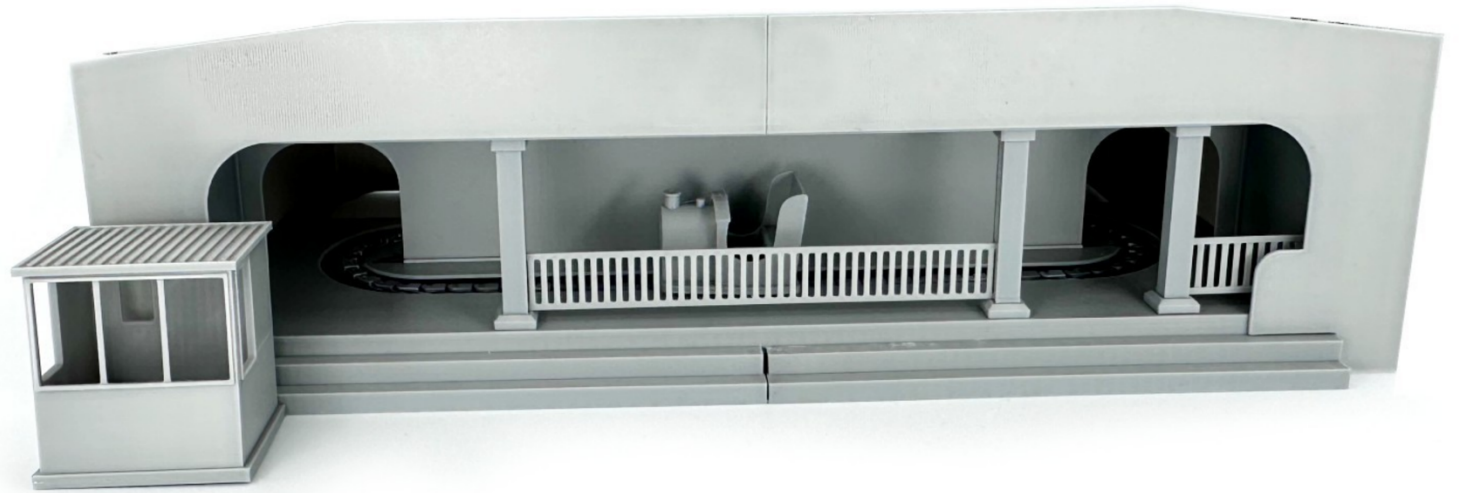
25



This process is the same for the standard frontage.

26





DAPR