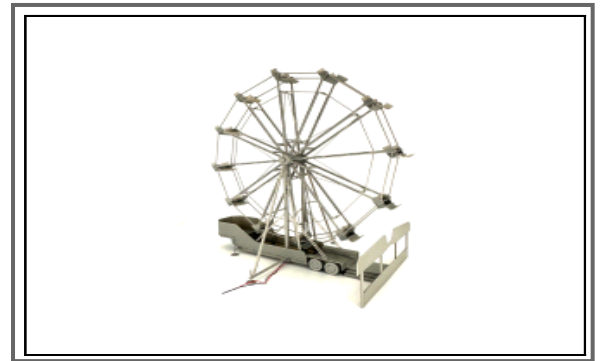


DAP247

Kit Info

Scale	1:50
Kit Components	195
Assembly Steps	34



Hints & Tips

Prep

- Carefully unpack all components from the box
- Ensure all parts are present and undamaged
- Remove any small imperfections or edges

Glue

- Use Super Glue for best results, plastic cements will not bond our kits.
- Hold parts together for 10–20 seconds.
- Super Glue with a precision nozzle recommended.
- Use small amounts to avoid visible glue marks.

Prime

- Always prime before painting for the best finish.
- Use grey/black spray primer (automotive or hobby).
- Halfords Grey or Tamiya Fine Surface Primer are well suited.
- Apply light, even coats, spray from 20–30 cm distance. Allow each coat to fully dry before painting.

Paint

- Use acrylic or enamel paints

Acrylic paints:

- Easy to use and quick drying
- Low odour and water clean-up

Enamel paints:

- Strong, durable finish
- Longer drying time allows smoother results
- Requires solvents for thinning/cleaning

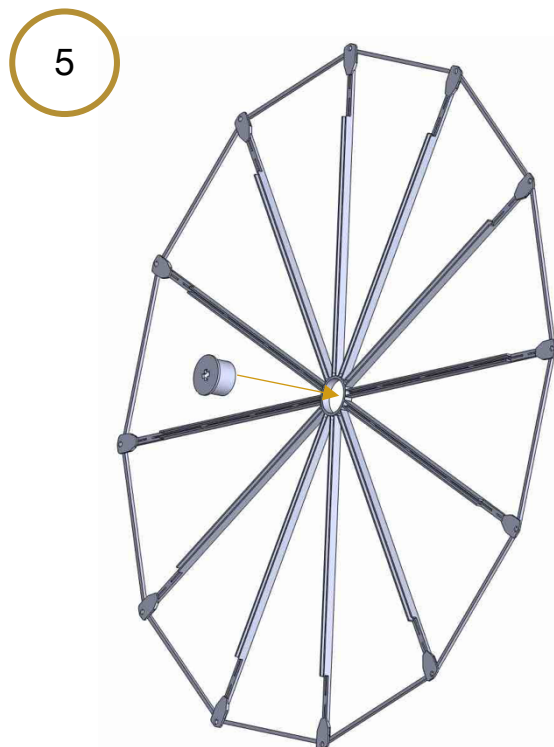
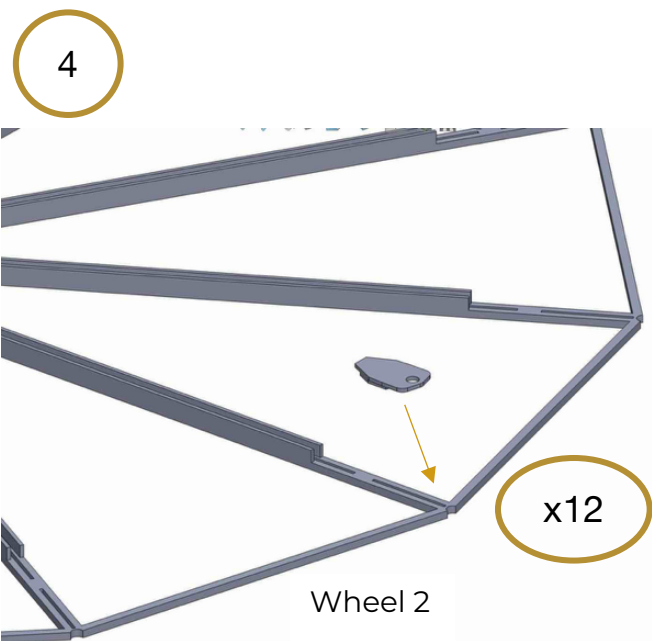
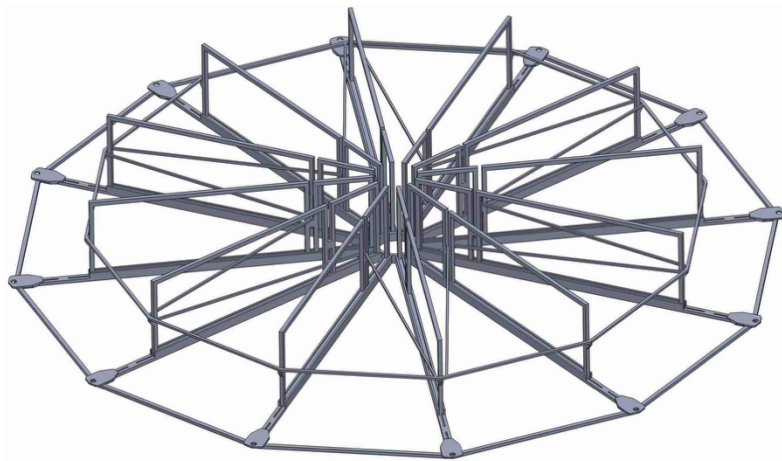
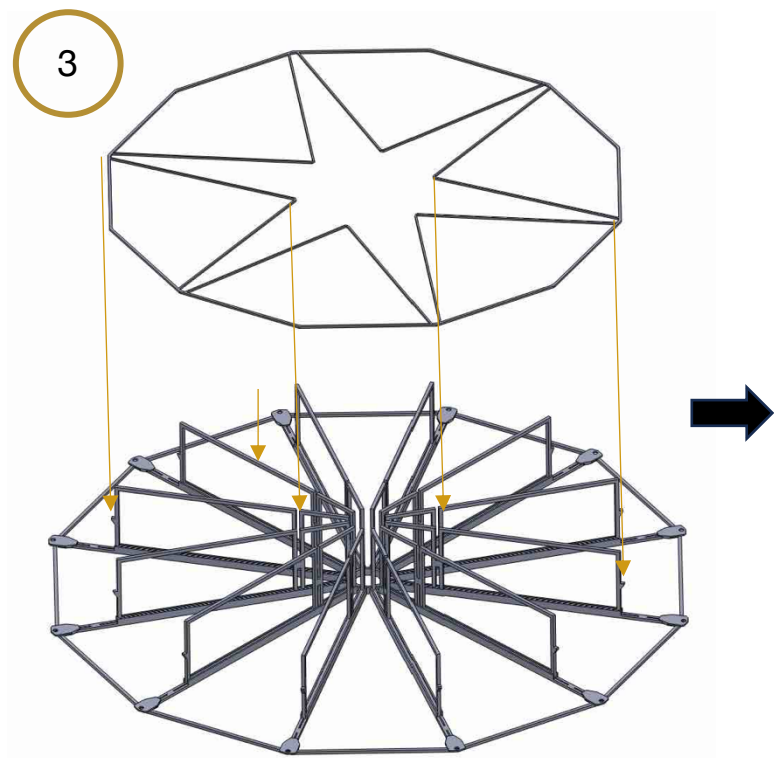
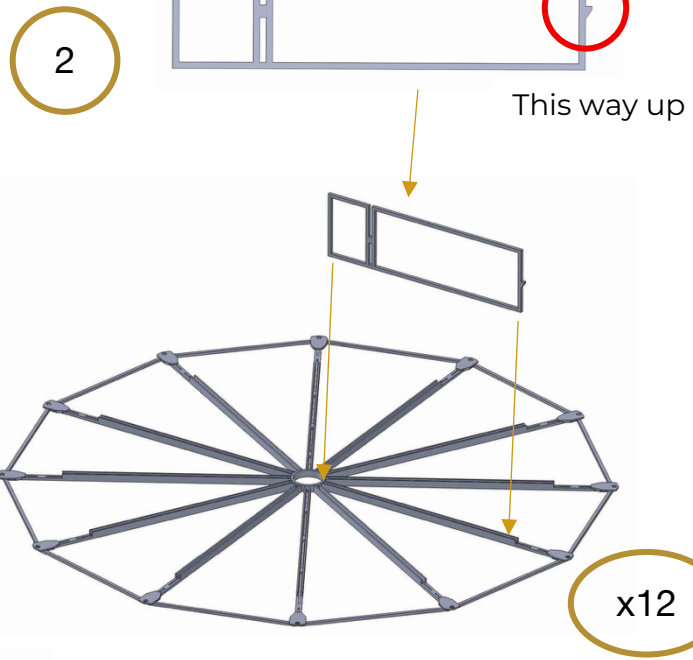
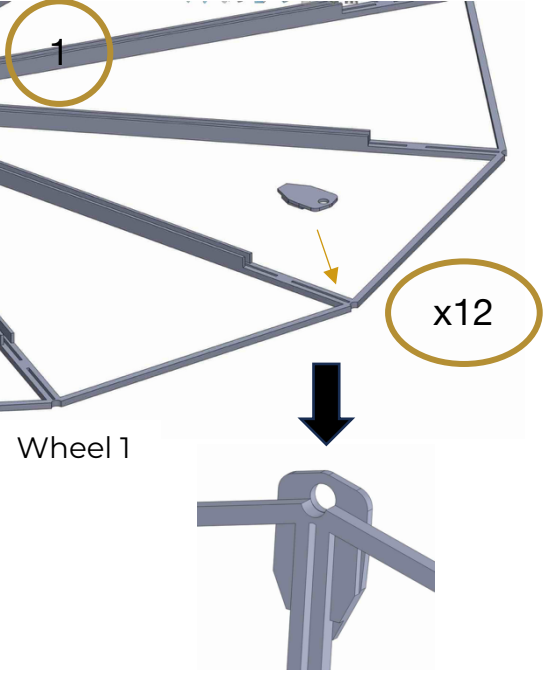
Trusted brands:

- Revell (widely available, good all-round range)
- Humbrol (well-known enamel & acrylic range)
- Tamiya (good all-round, airbrush friendly)
- Vallejo (excellent for brush painting)
- Citadel (great for beginners & detail work)

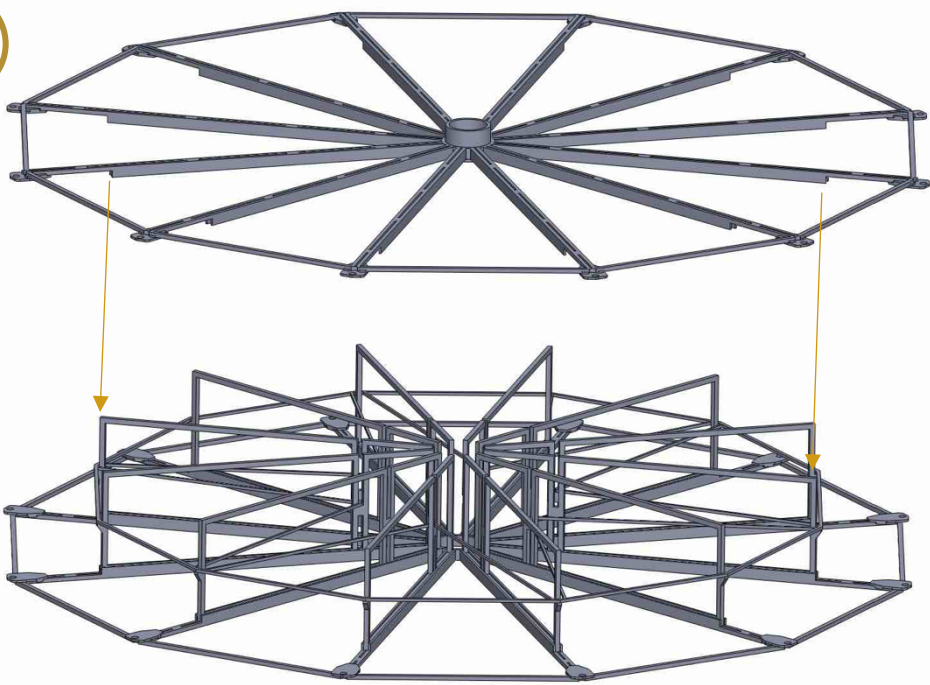
Application tips:

- Apply multiple thin coats
- Avoid thick layers to preserve detail
- Use a fine brush for small details

- This product is **not a toy** and contains small parts.
- Recommended for **ages 12+**, or younger users with **adult supervision**.
- Take care when using **sharp tools** (craft knives, files, & other modelling tools).
- Use adhesives, paints & solvents in a **well-ventilated area**, noting brand guidelines.
- Avoid contact with skin and eyes when using **glues, paints, or chemicals**.
- Keep all materials and tools **out of reach of children**.
- Do not leave models in **direct sunlight, hot cars, or near radiators**.
- **Please note**, some instruction sheets may reflect earlier versions of kits, due to ongoing improvements, parts and assembly steps may vary, if anything does not match or you are unsure, please contact us before proceeding.
- The component count shown on this page includes spare parts, **some small variations in quantity may occur**.

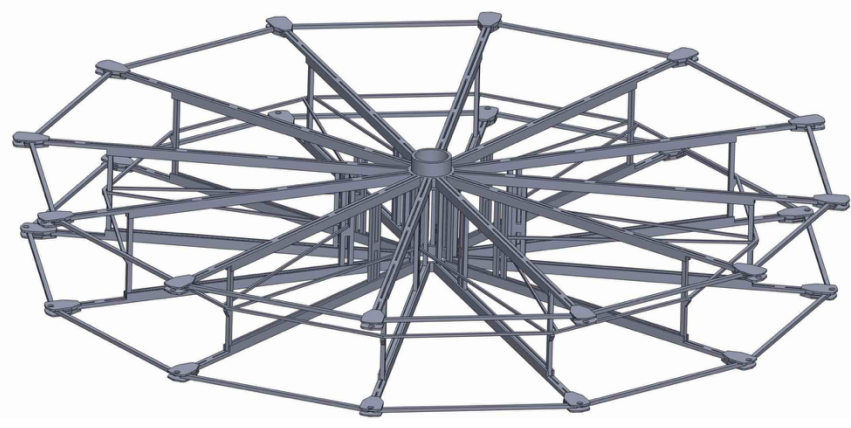
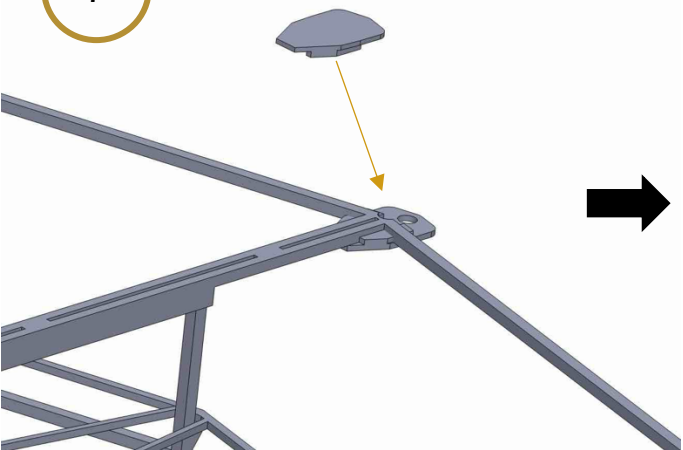


6



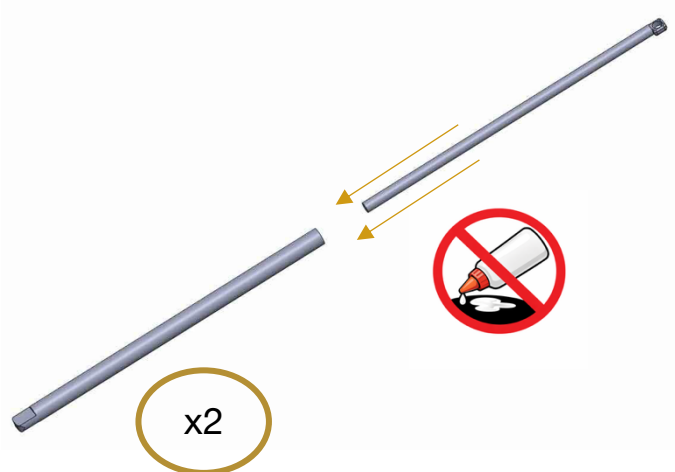
Check all 12 frame sections to ensure all tabs on both wheels are fully engaged at both ends

7

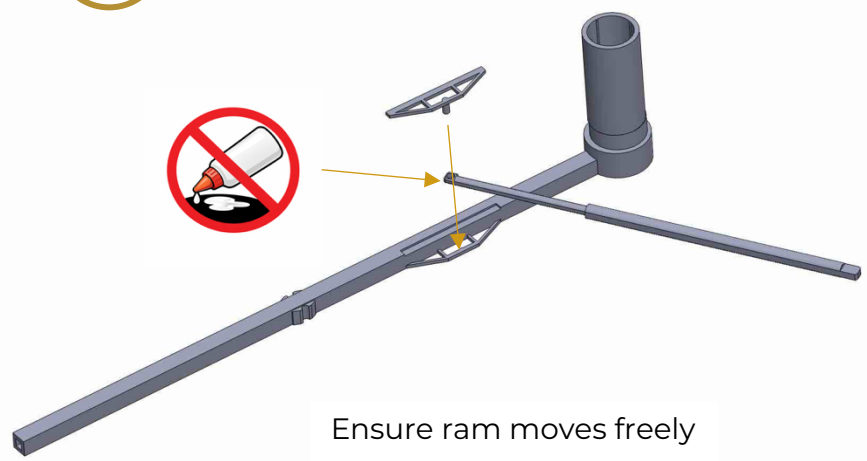


Apply to outer edge of both wheels

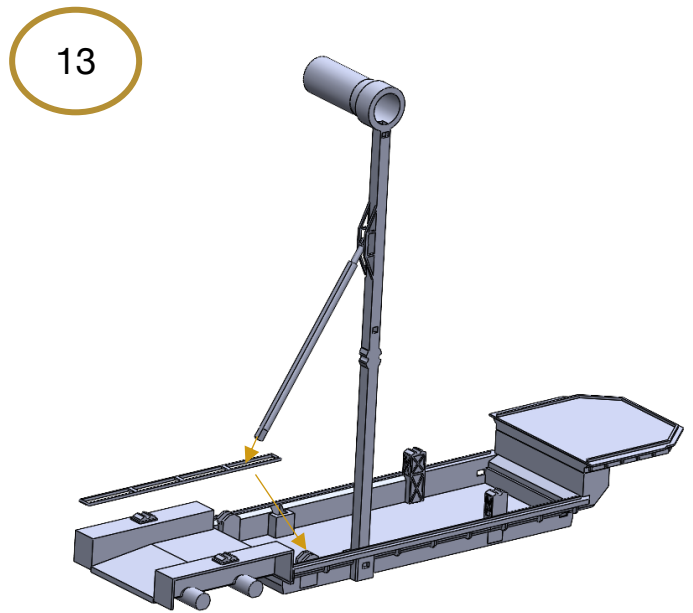
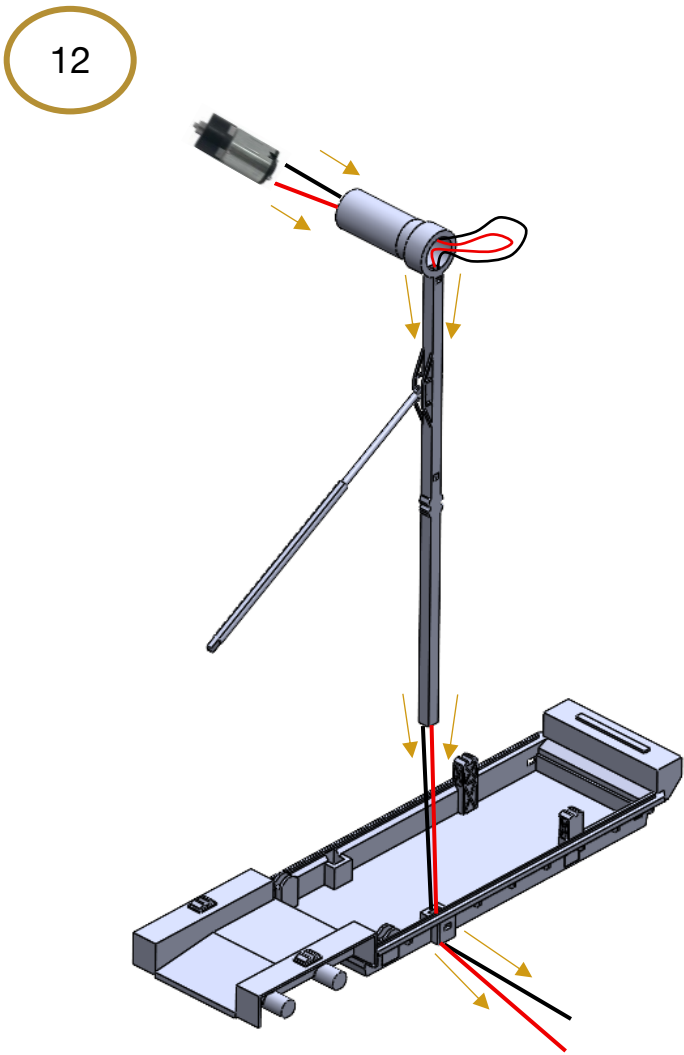
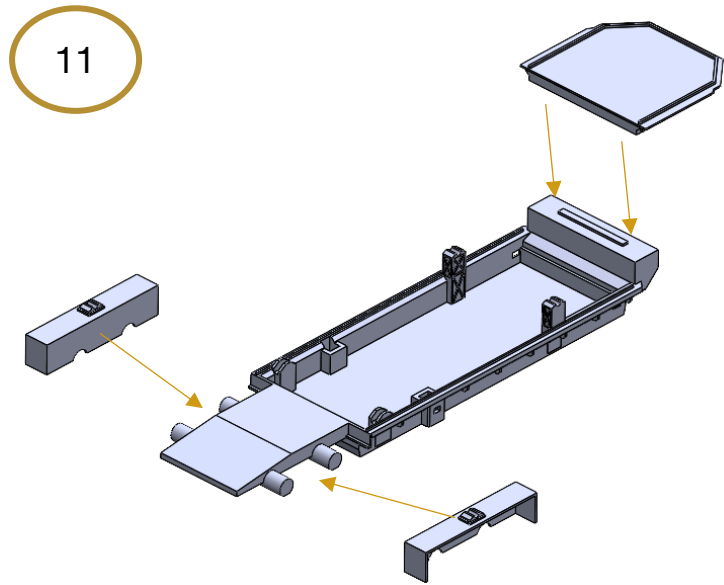
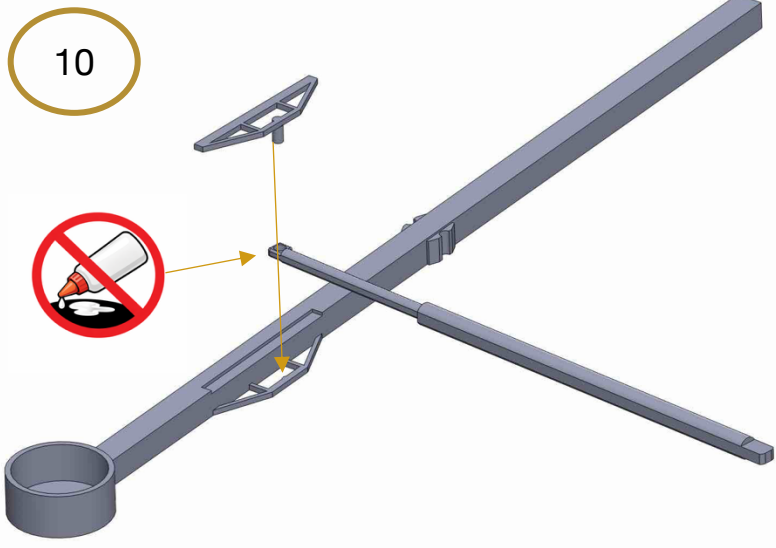
8



9

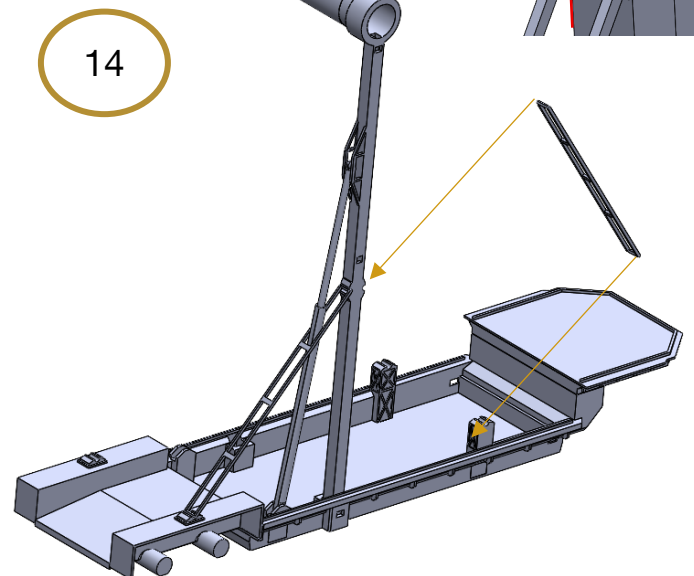
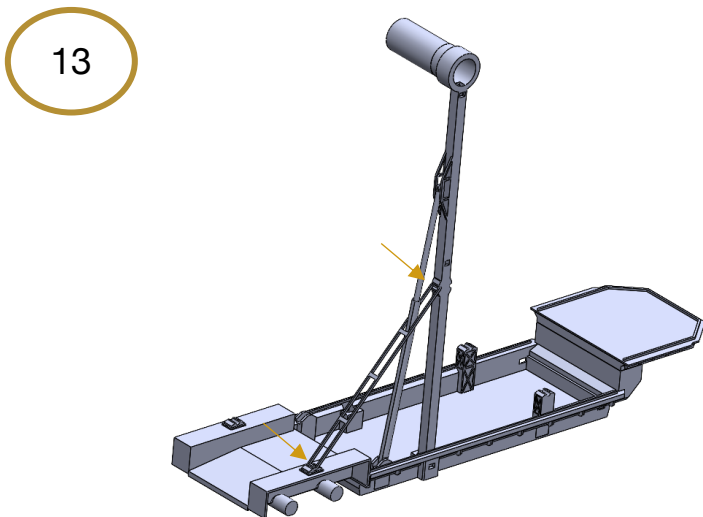
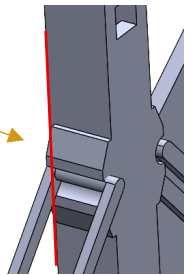


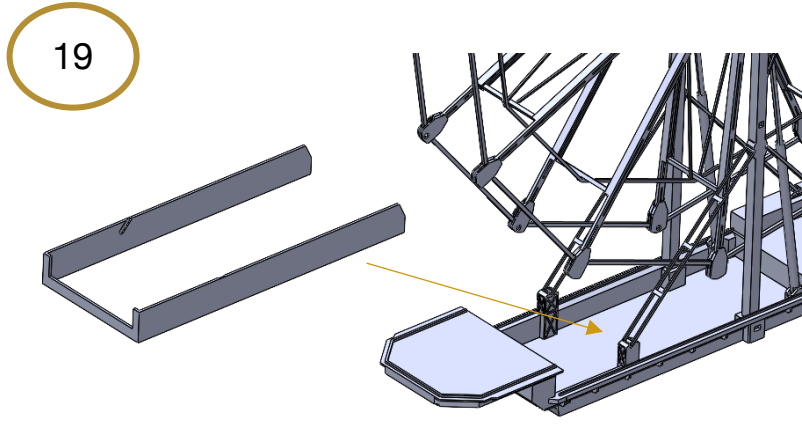
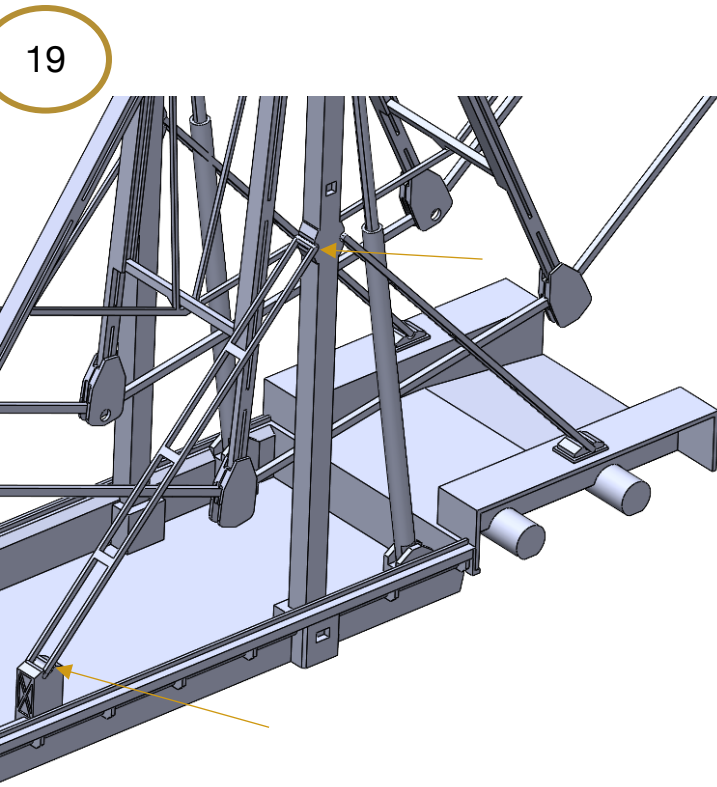
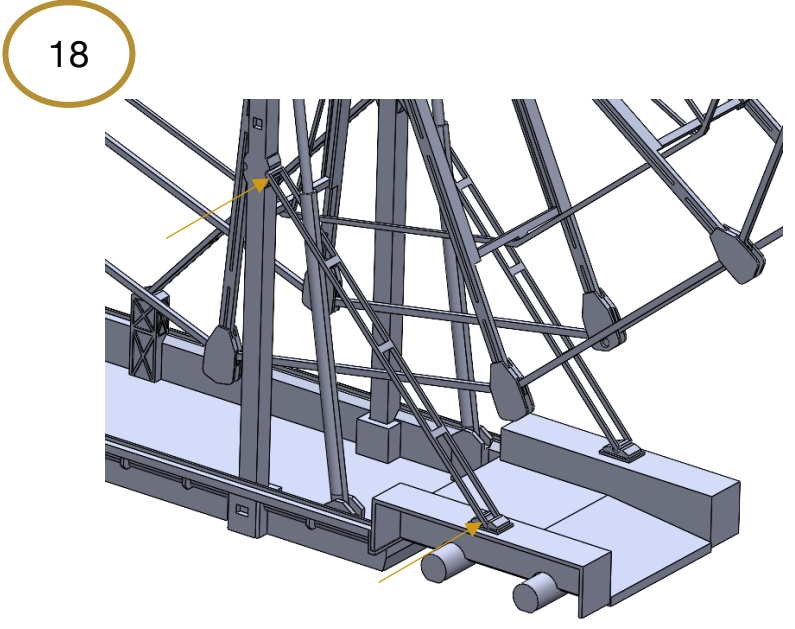
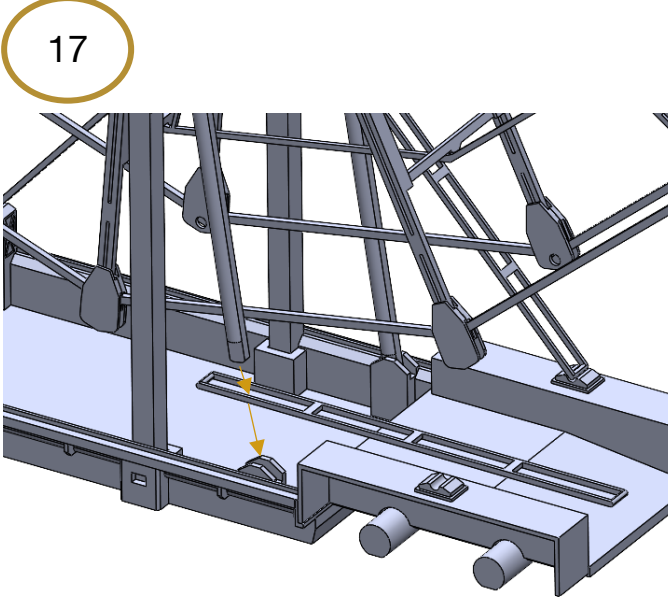
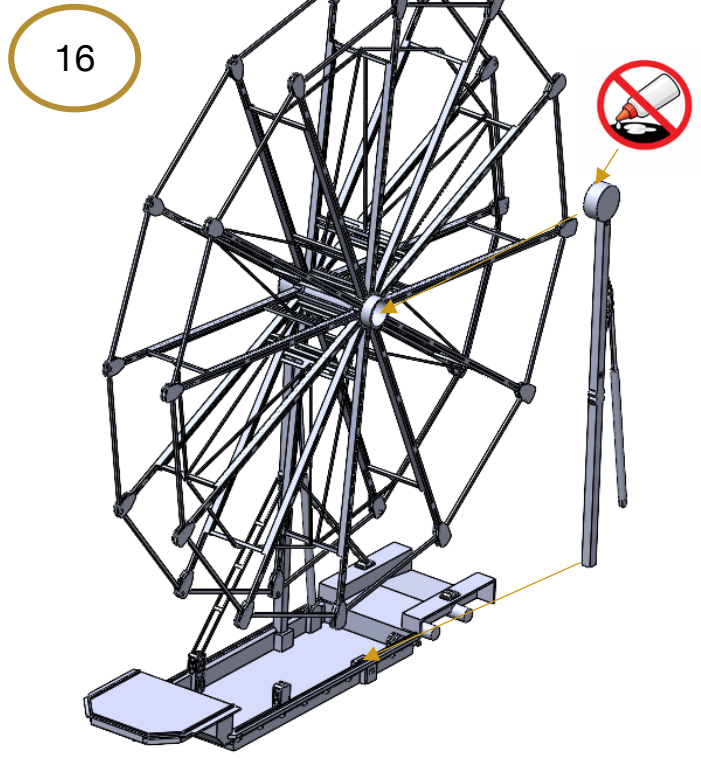
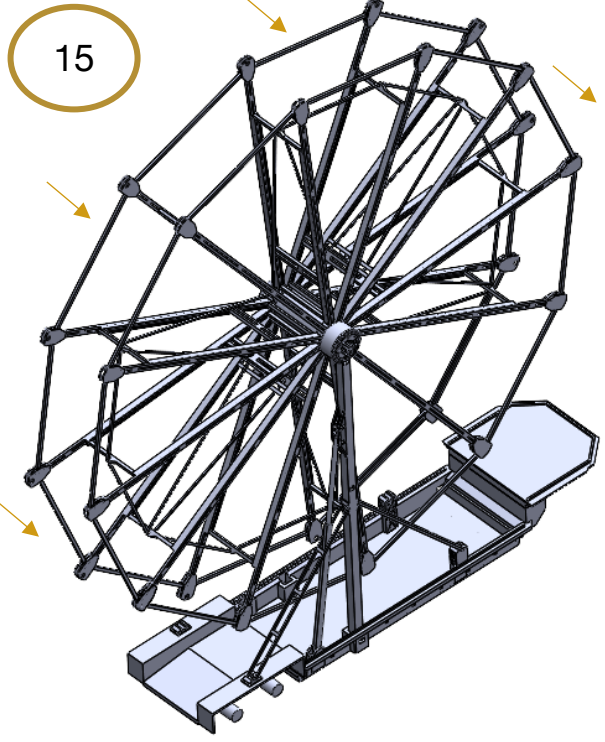
Ensure ram moves freely

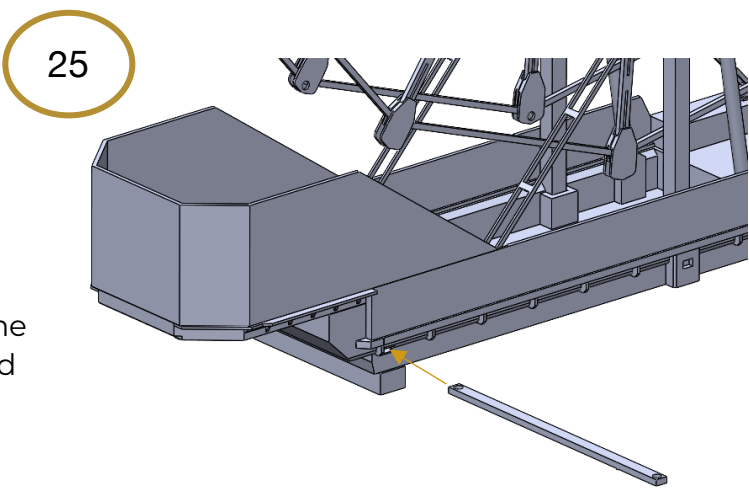
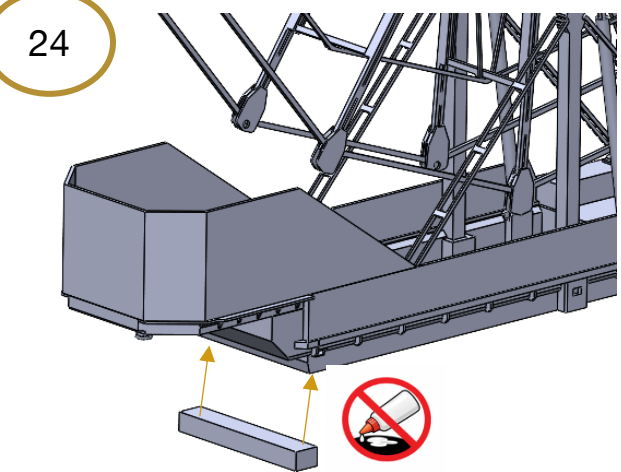
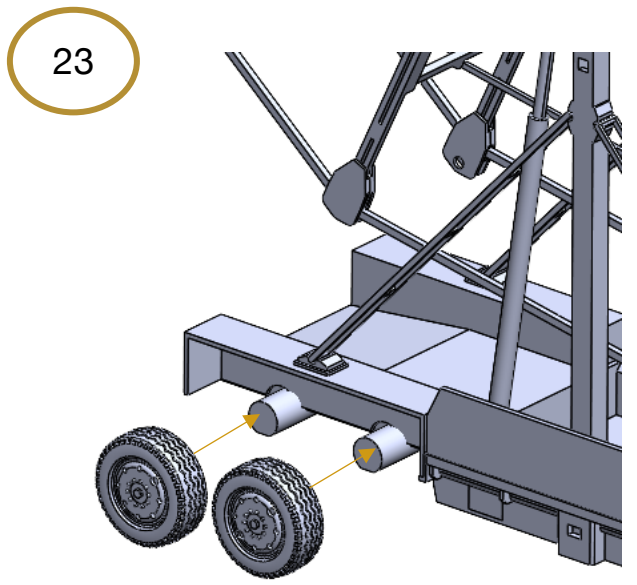
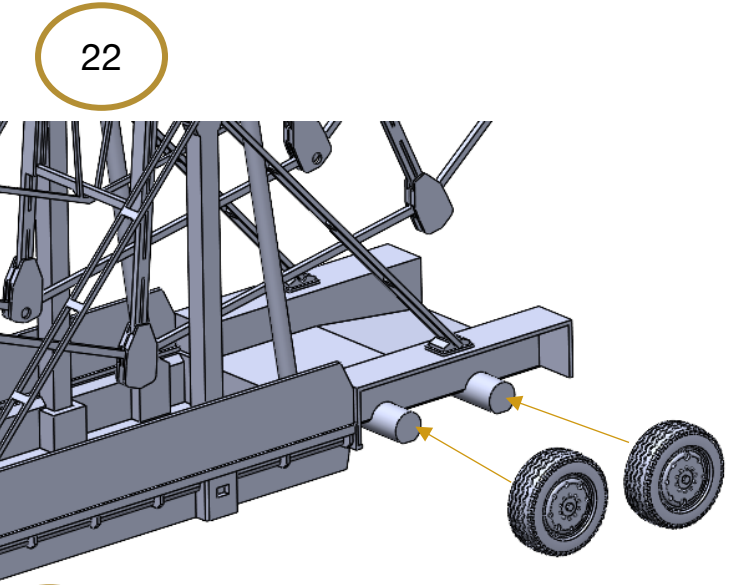
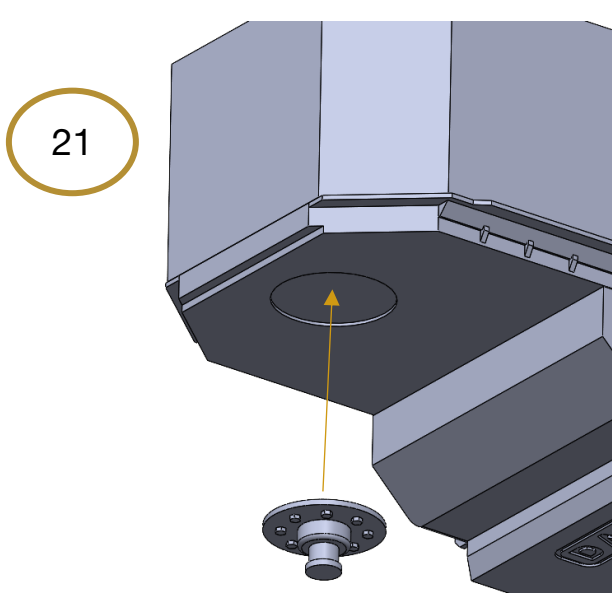
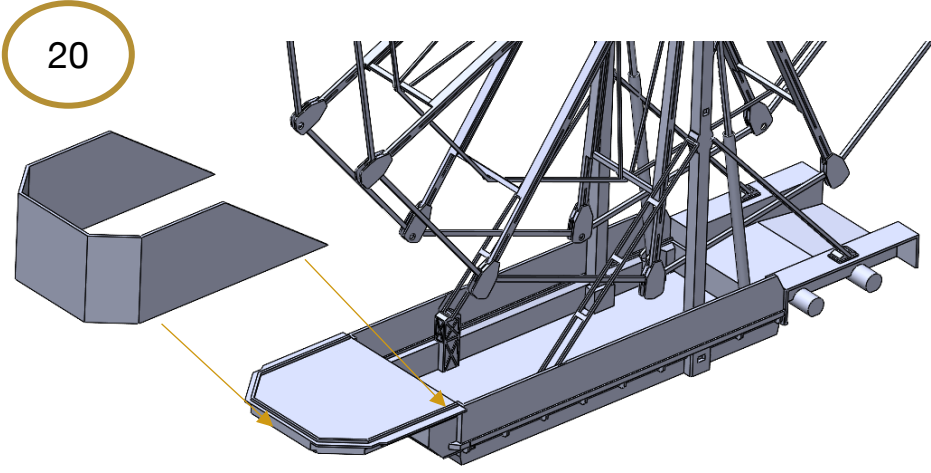


Ram sits inside the support section

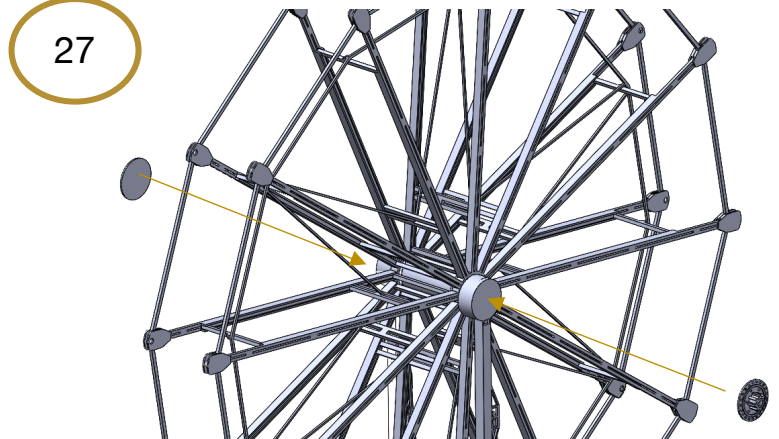
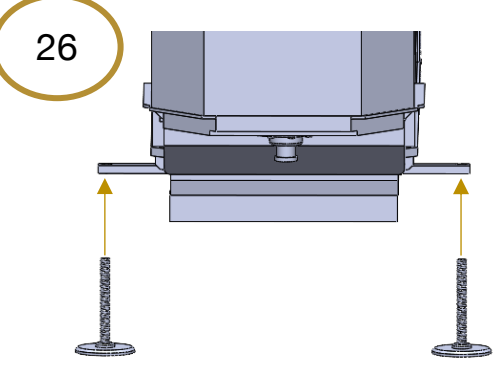
Ensure supports don't overlap the inside edge to avoid catching the main wheel when turning



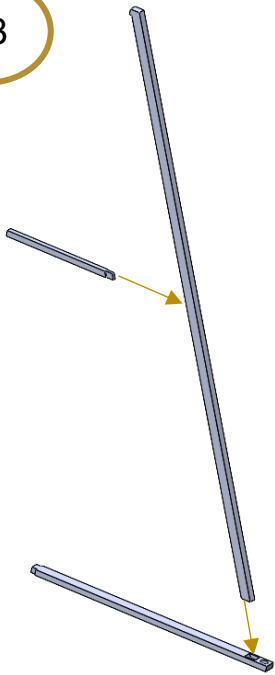




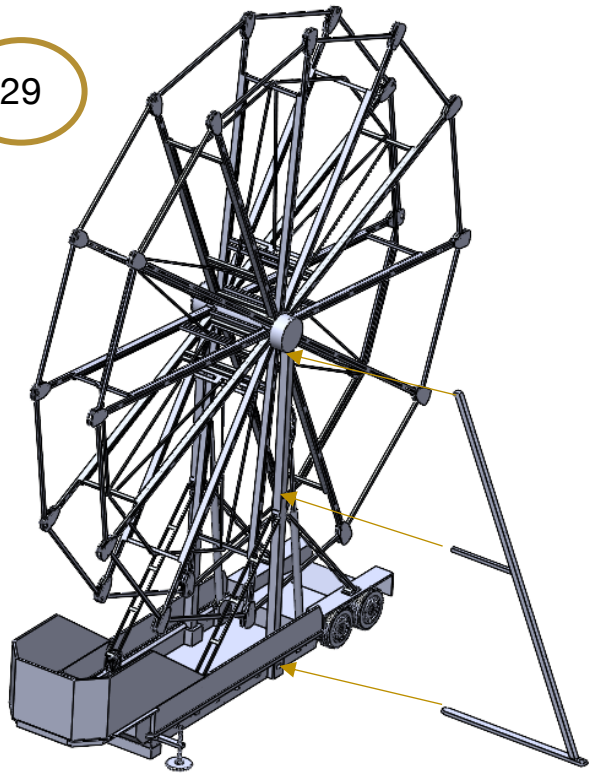
This spacer is used to set the trailer height to ensure the stabiliser feet are at the correct level, it can be removed at step 30 (*glue in place if you want to make the trailer more stable or see step 33*).



28

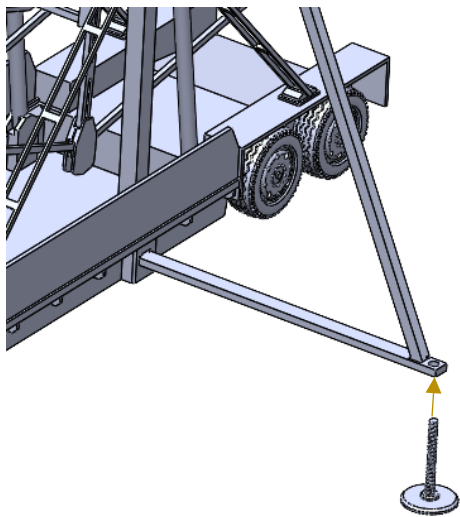


29

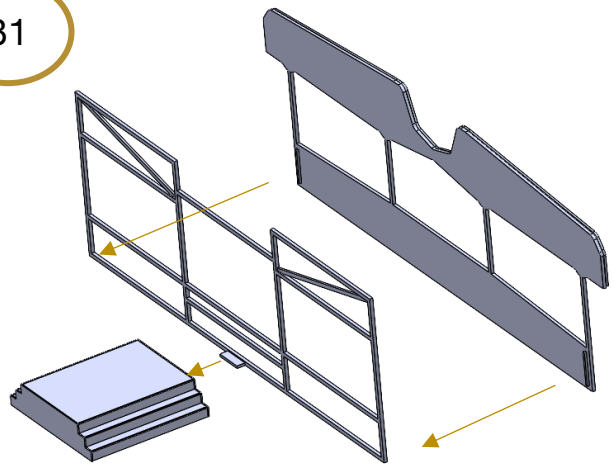


x2

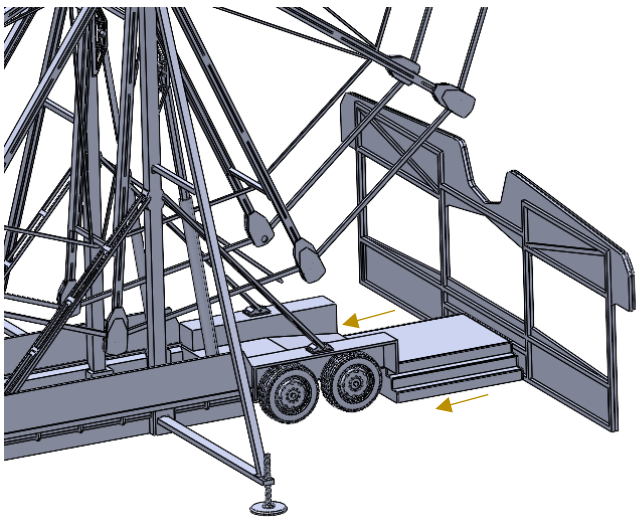
30



31

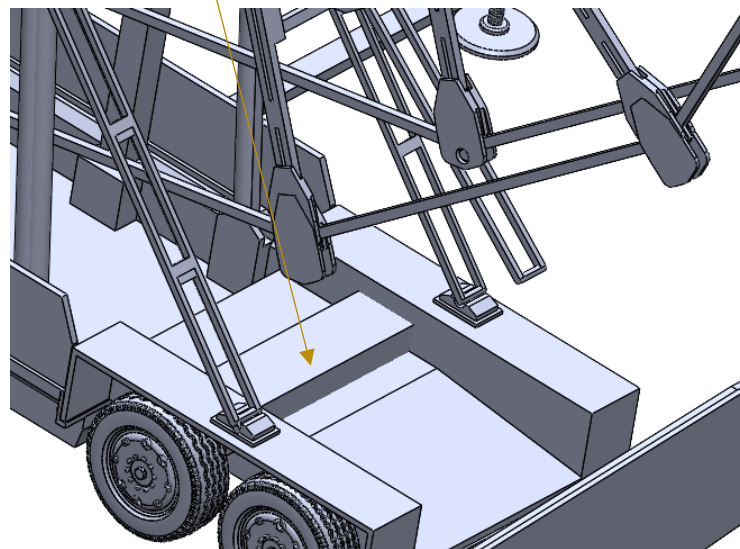


32

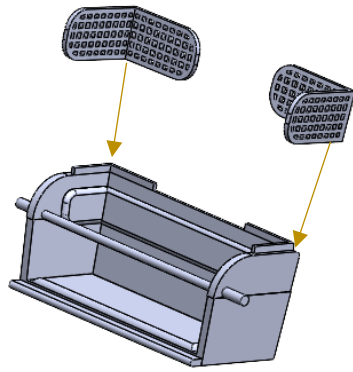
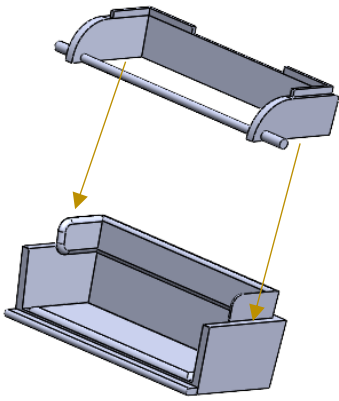


33

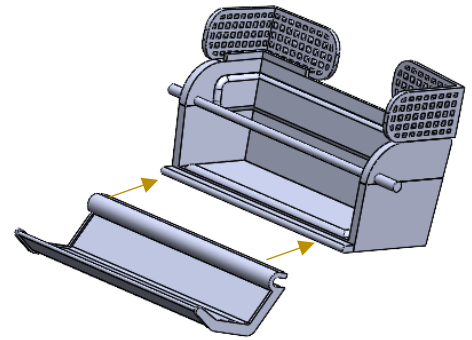
Once stabiliser feet are set, the spacer can be used as an additional 'step' for riders.



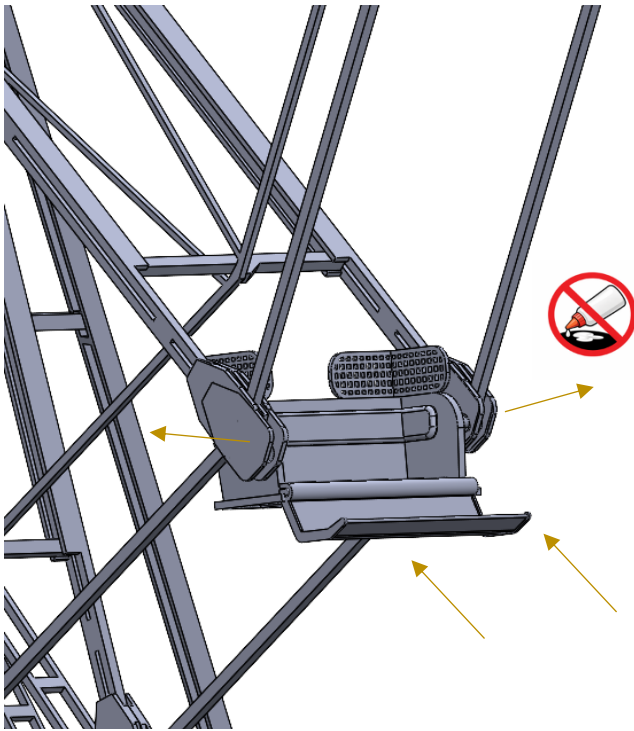
33



x12



34



Open the wheel sections enough to position the cars into the slots, ensure they swing freely.