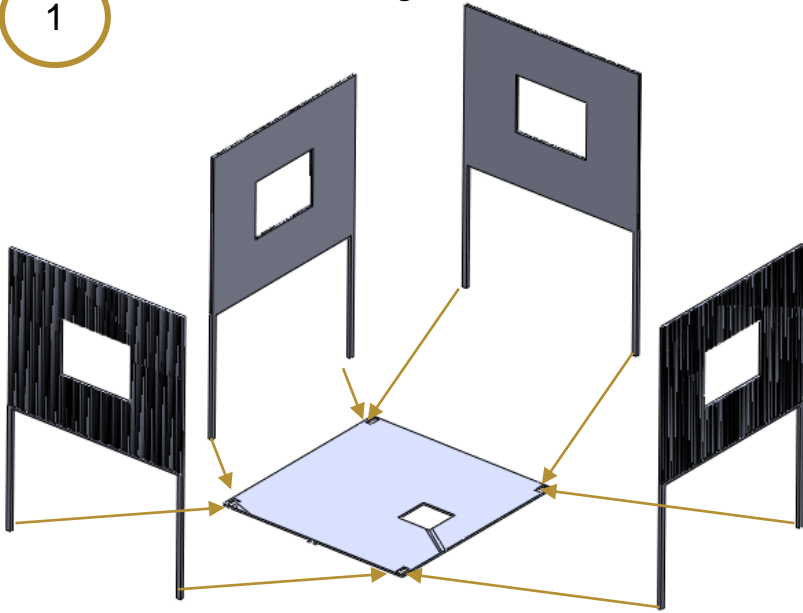
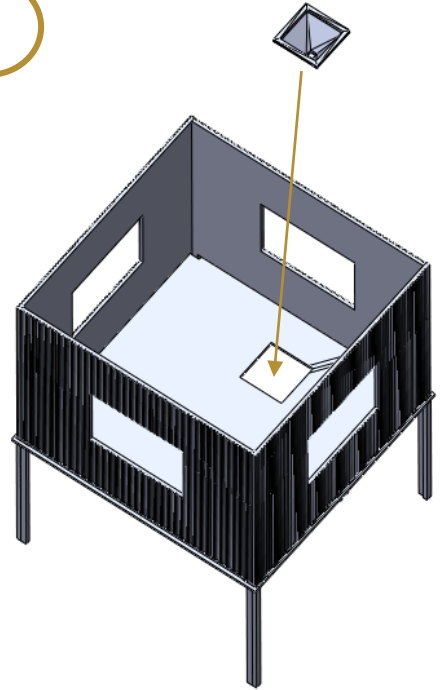


Junction Building

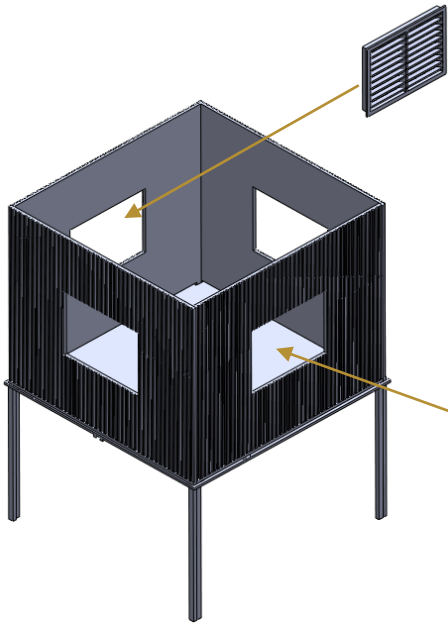
1



2

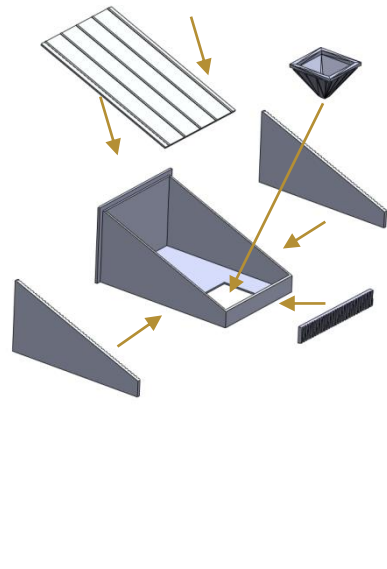


3



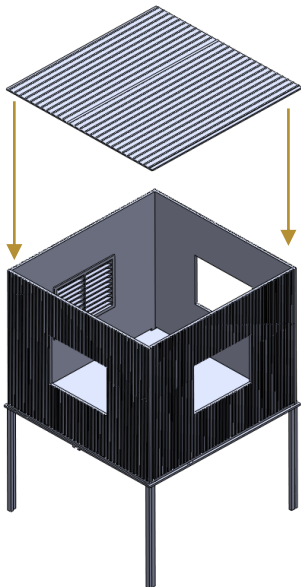
OR

4



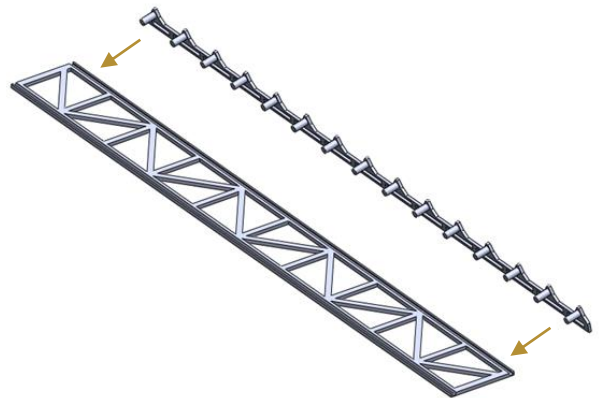
Leave openings clear if using conveyors

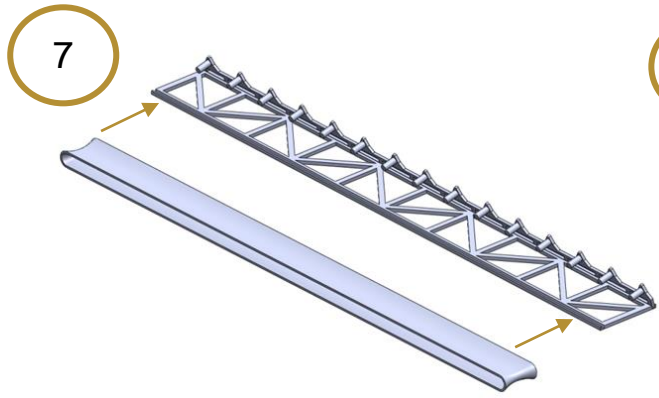
5



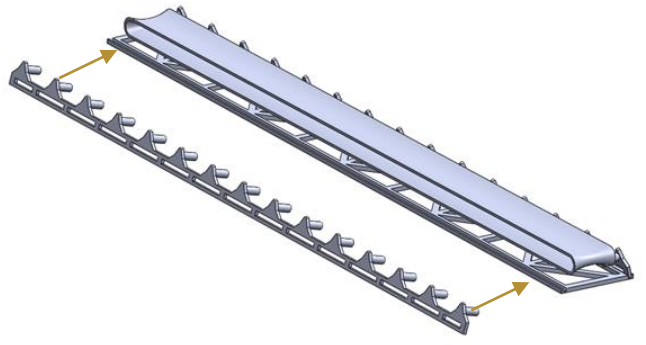
6

Covered Conveyor

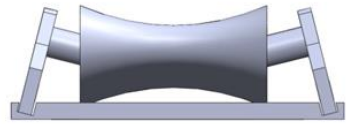




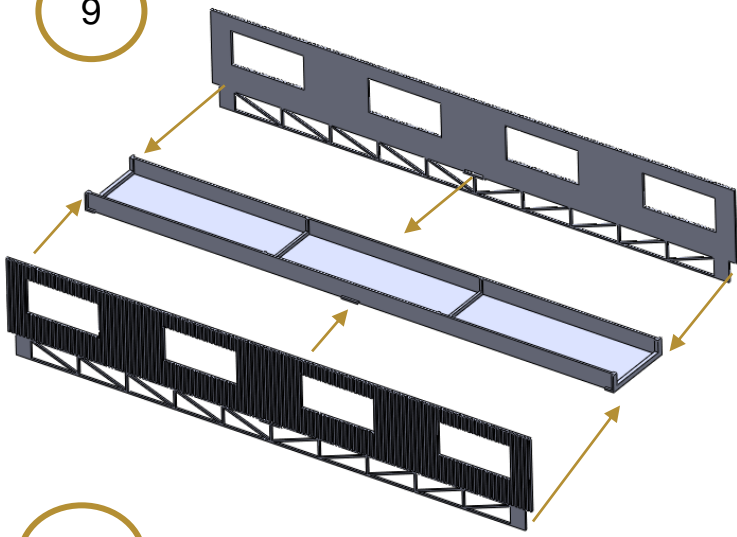
8



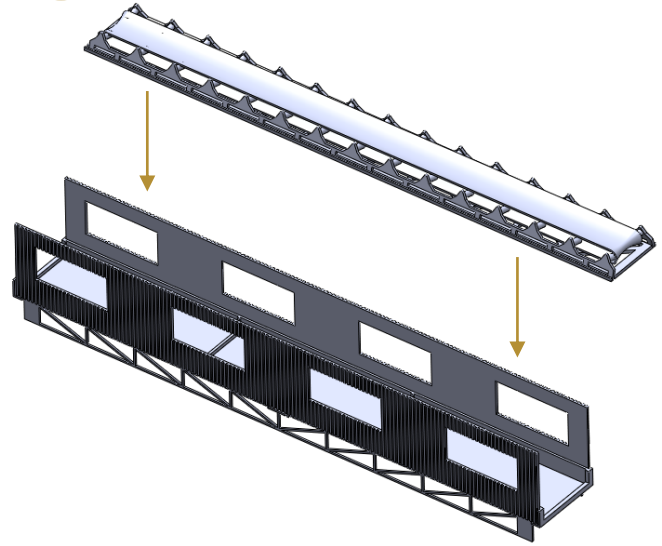
Belt will sit in place without glue once fully assembled



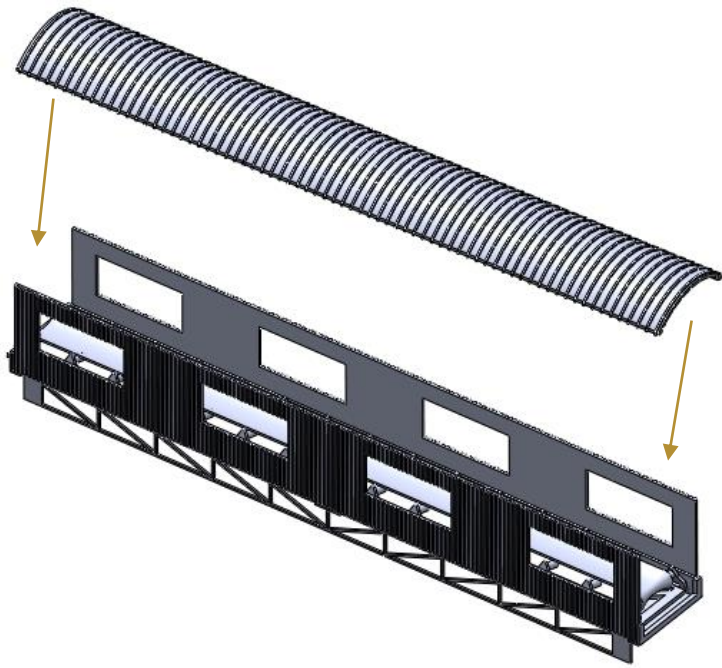
9



10

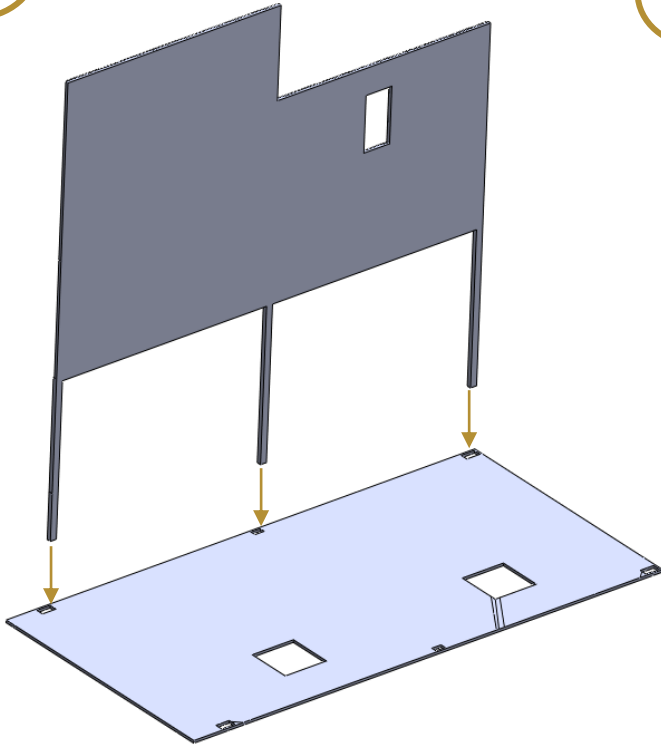


11

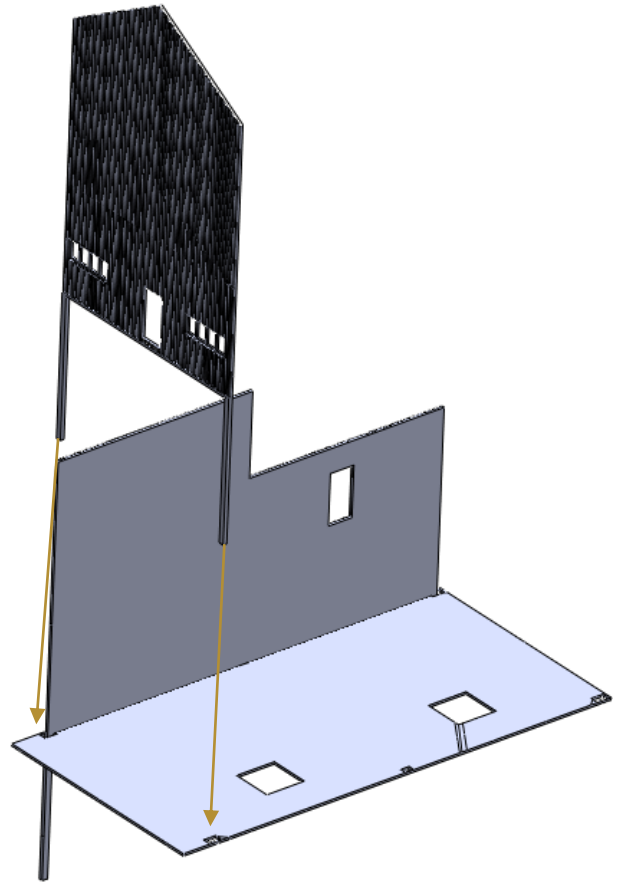


12

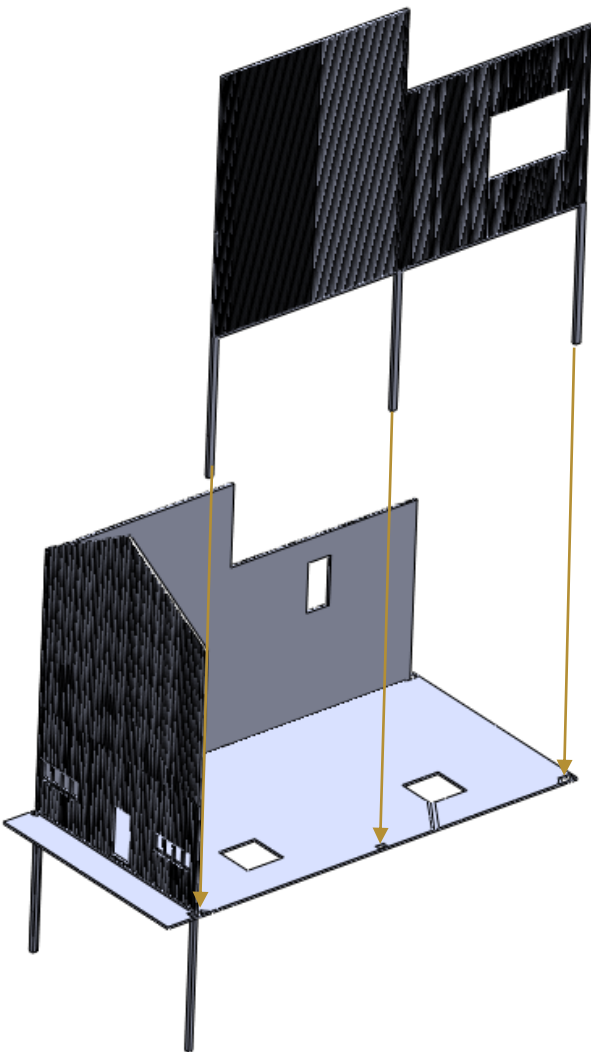
Side Building



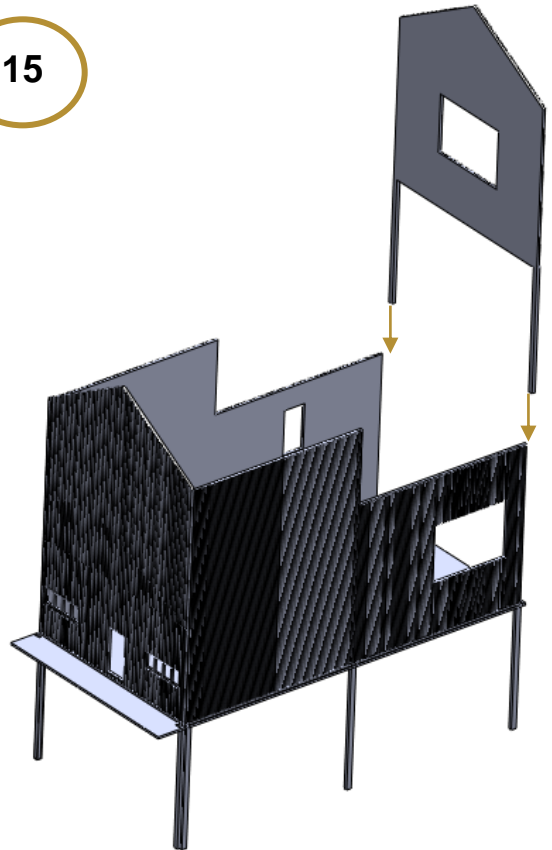
13



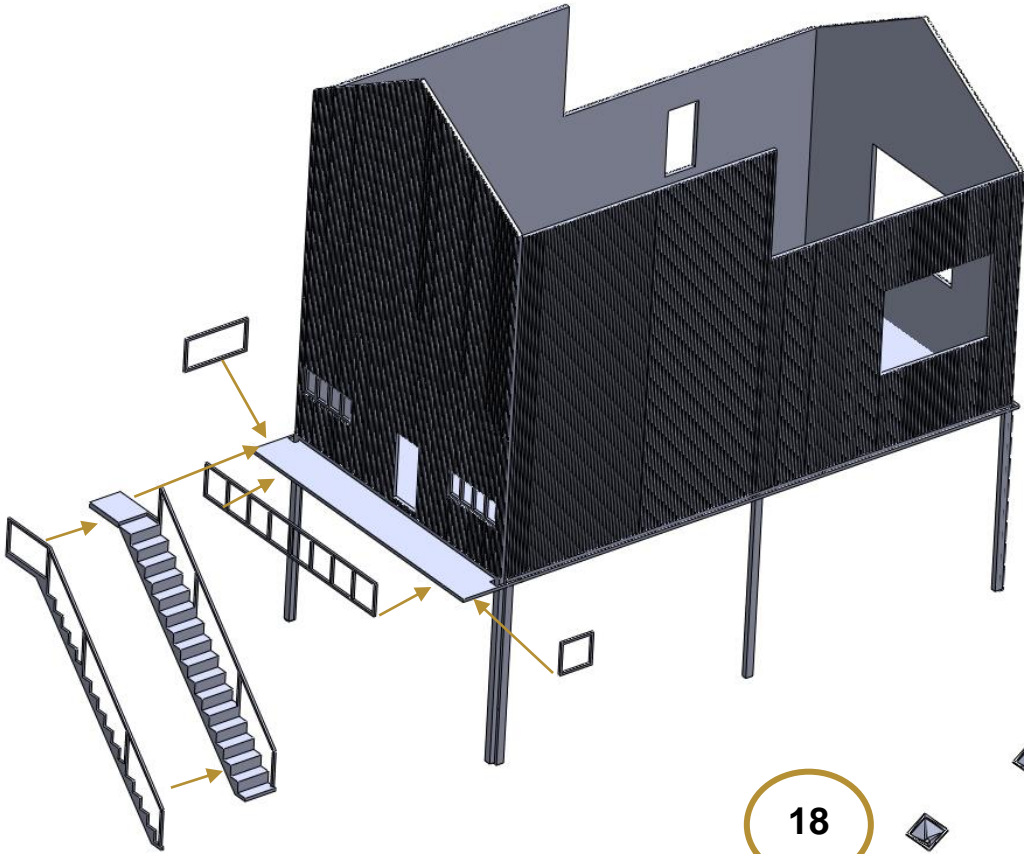
14



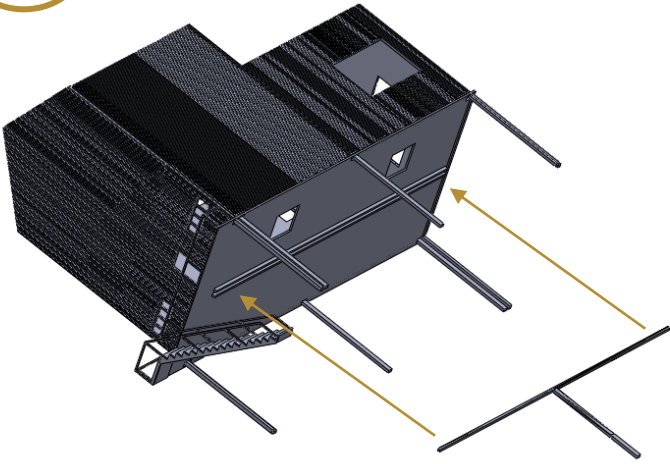
15



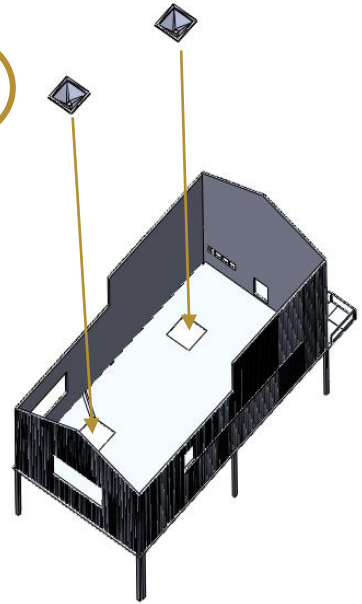
16



17

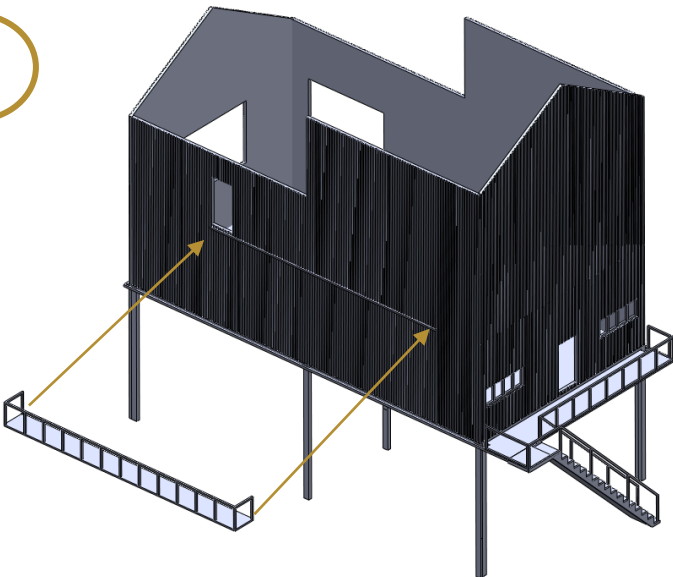


18

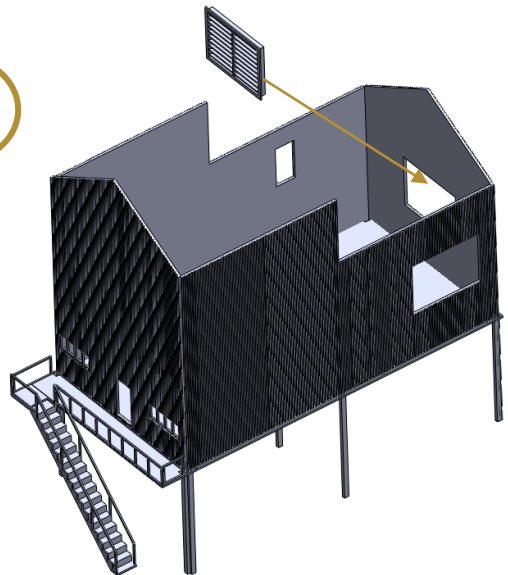


Insert vent or use side hopper (see step 4)

19

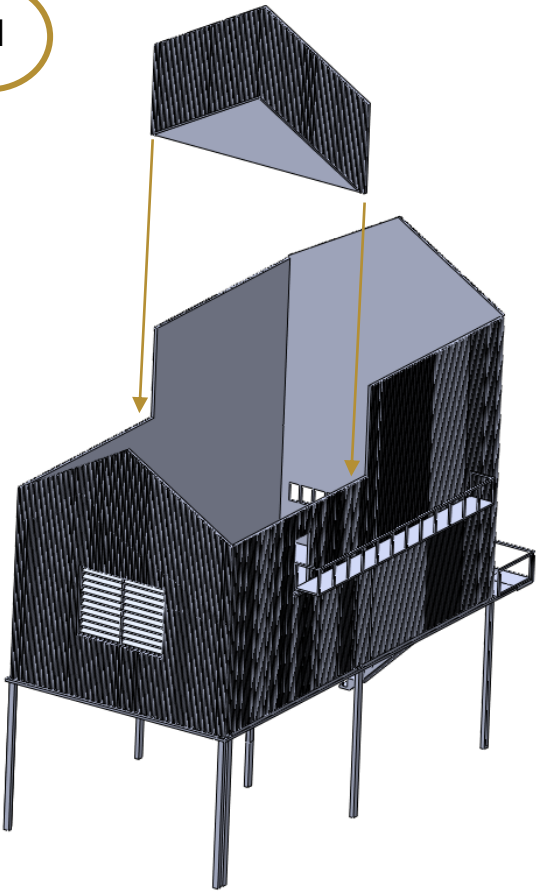


20

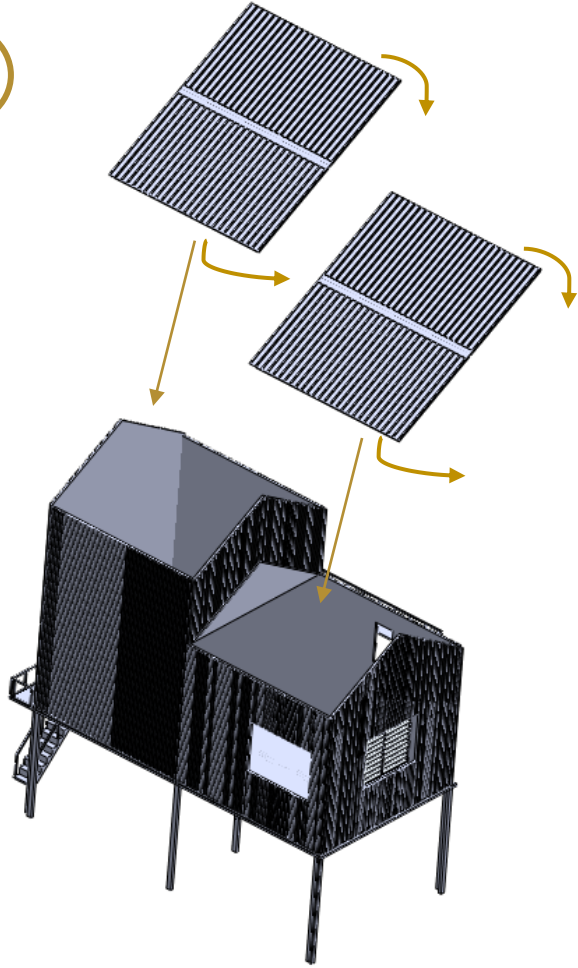


Leave openings clear if using conveyors

21

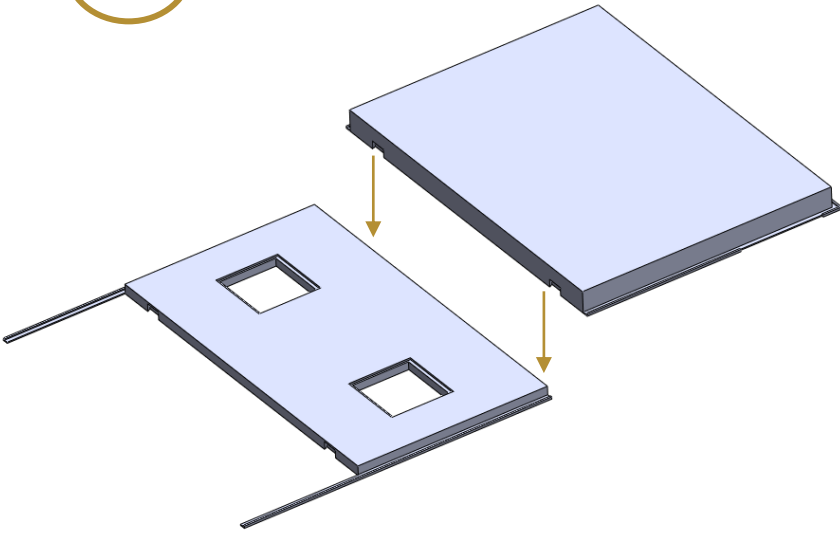


22

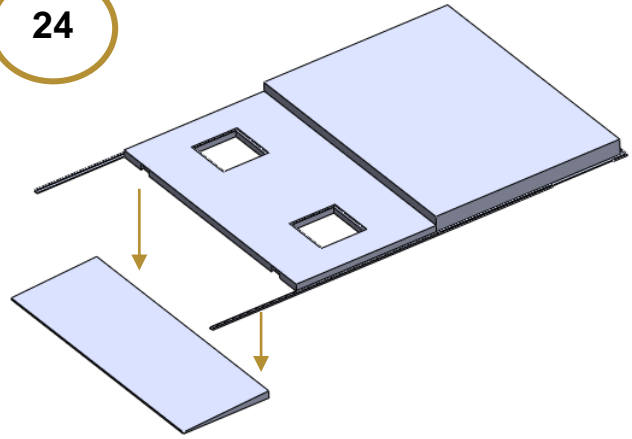


23

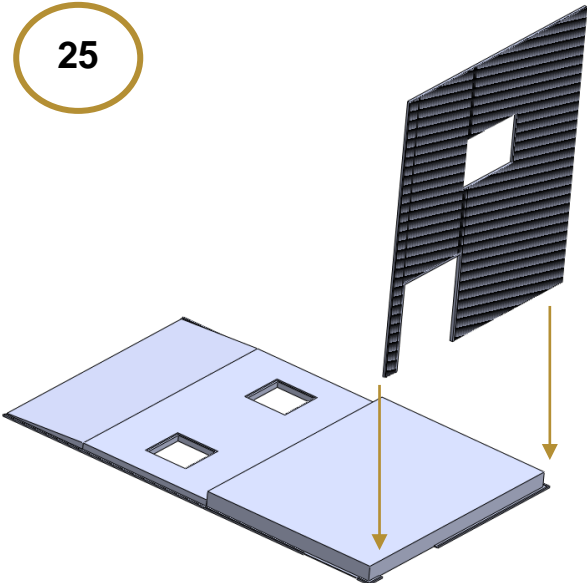
Main Building



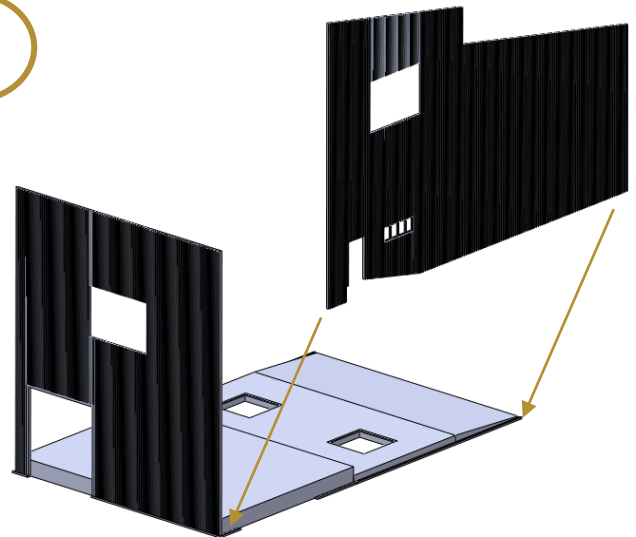
24



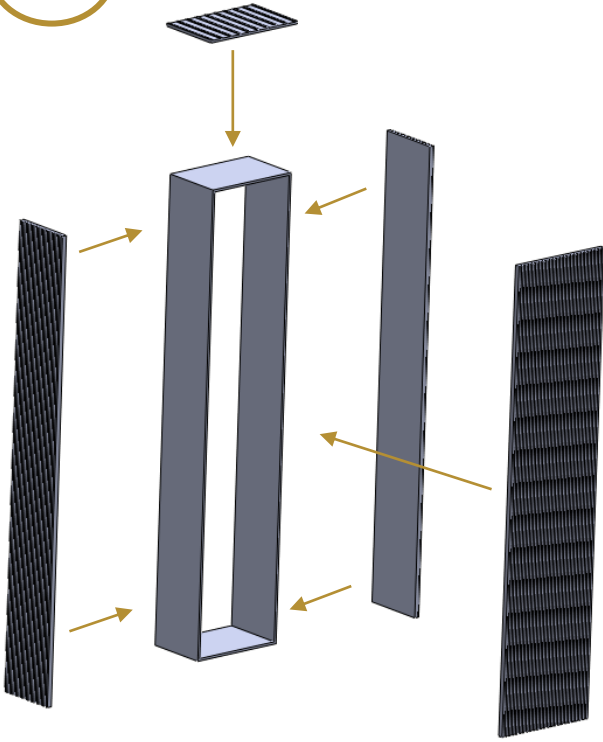
25



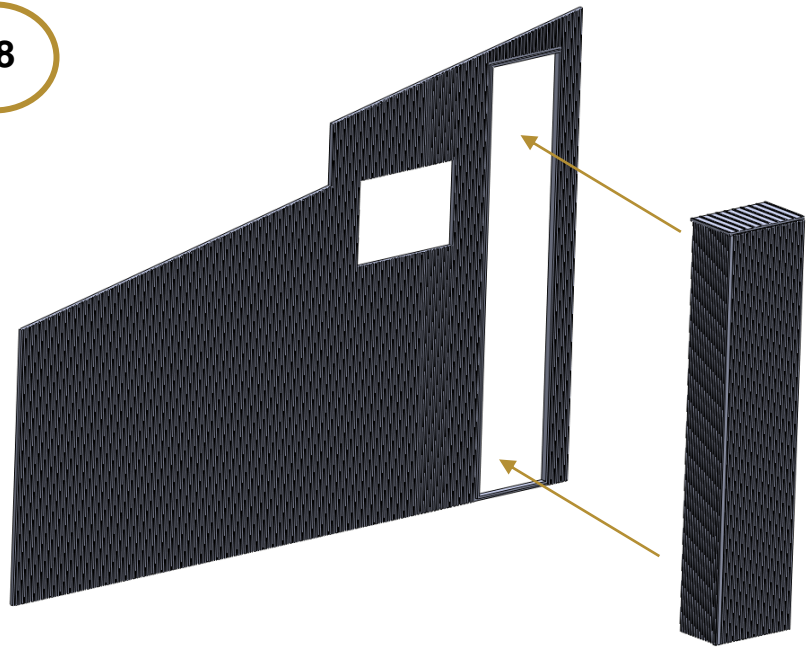
26



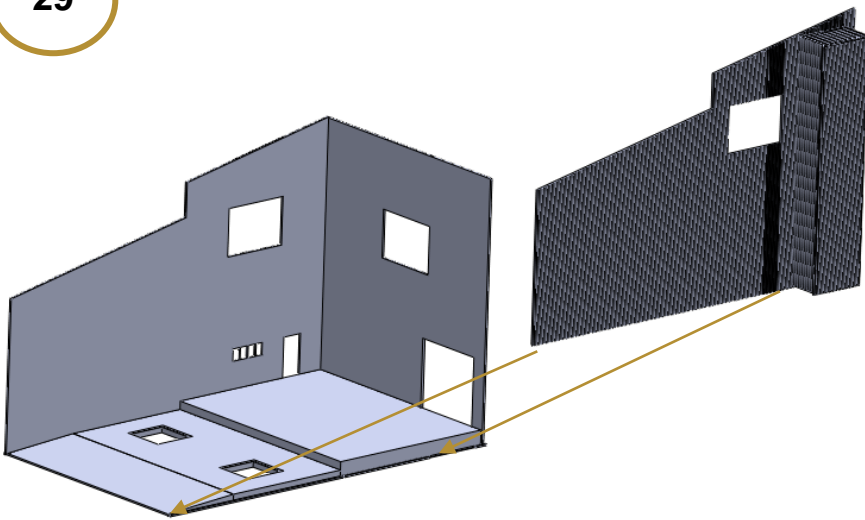
27



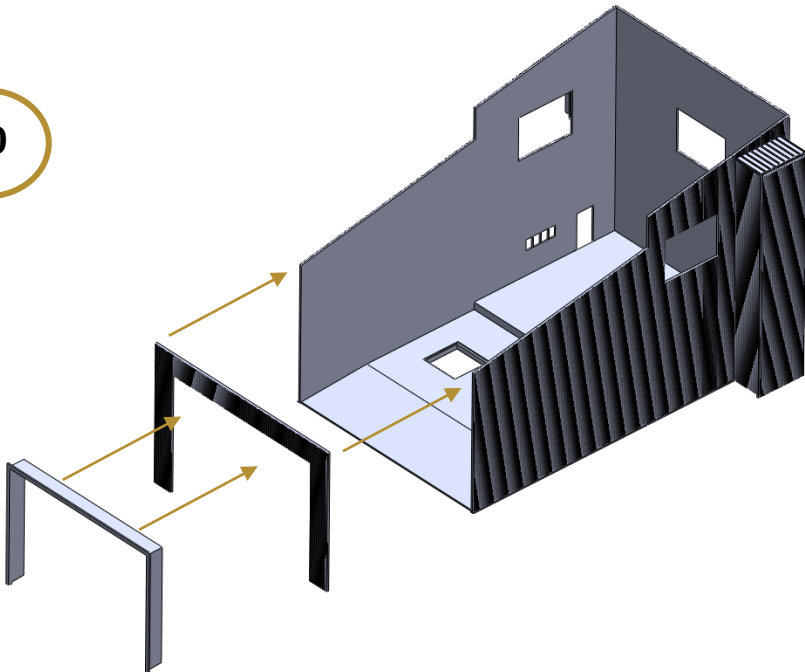
28



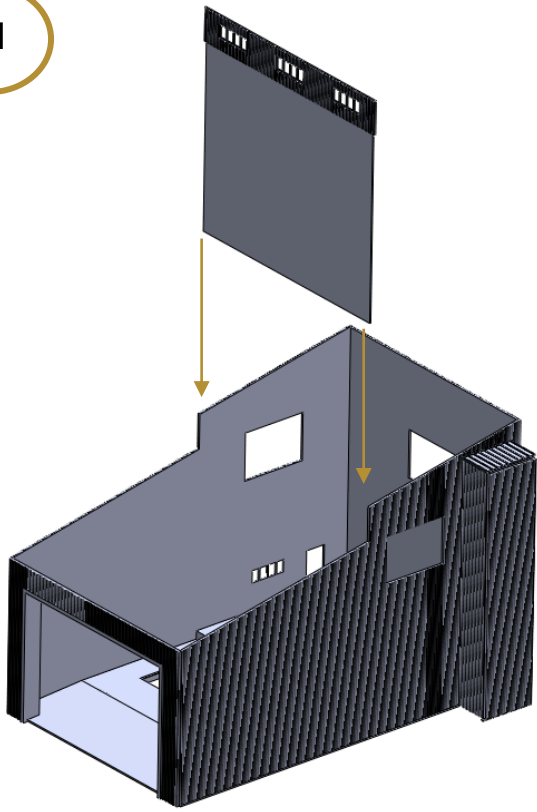
29



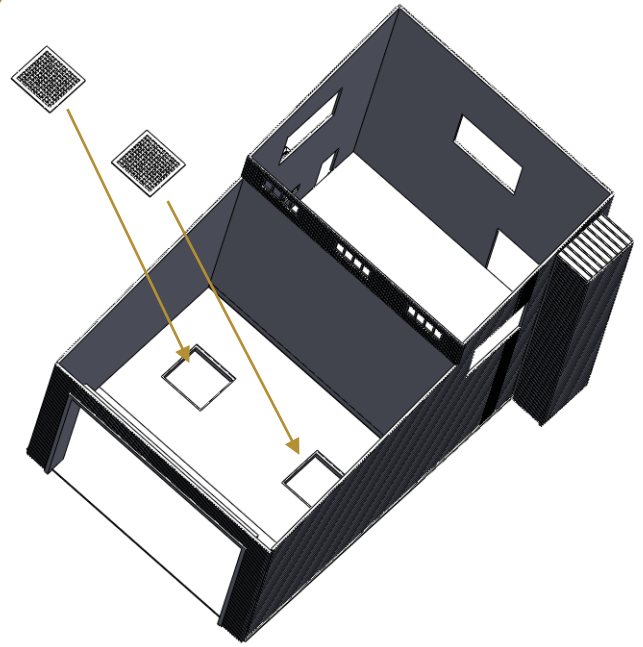
30



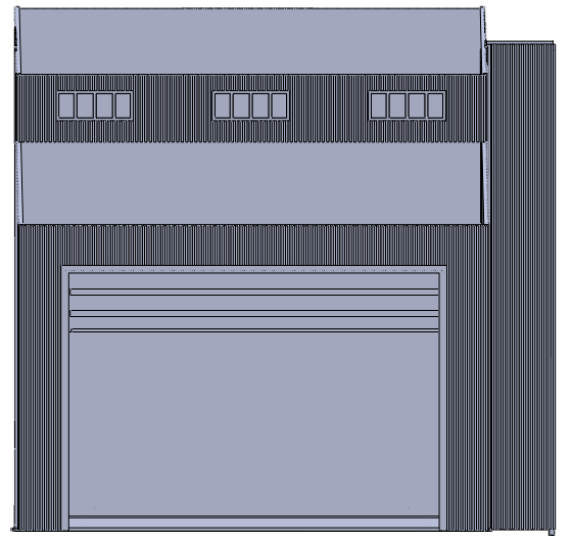
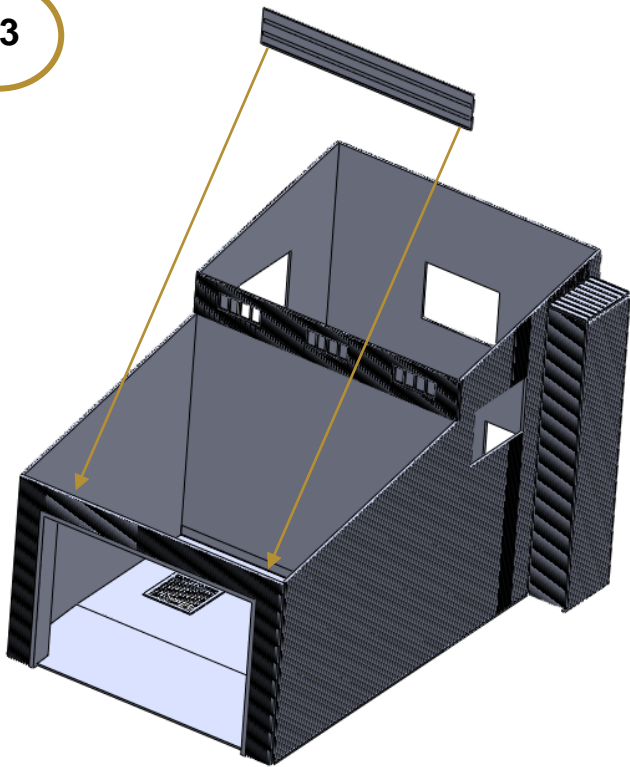
31



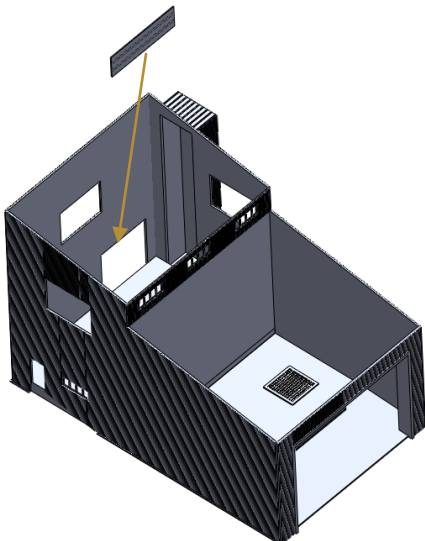
32



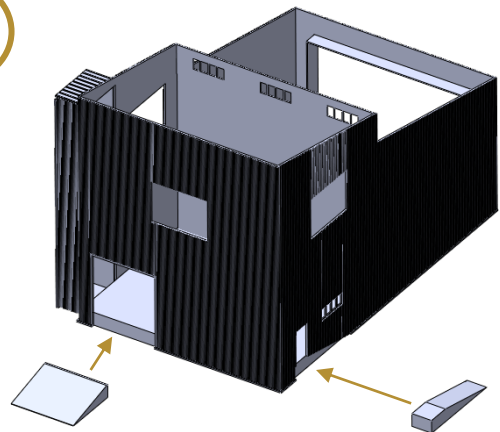
33



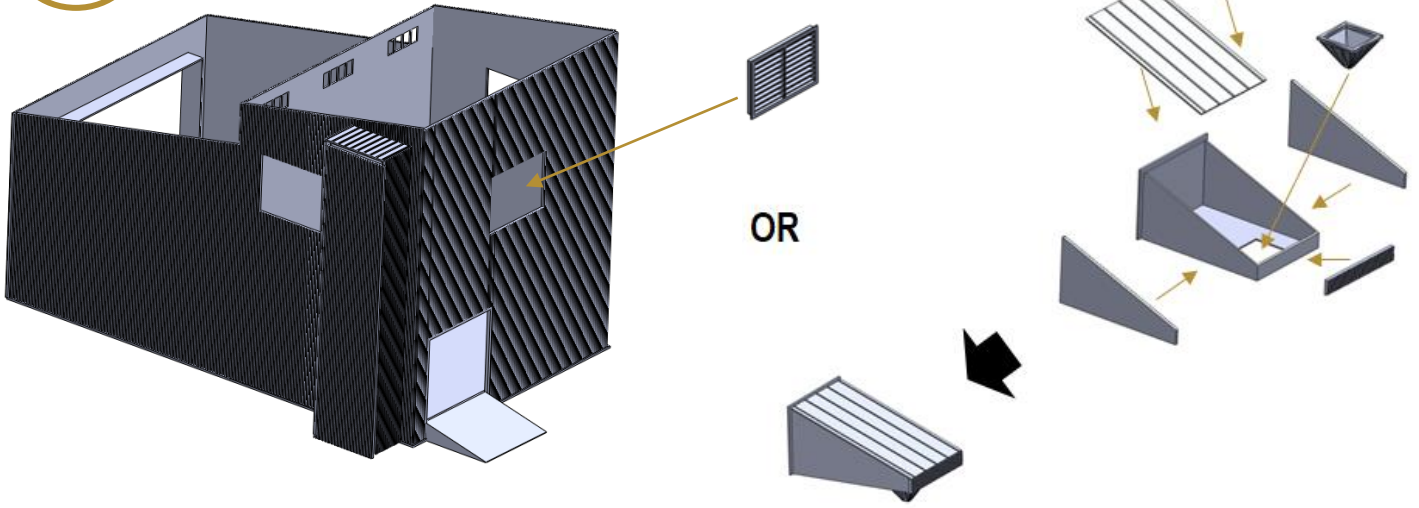
34



35

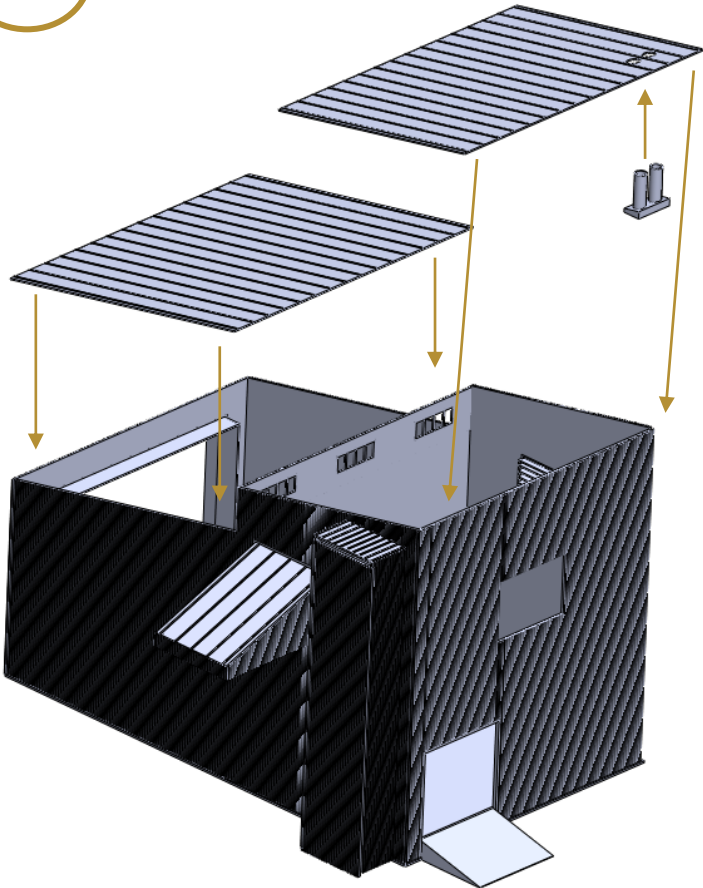


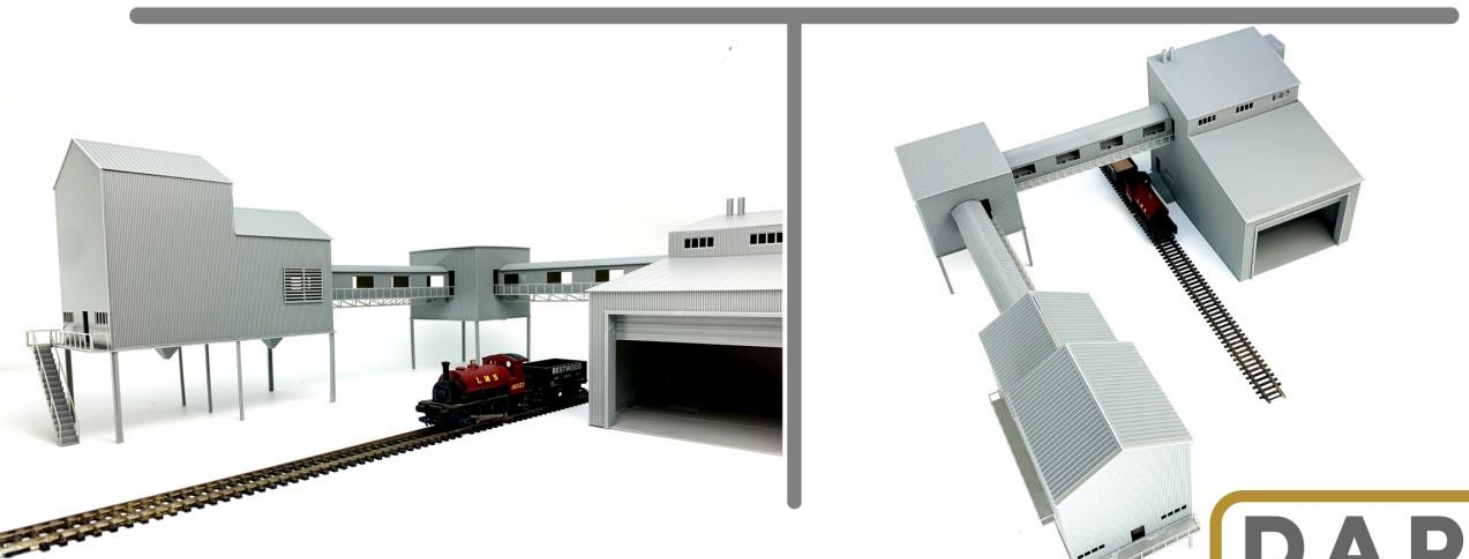
36



Leave openings clear if using conveyors

37





DAPR