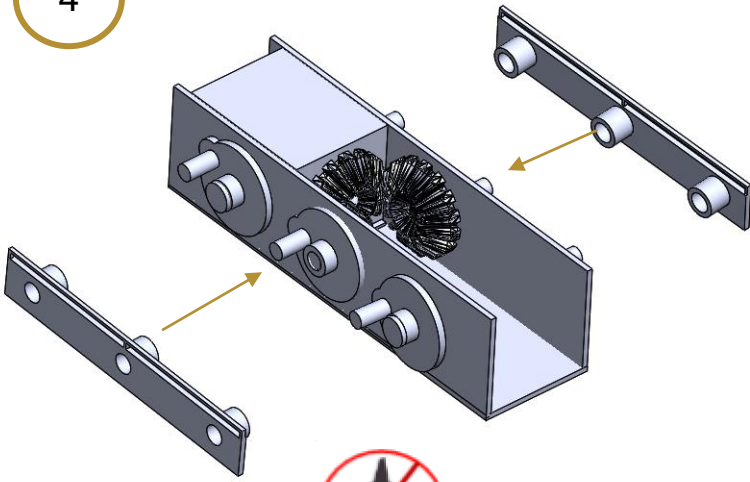
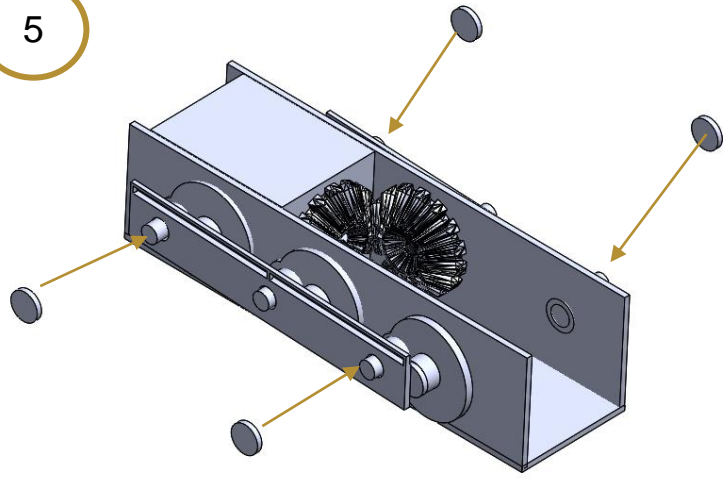


4

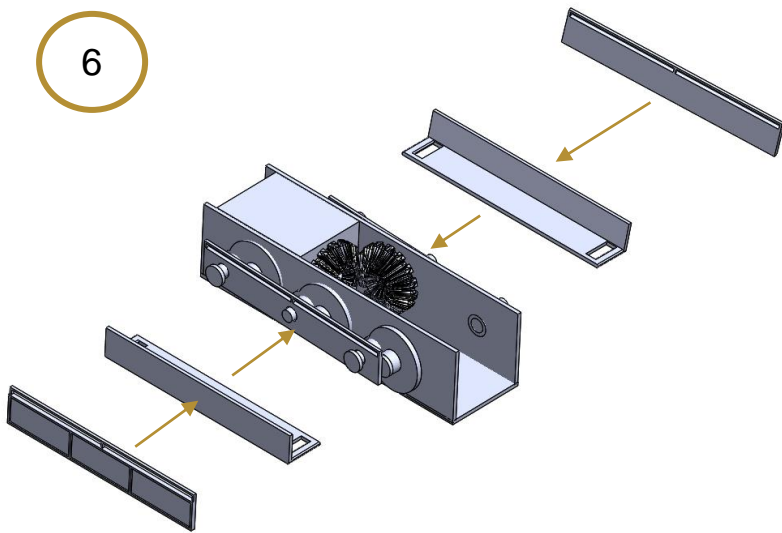


5

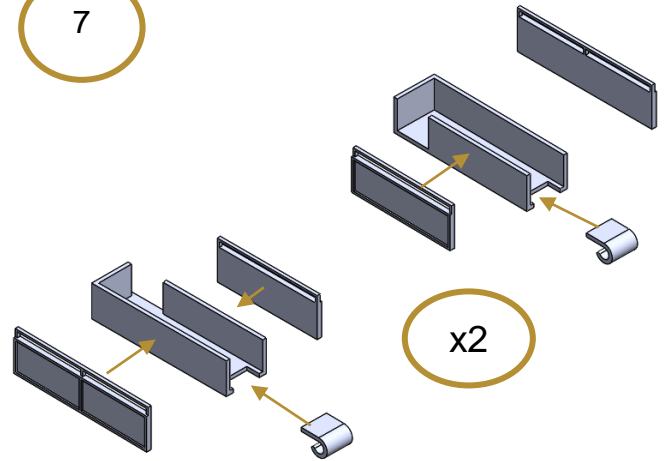


Use minimal glue to ensure mechanism is free to turn

6

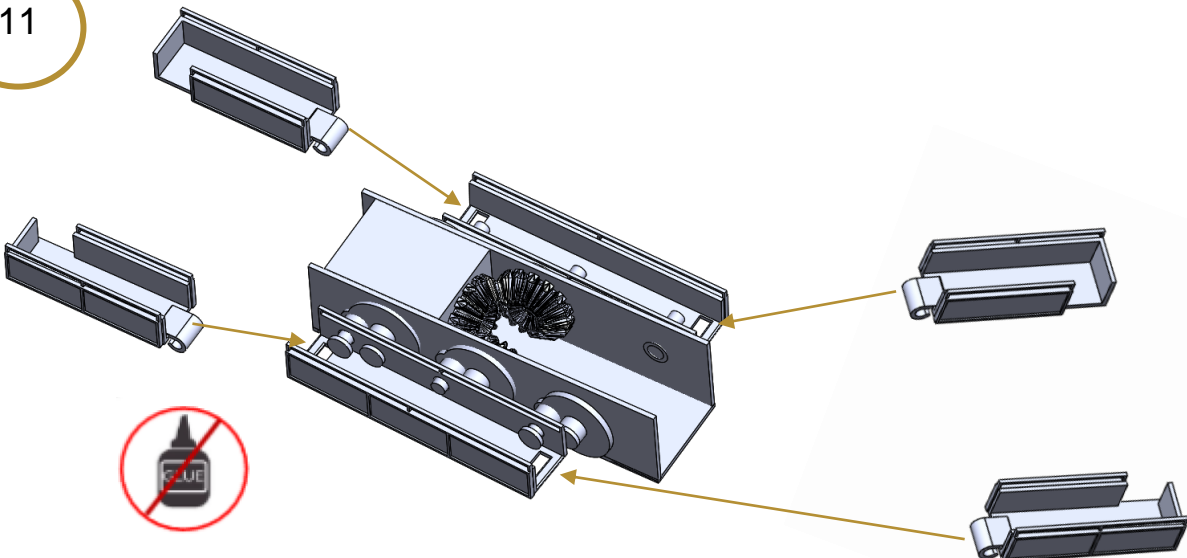


7

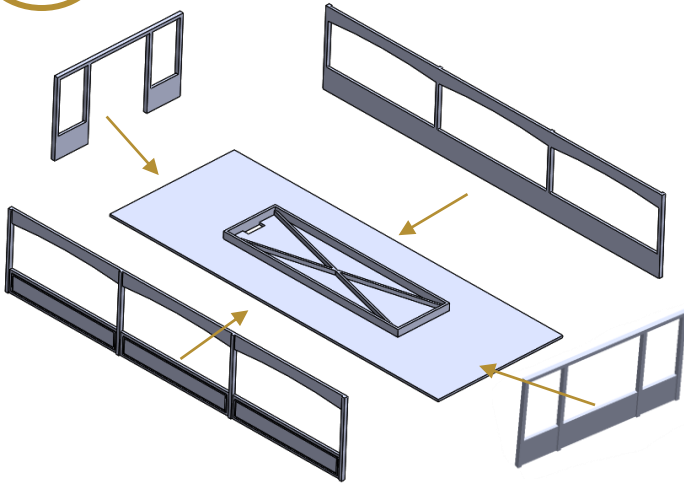


x2

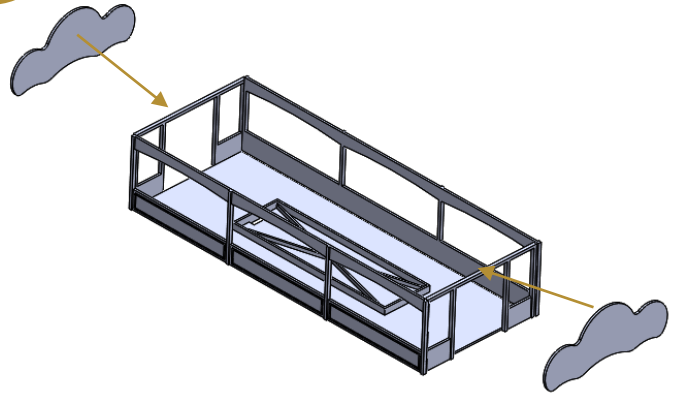
11



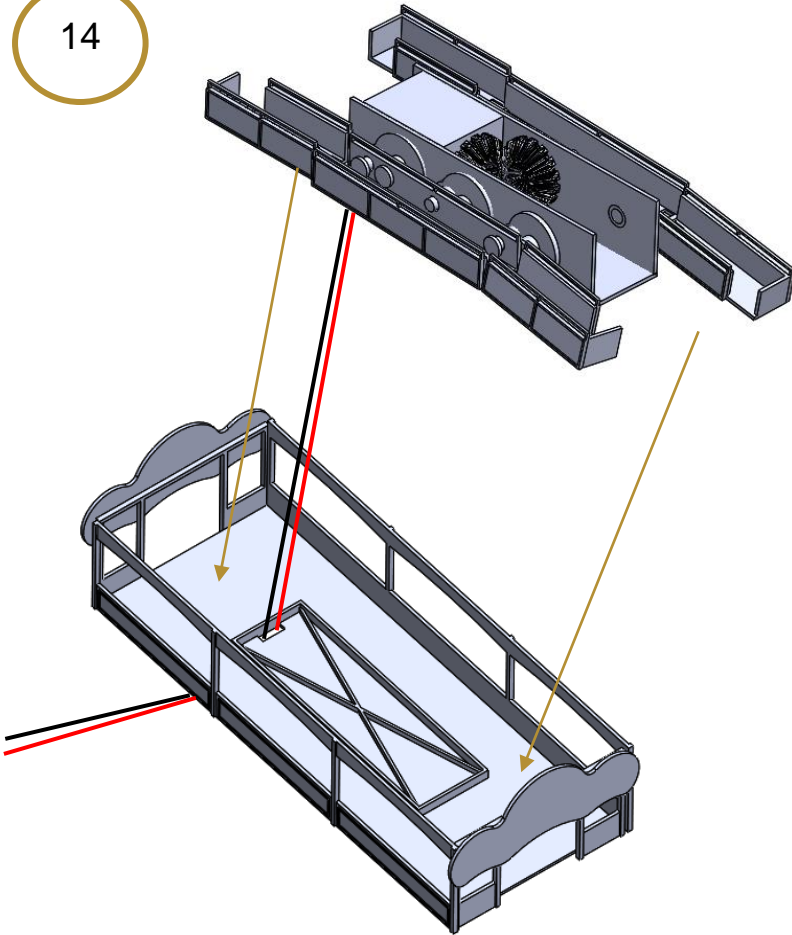
12



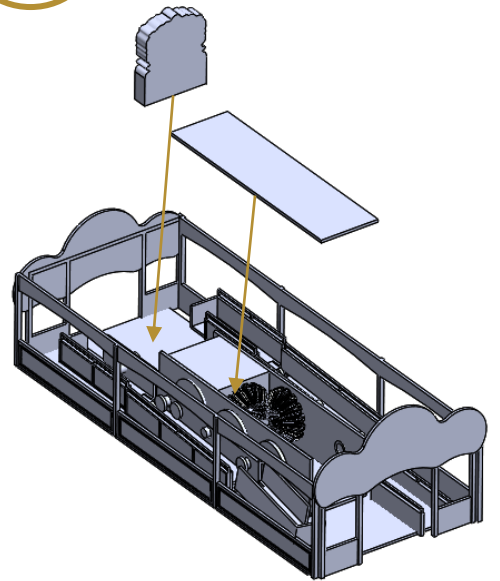
13

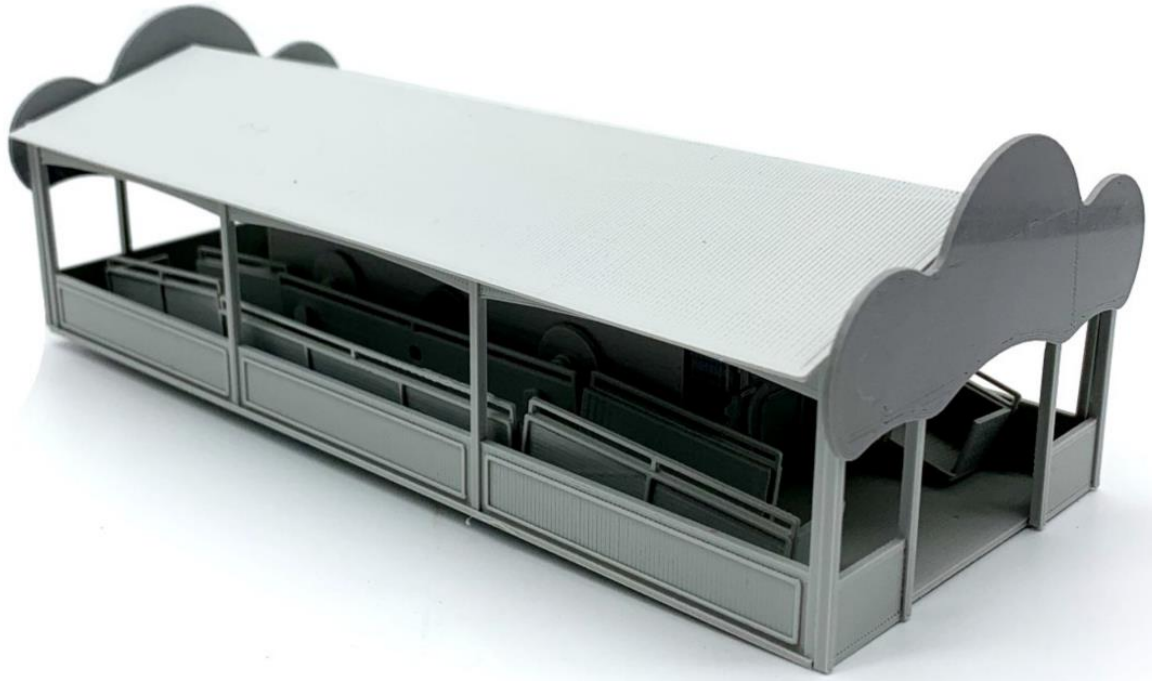


14



15





DAPR