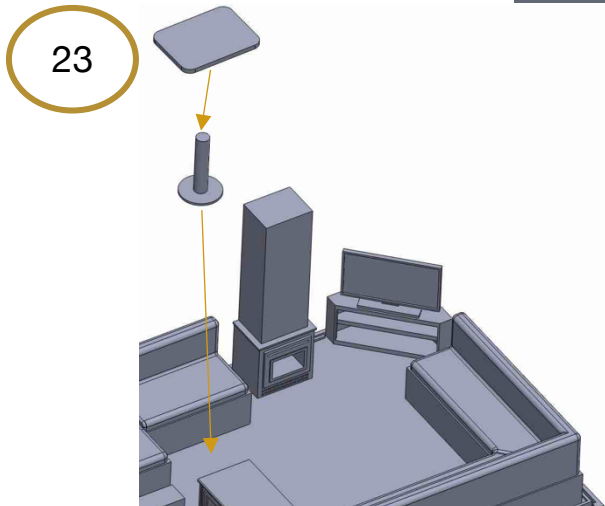
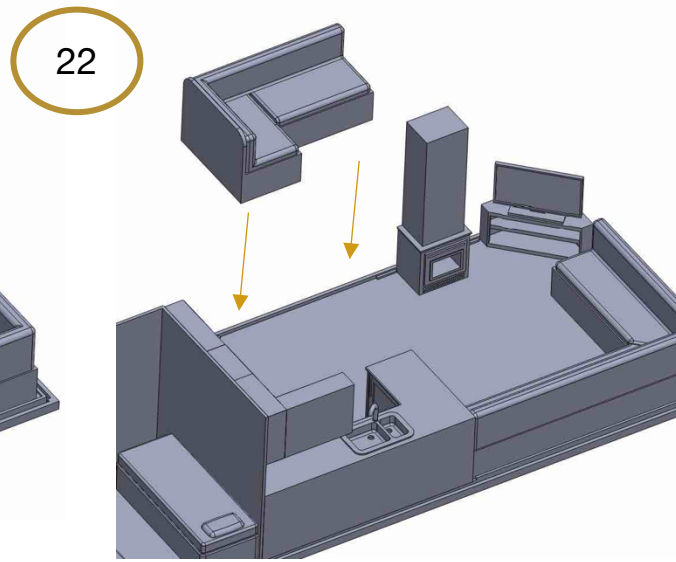
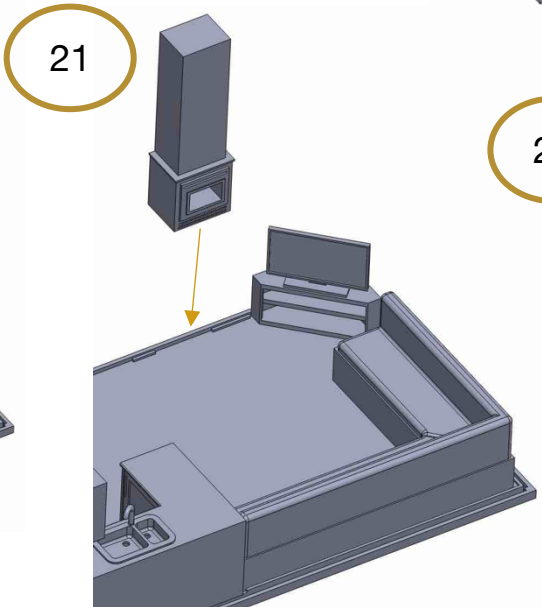
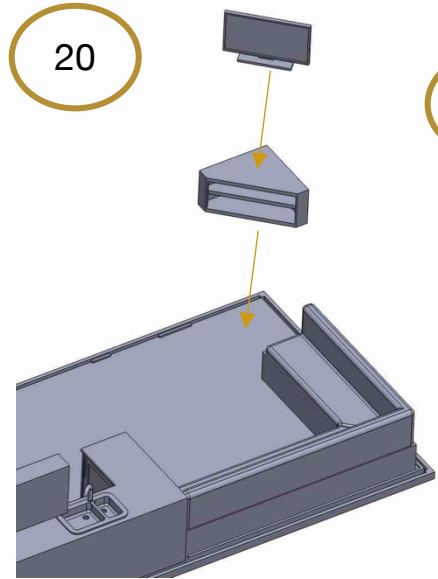
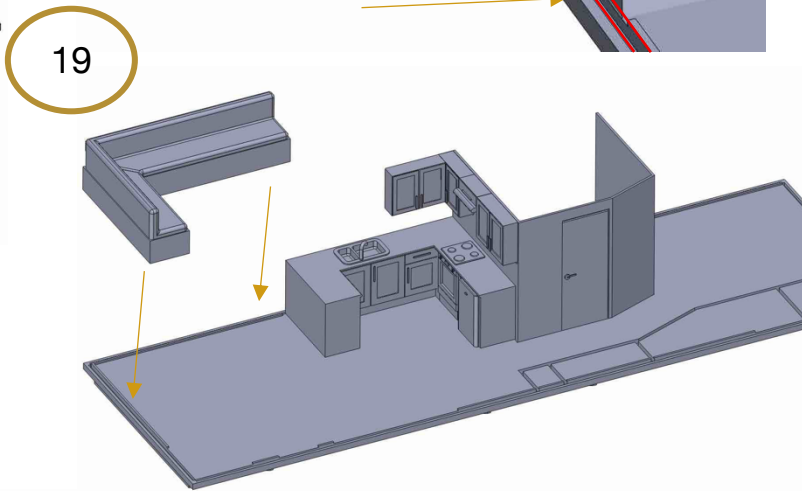
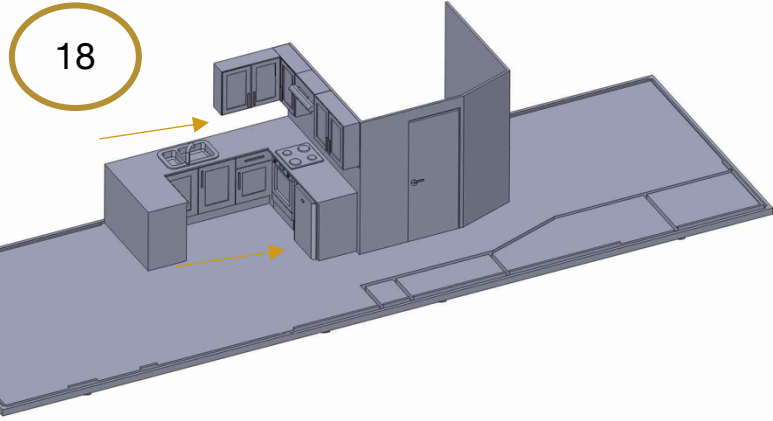
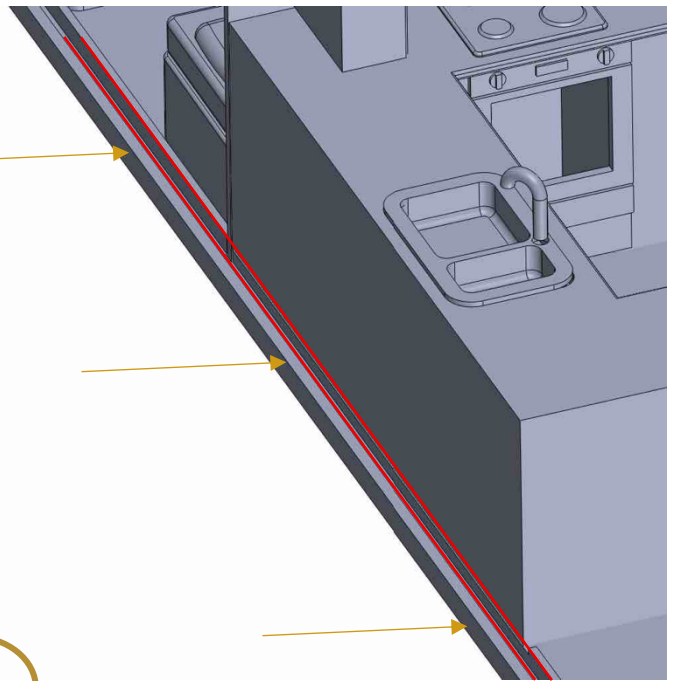
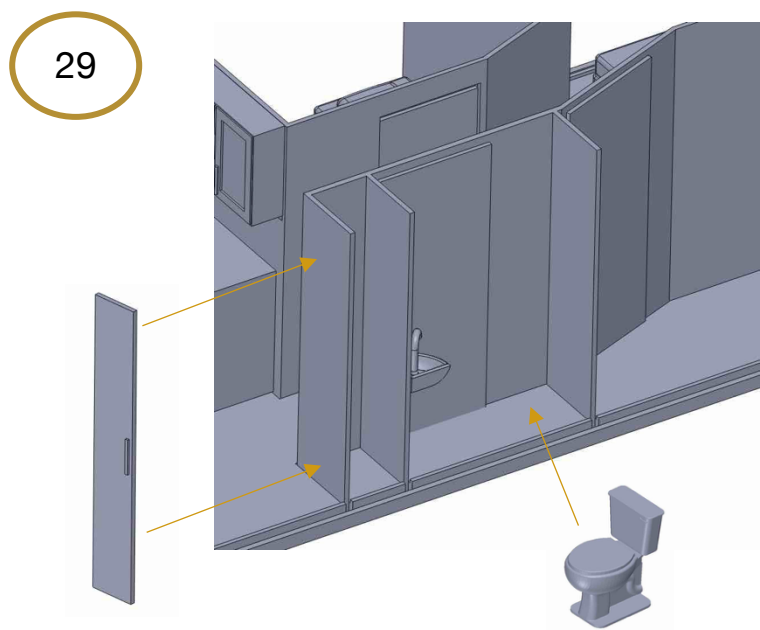
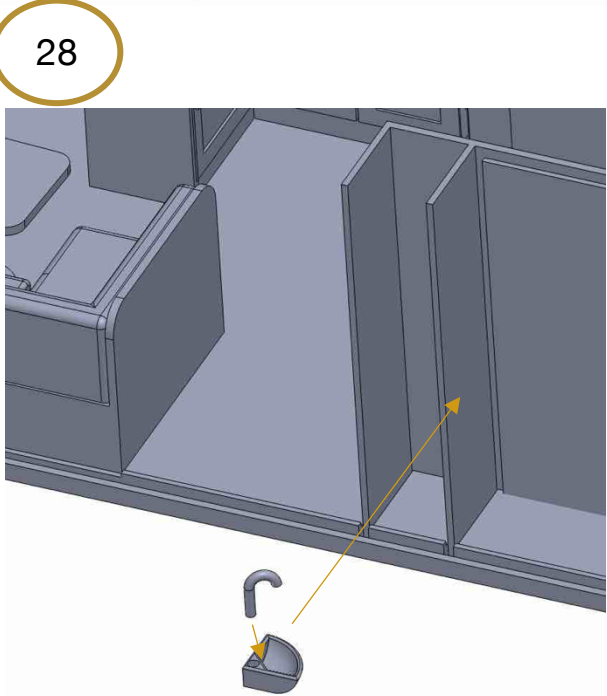
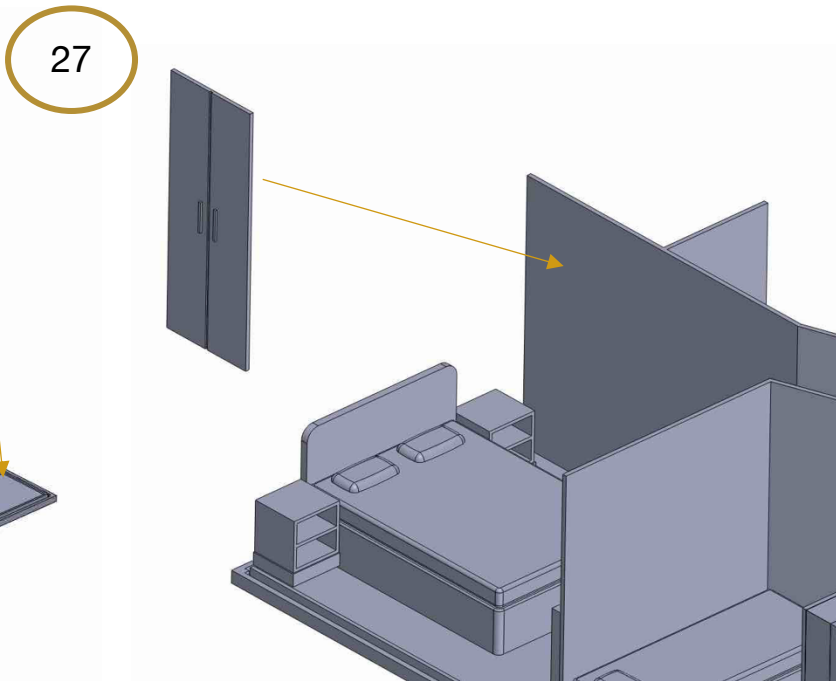
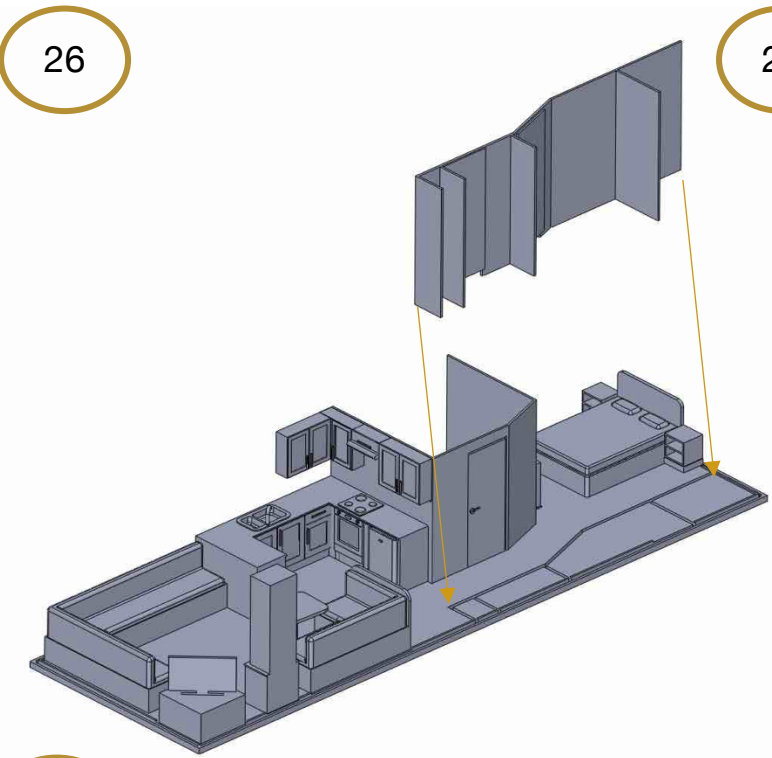
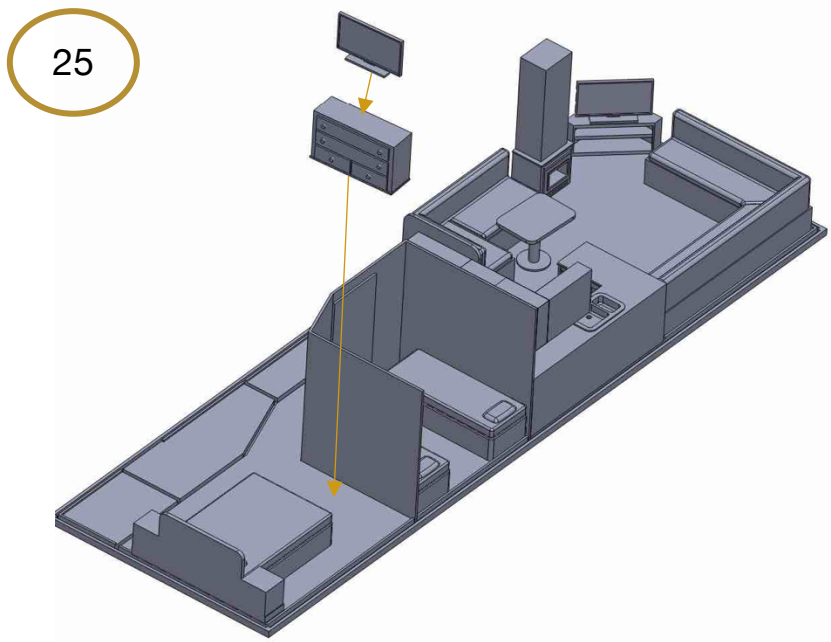
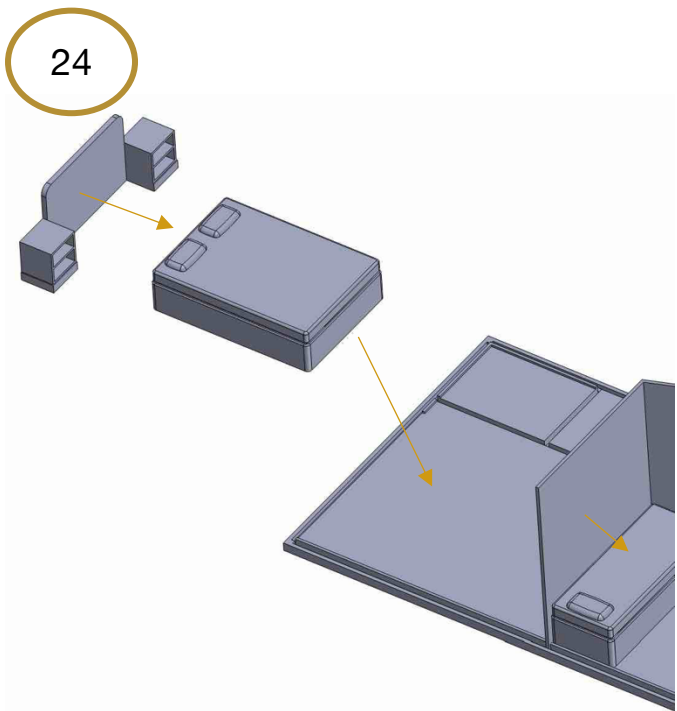


**Please Note**

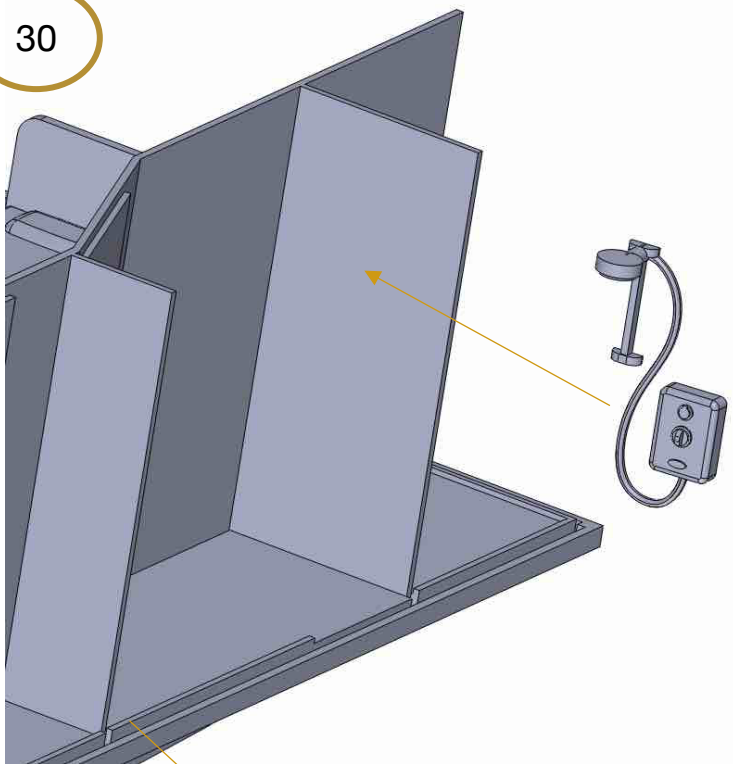
Ensure all internal wall sections and furniture do not overlap the outside channel shown here, as this will prevent the external walls fitting properly.

Trial fit all walls and furniture before fixing.

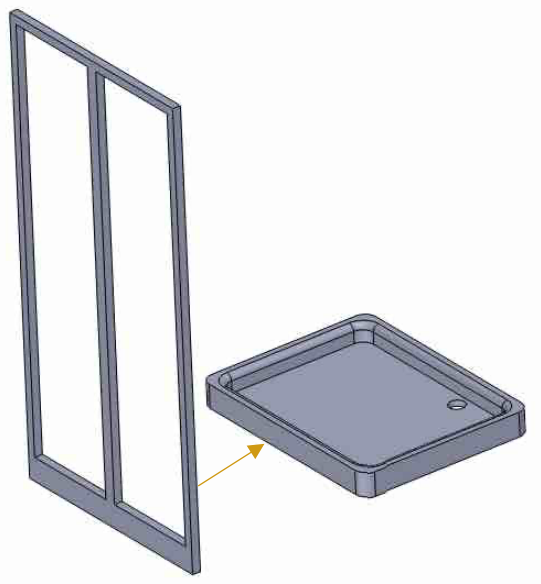




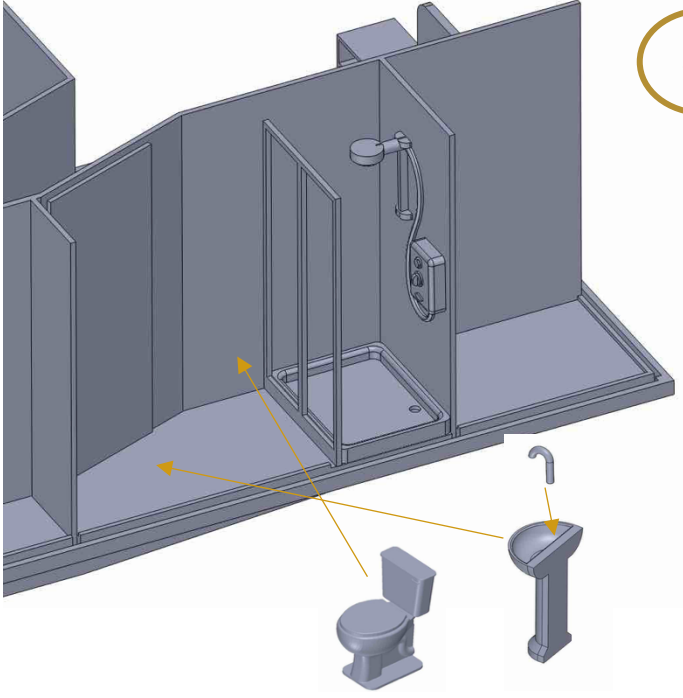
30



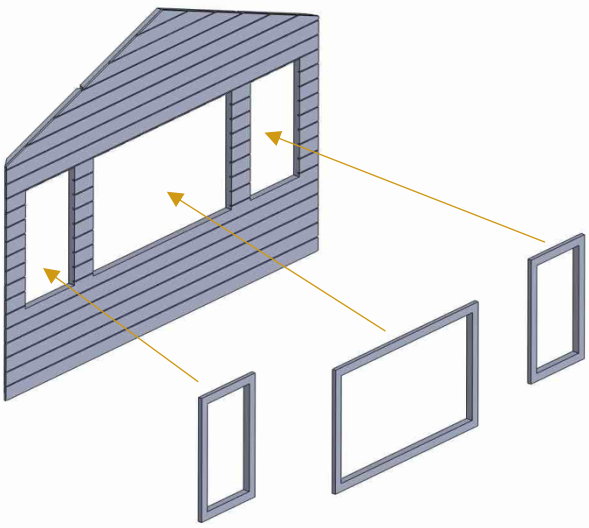
31



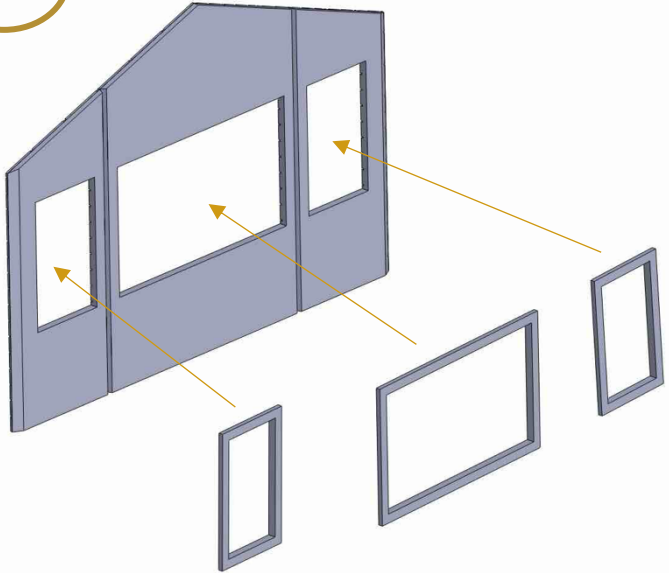
32



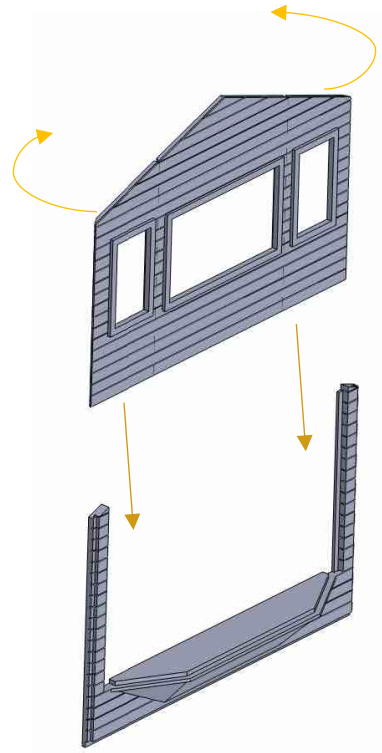
33



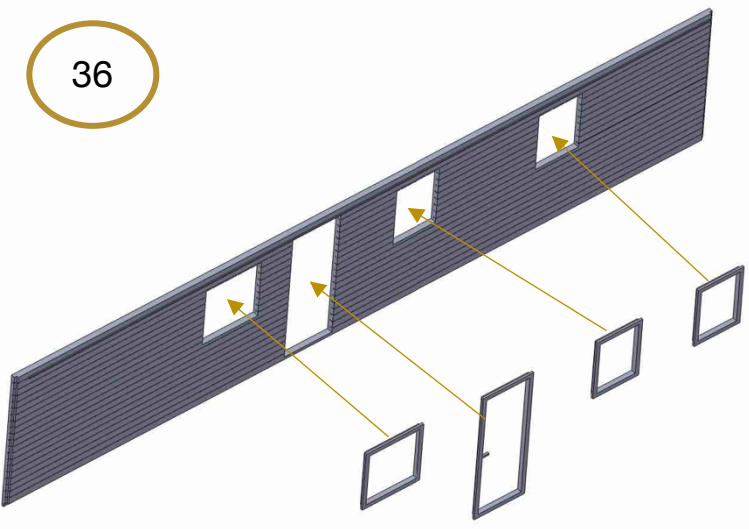
34



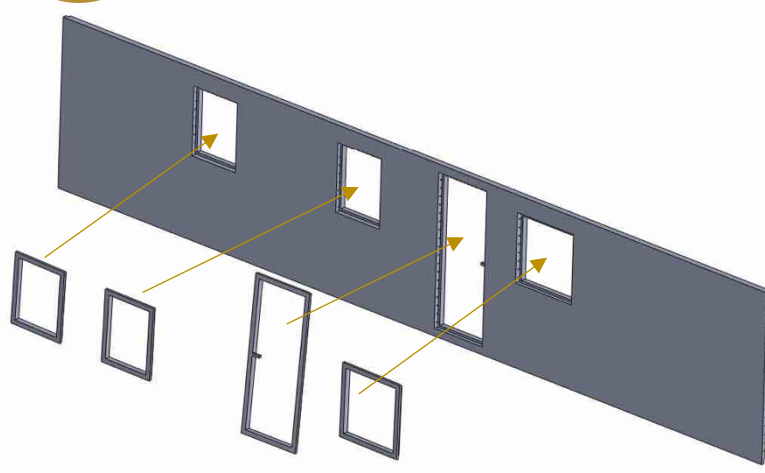
35



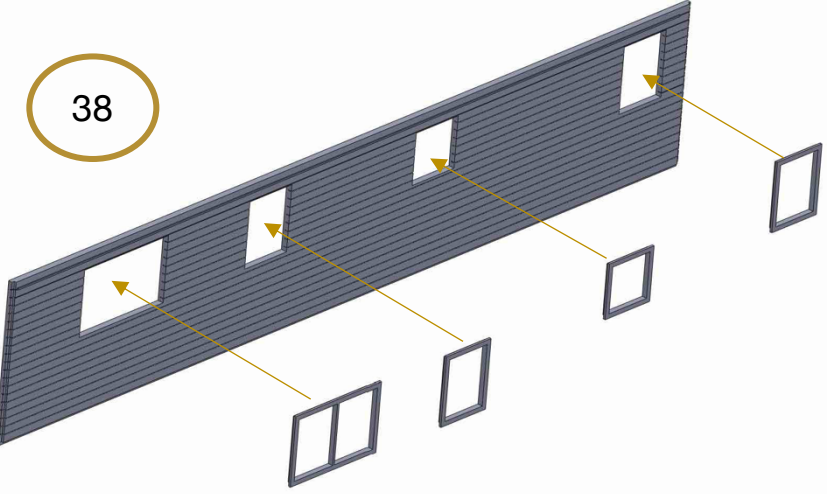
36



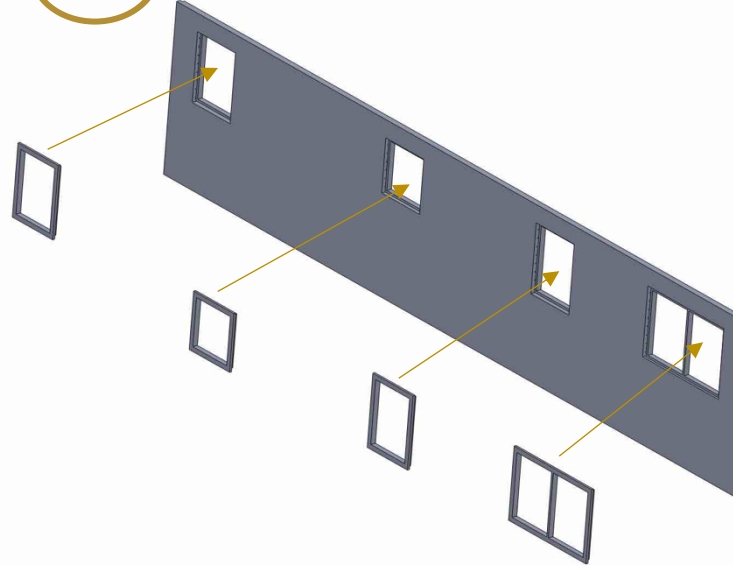
37



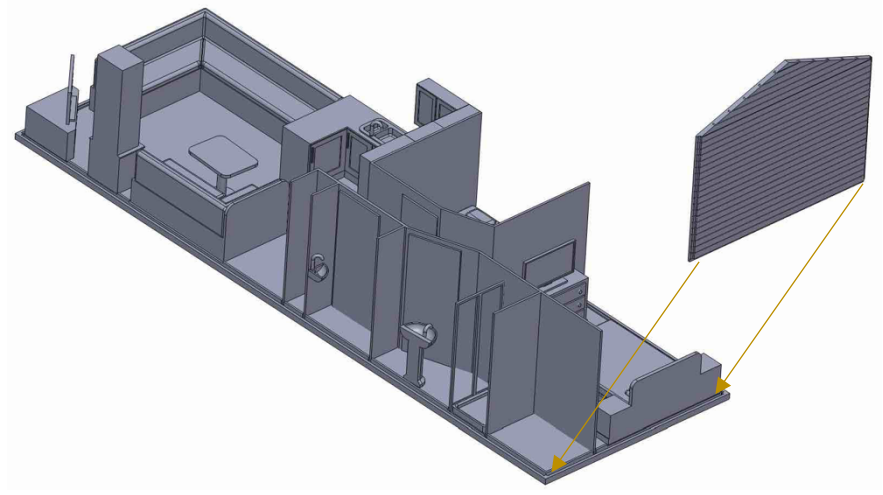
38



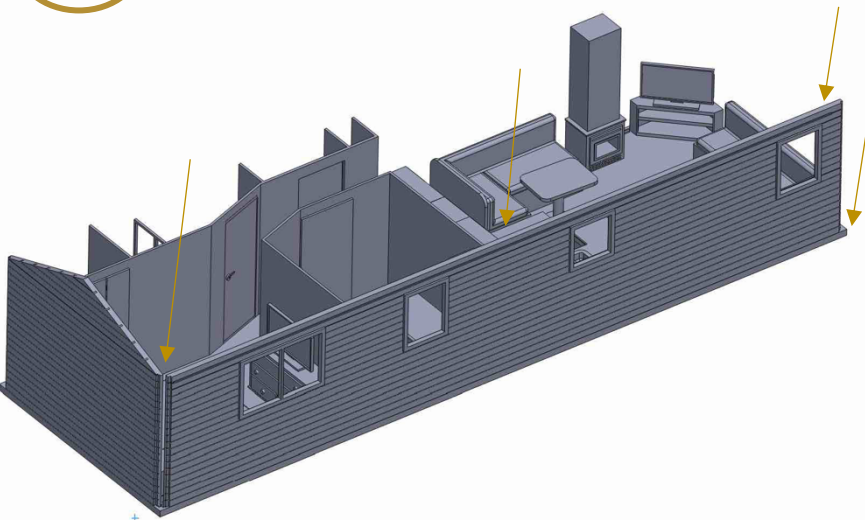
39



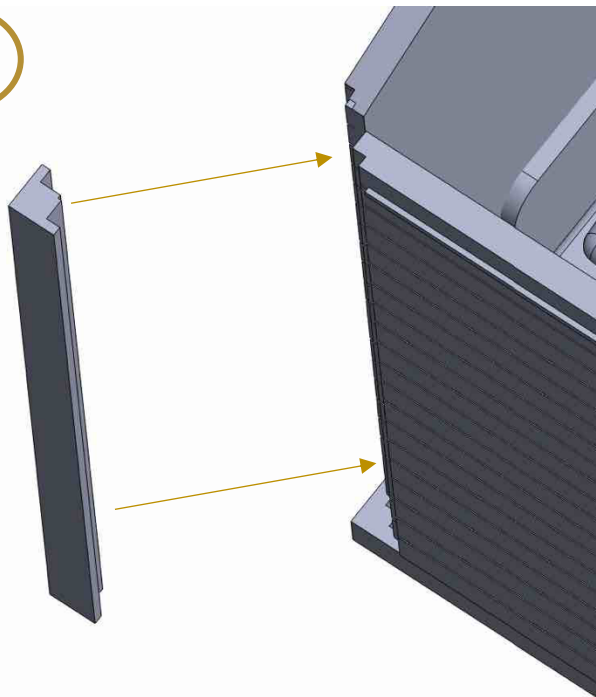
40



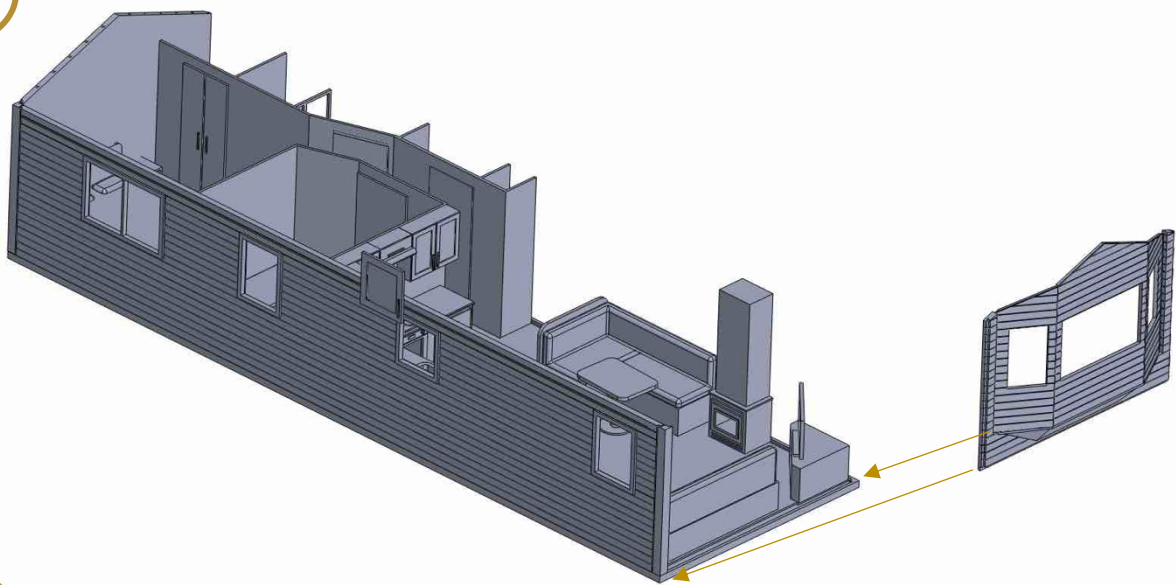
41



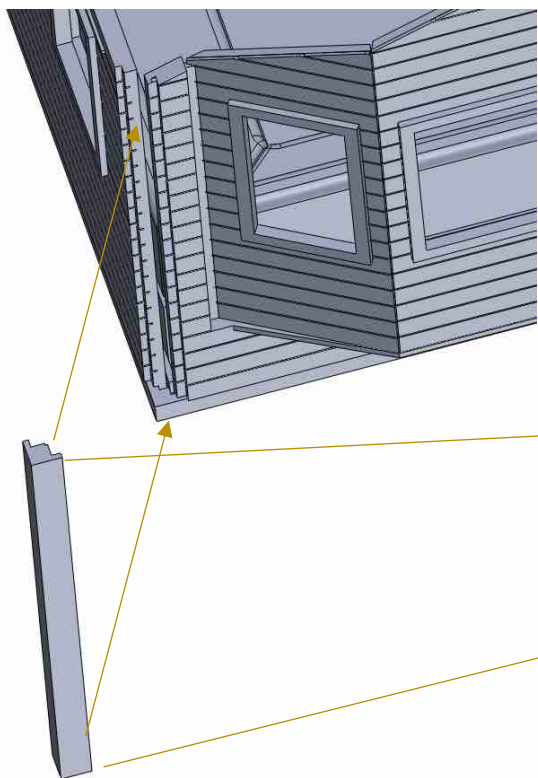
42



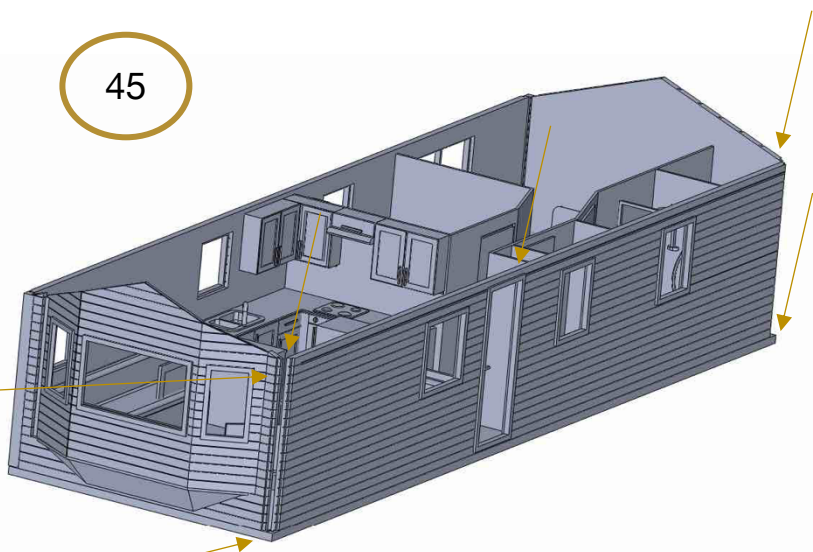
43



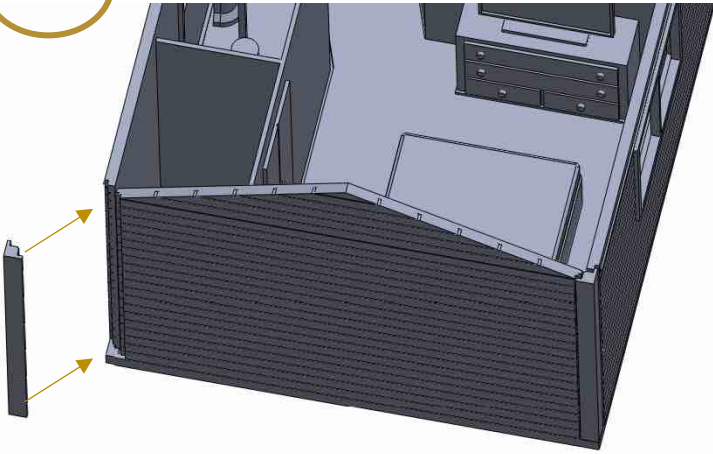
44



45

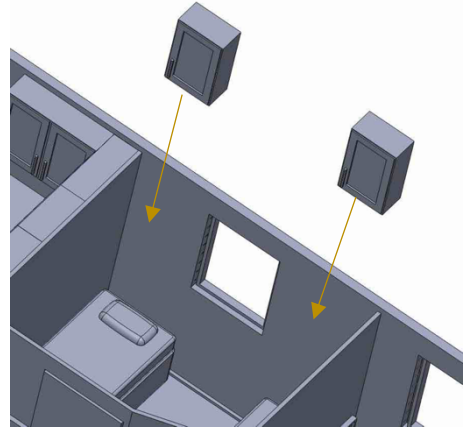


46

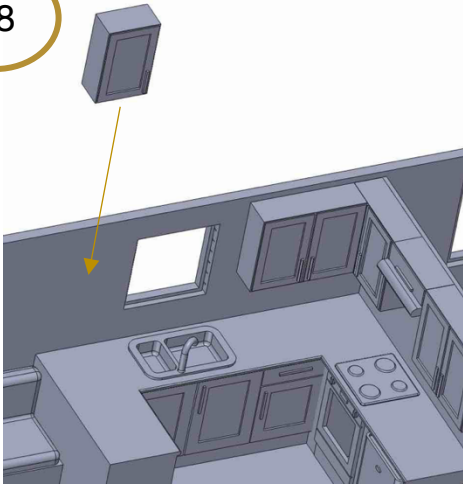


47

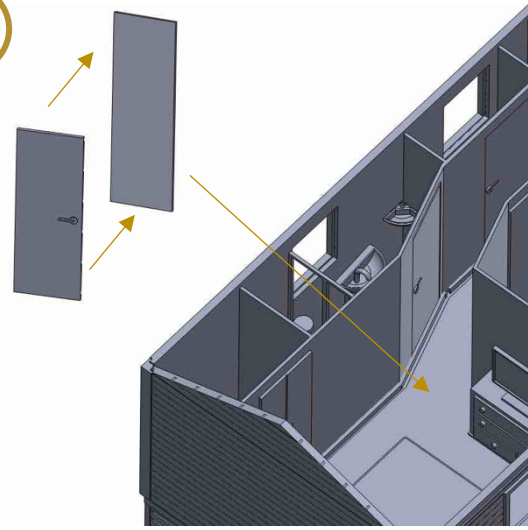
If building without interior, skip to step 49.



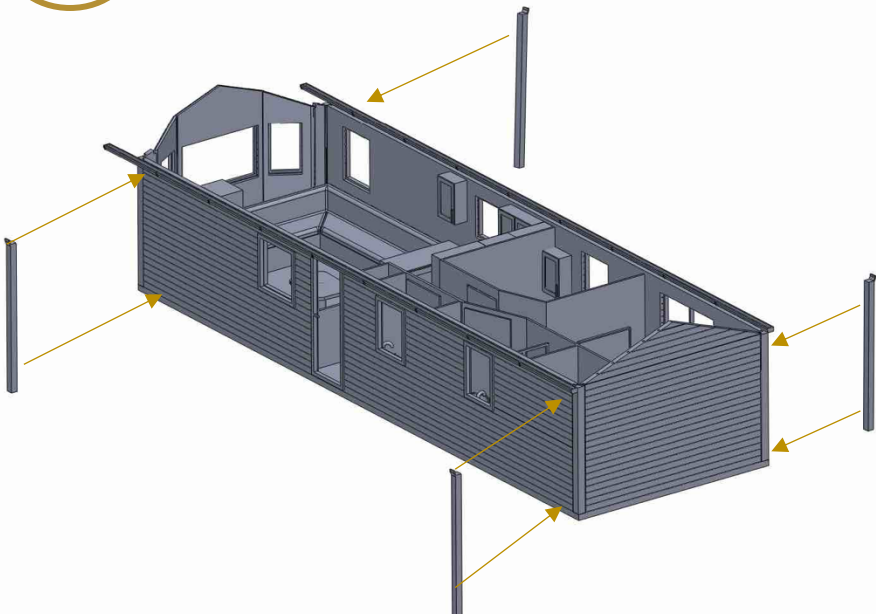
48



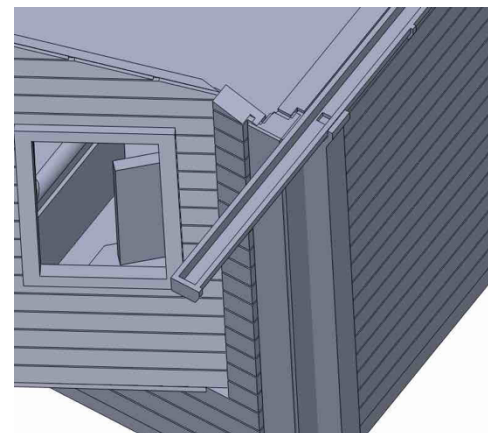
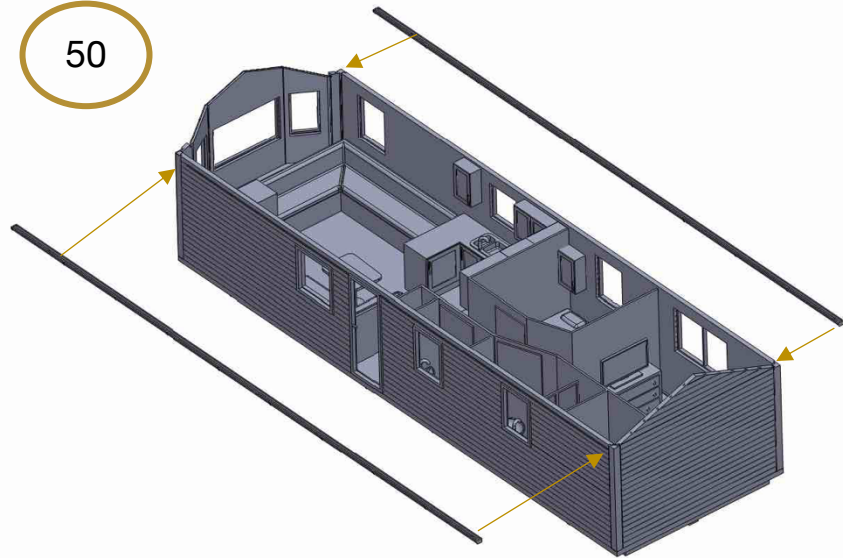
49



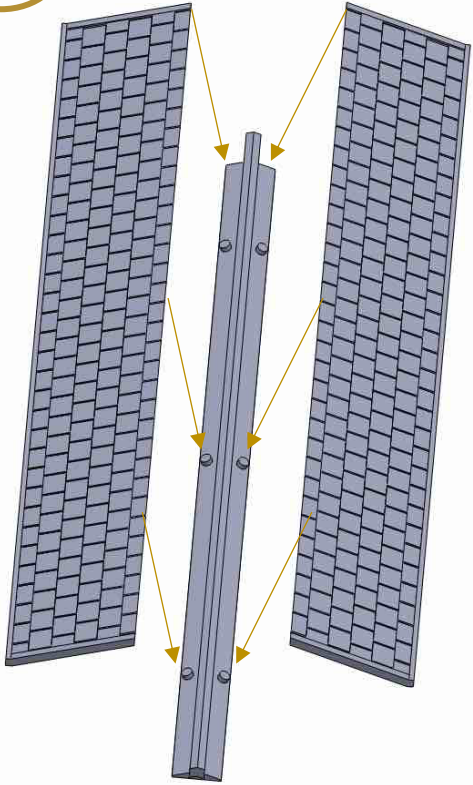
51



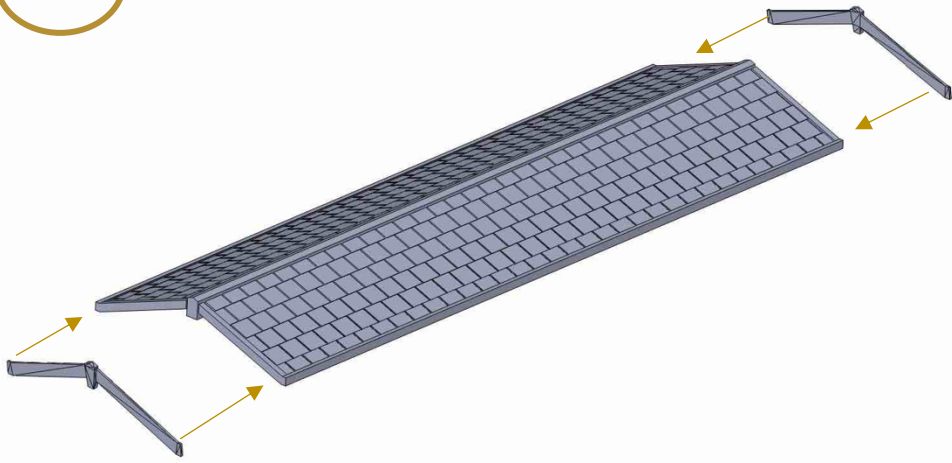
50



52



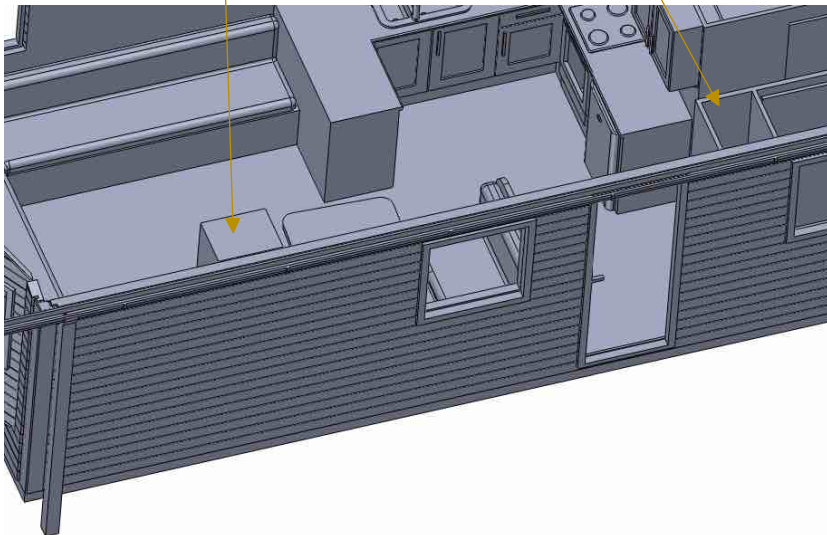
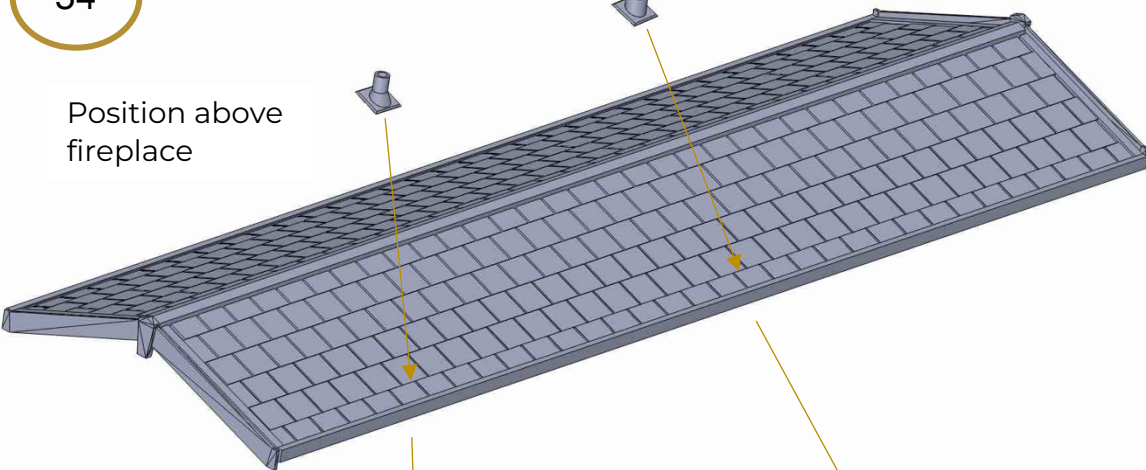
53



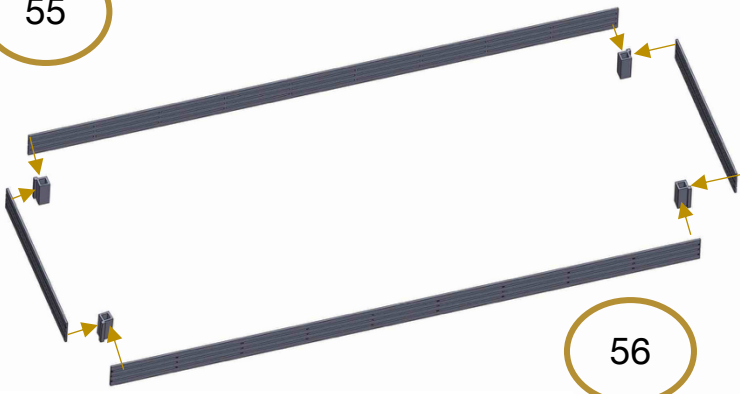
54

Position above cupboard

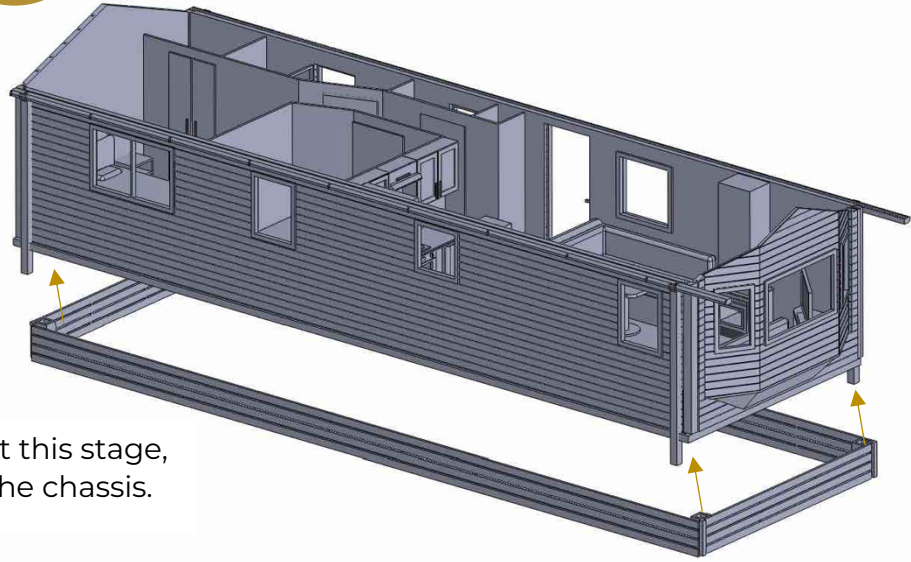
Position above fireplace



55

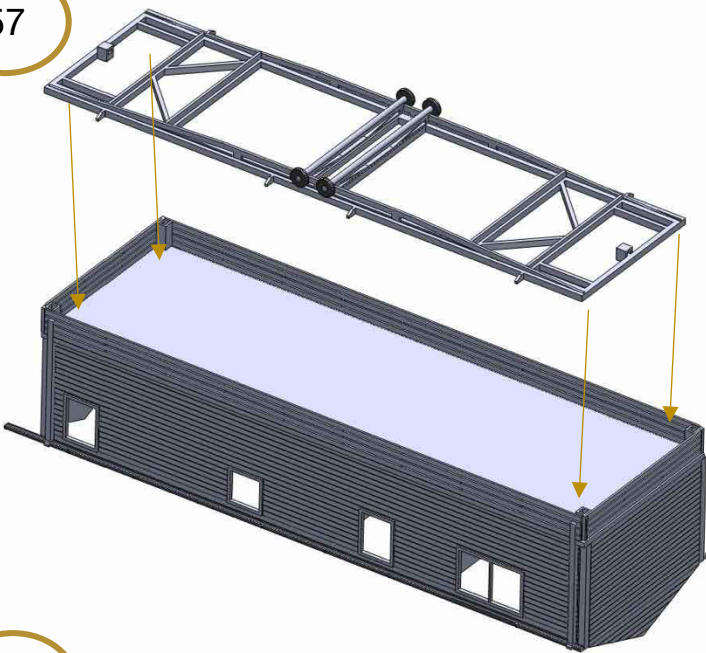


56

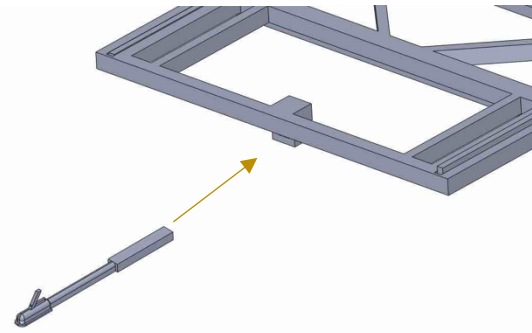


Do not glue skirt at this stage,  
it is used to align the chassis.

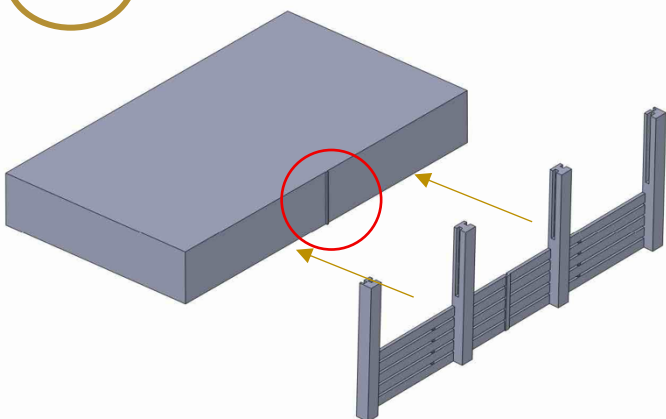
57



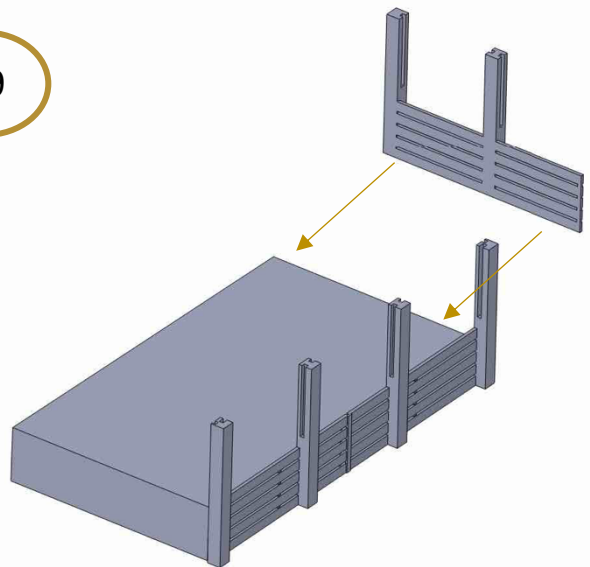
If the skirt is not being used, it  
can be removed at this stage, the  
towbar can then be inserted.

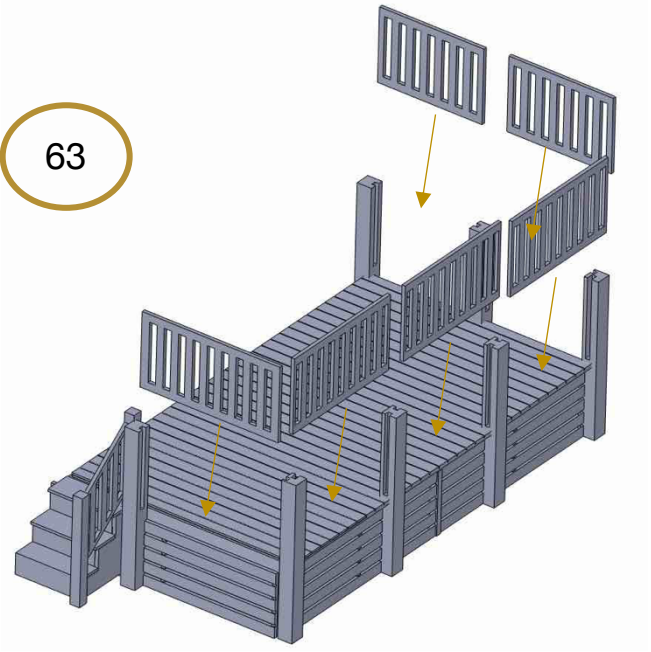
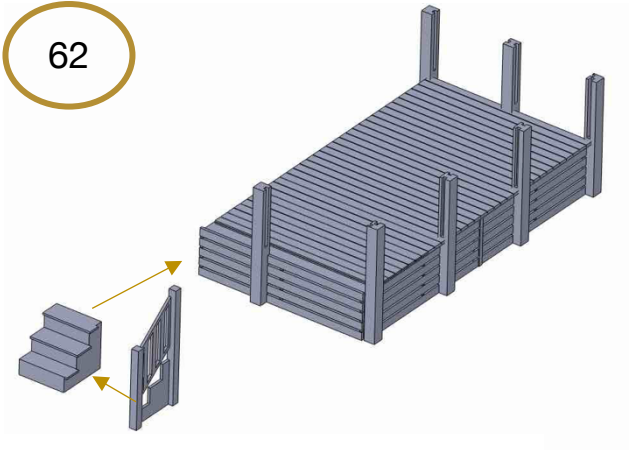
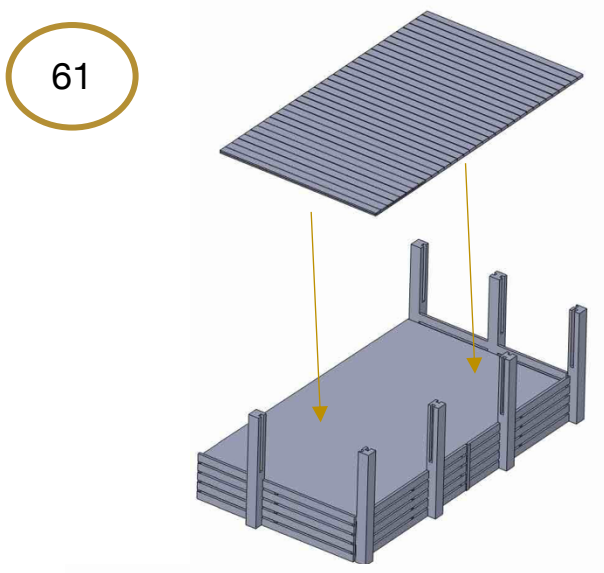
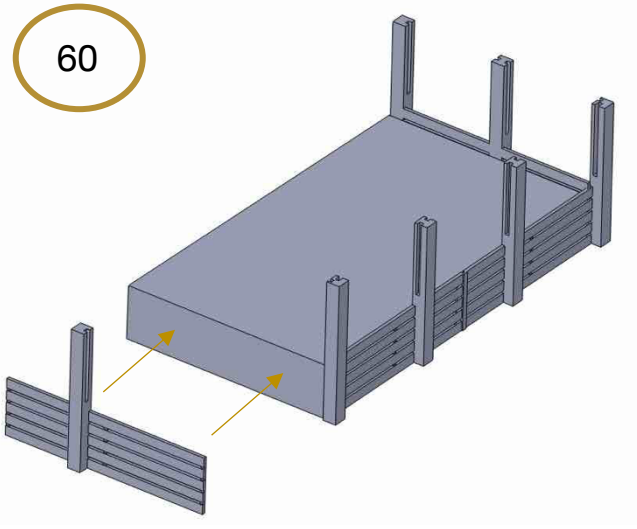


58



59





OR

(If building without decking)

