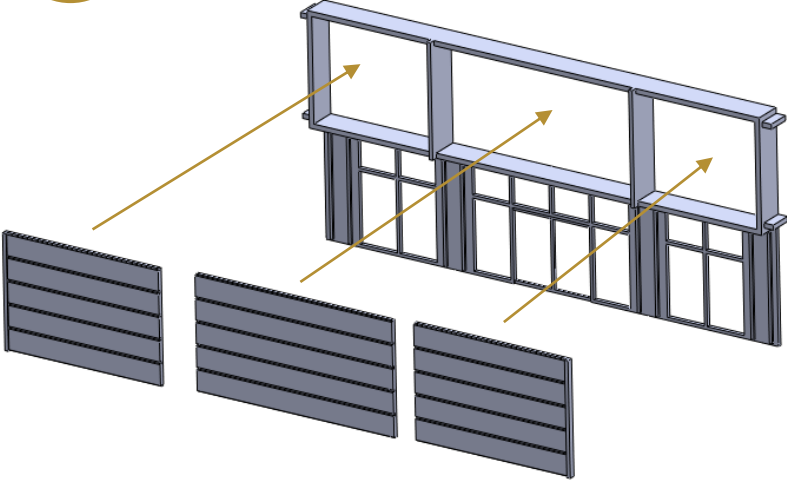
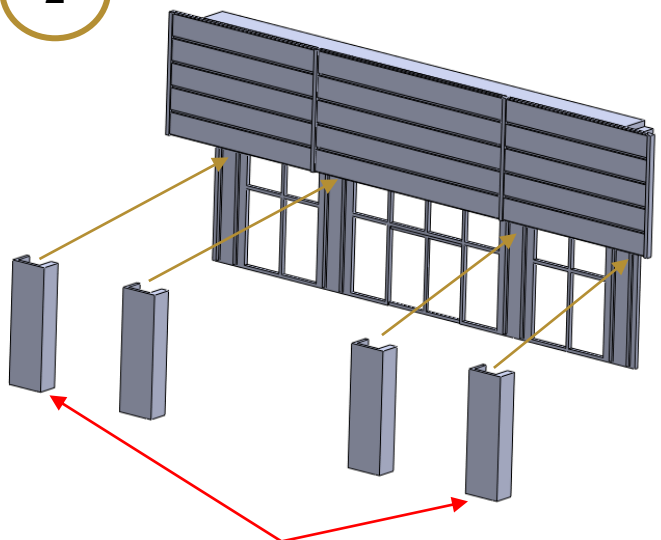


1

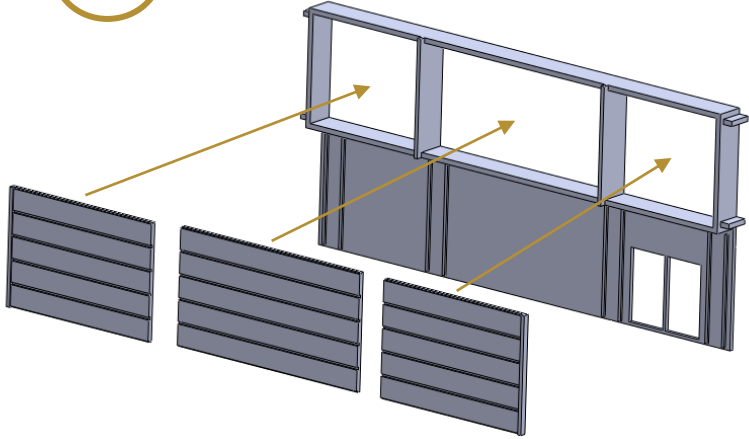


2

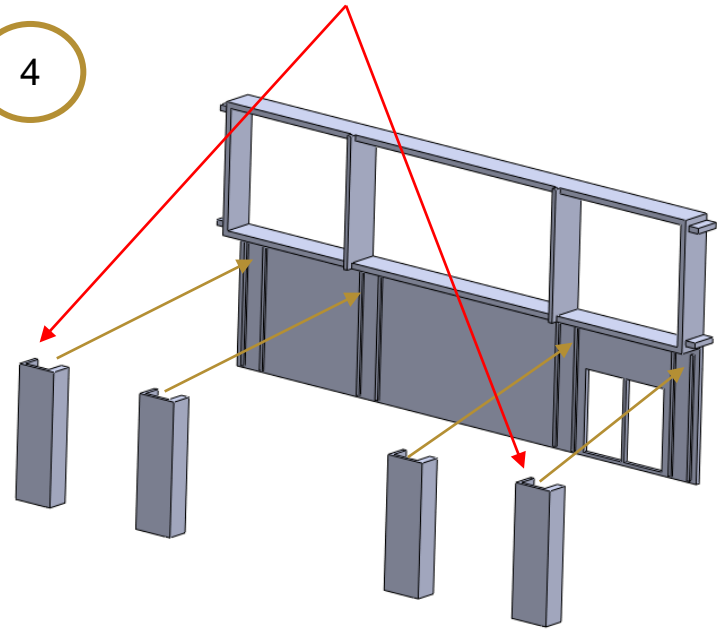


If joining multiple units together, do not apply end columns as this stage.

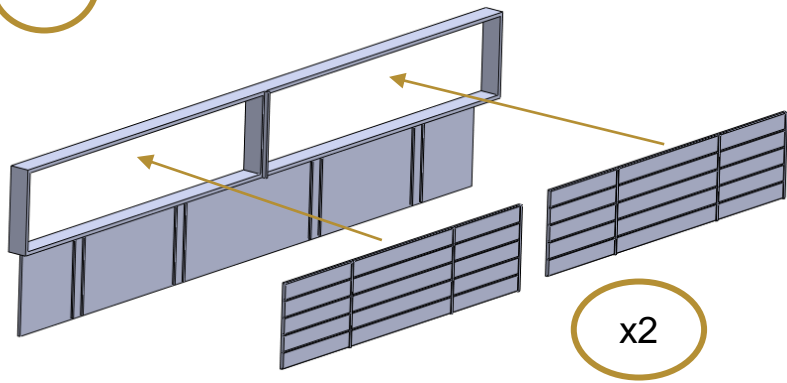
3



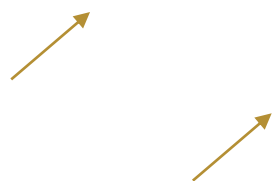
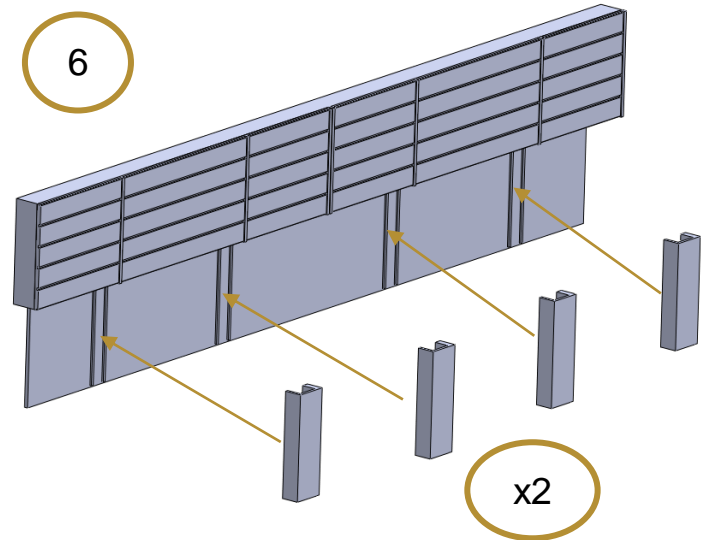
4



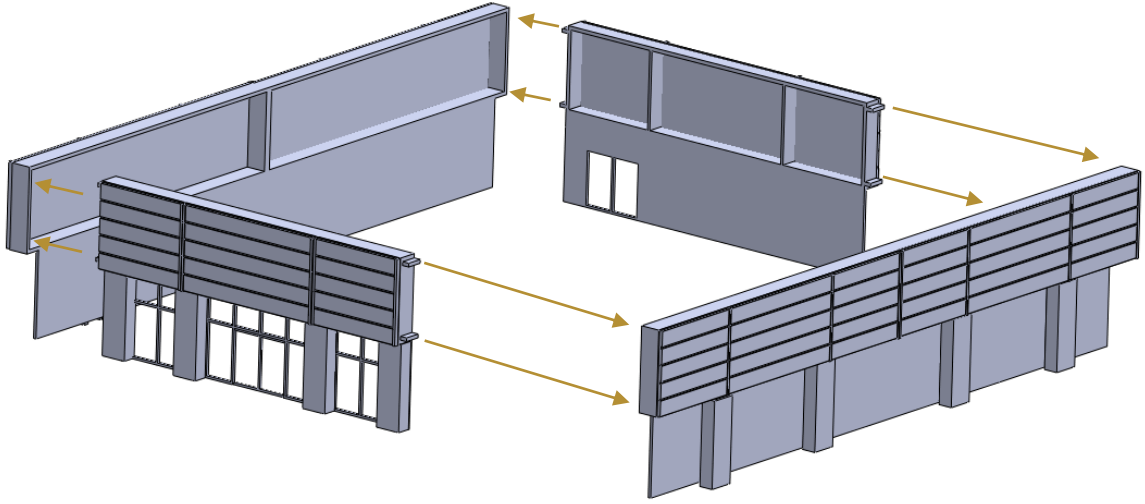
5



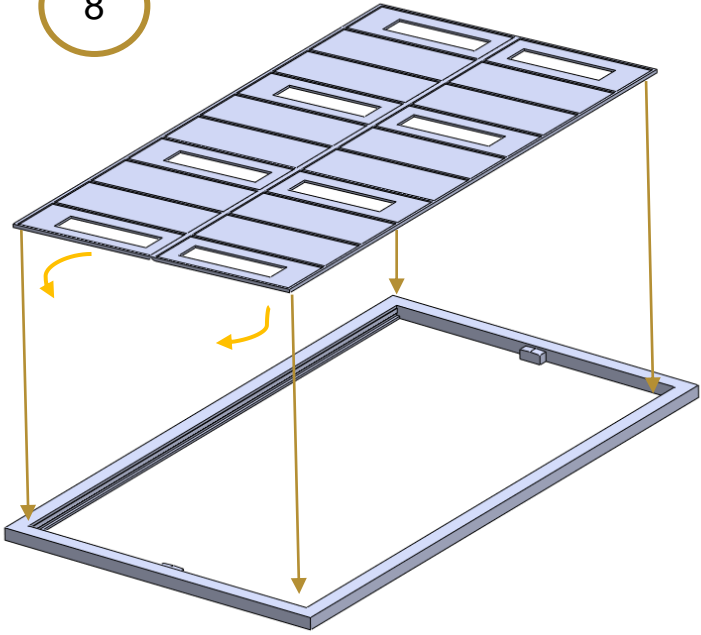
6



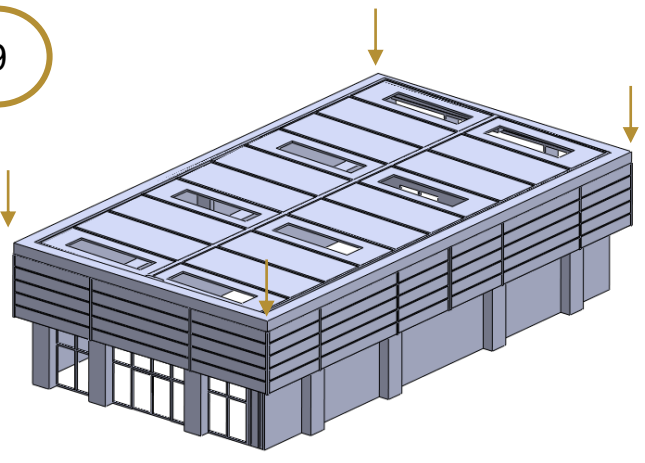
7



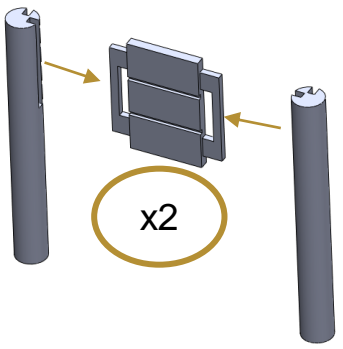
8



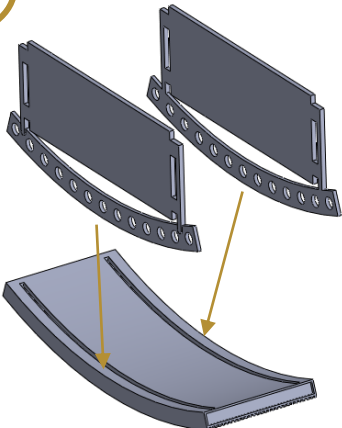
9



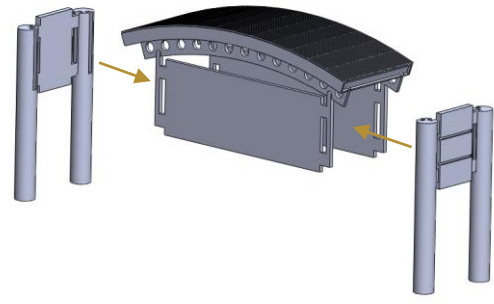
10



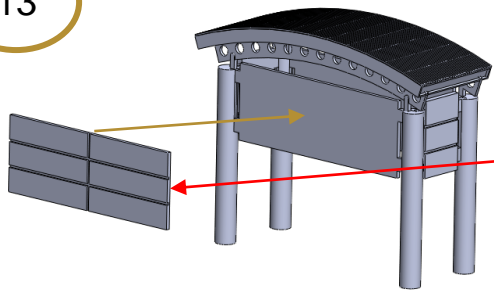
11



12



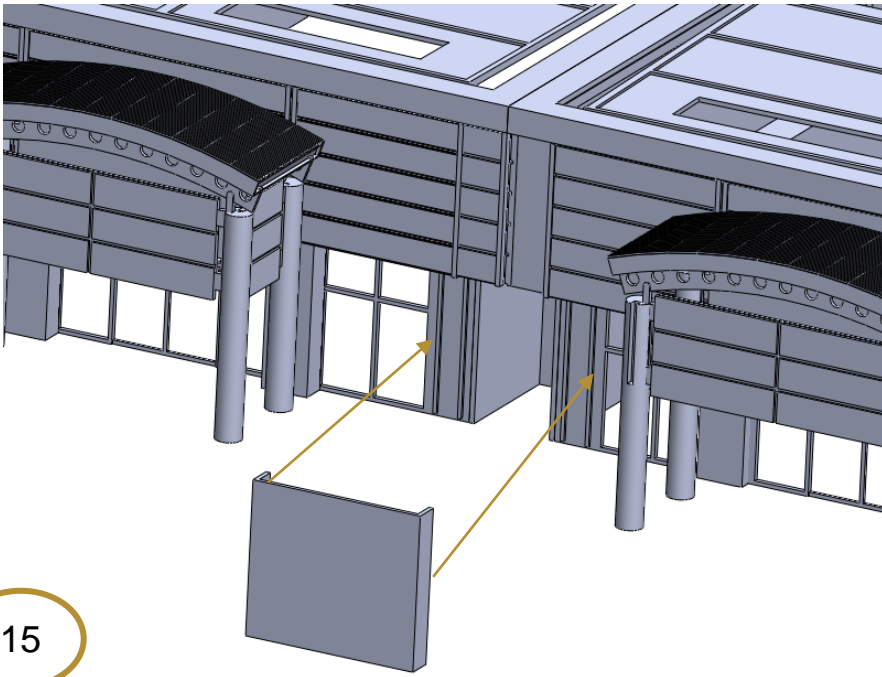
13



If applying shop signage, it may be easier to do so by not adding this panel section.

14

To join units apply join pillar at front and rear.



15



DAPR